



Ensemble™

60" x 30" Vikrell® bath, left drain
71171110



Features

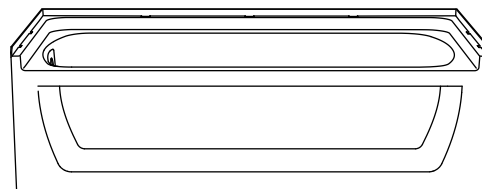
- Designed with a 16" apron
- Durable high-gloss finish provides a smooth, shiny surface that is easy to clean
- Gently sloping bath with integral apron
- 2" wainscot allows tile-down installation above bath deck
- Can be installed with wall set 71374100

Material

- Made from solid Vikrell® material for strength, durability, and lasting beauty

Recommended Products/Accessories

- K-23726 Drain treatment
- 71374100 60" x 30" Vikrell® bath/shower wall set
- 71474100 60" x 30" Vikrell® bath/shower wall set
- 71574100 60" x 30" Vikrell® bath/shower wall set



ADA

Codes/Standards

- CSA B45.5/IAPMO Z124
- ASTM E162
- ASTM E662
- ADA
- ICC/ANSI A117.1
- HUD, UM Bulletin 73

STERLING® Vikrell® or Acrylic Baths and Shower Bases Ten-Year Limited Warranty

See website for detailed warranty information.

Available Colors/Finishes

Color tiles intended for reference only.

Color Code Description

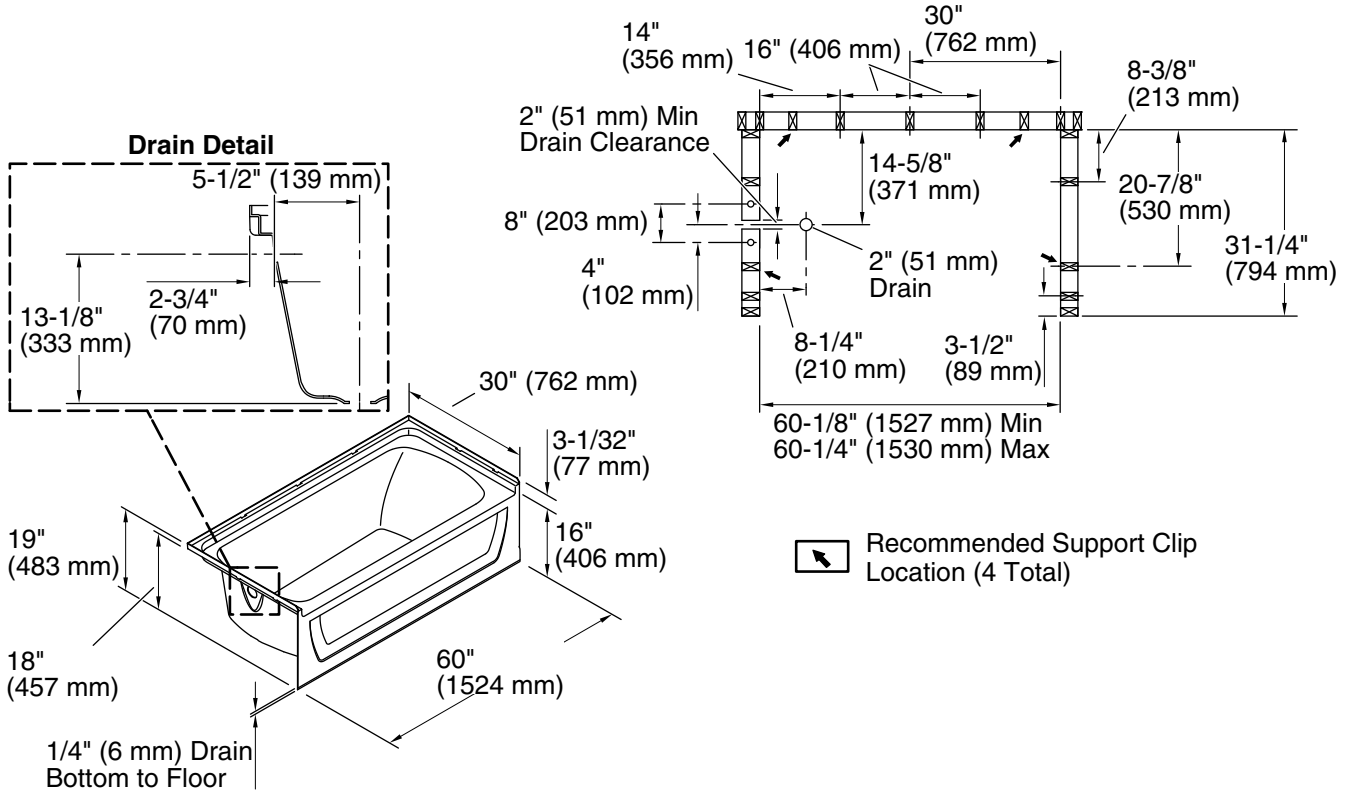
| | | |
|--|---|-------|
| | 0 | White |
|--|---|-------|

1-800-STERLING (1-800-783-7546)

Kohler Co. reserves the right to make revisions without notice to product specifications.

For the most current Specification Sheet, go to www.sterlingplumbing.com.

4-16-2026 20:03 - US/CA



Technical Information

All product dimensions are nominal.

| | |
|------------------------|------------------------------|
| Drain location: | Left |
| Basin area, bottom: | 45" x 20" (1143 mm x 508 mm) |
| Basin area, top: | 53" x 23" (1346 mm x 584 mm) |
| Water depth: | 11-1/4" (286 mm) |
| Water capacity: | 44 gal (166.6 L) |
| Minimum flat for door: | 2-3/4" (70 mm) |
| Maximum door width: | 57-11/16" (1465 mm) |

Notes

- Install this product according to the installation instructions.
- Studs should be positioned roughly as shown. Double studding is recommended for pivot shower door installations.
- ADA compliant when installed to the specific requirements of these regulations.