



**Features**

- 18-3/4" (476 mm) apron
- 3" (76 mm) drain-to-floor clearance for above-floor drain installation
- Suitable for tile-down applications
- Integral apron for quick installation

**Material**

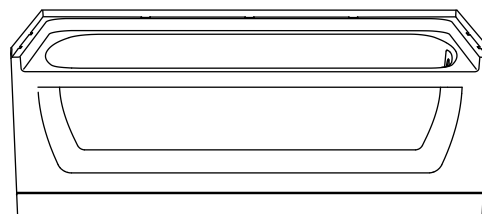
- Made from solid Vikrell® material for strength, durability, and lasting beauty

**Installation**

- Alcove
- Right drain
- Above-floor-drain (AFD) rough-in

**Recommended Products/Accessories**

- K-23726 Drain treatment
- 71374100 60" x 30" Vikrell® bath/shower wall set
- 71474100 60" x 30" Vikrell® bath/shower wall set
- 71574100 60" x 30" Vikrell® bath/shower wall set



**ADA** **OBC**

**Codes/Standards**

- CSA B45.5/IAPMO Z124
- ASTM E162
- ASTM E662
- ADA
- ICC/ANSI A117.1
- OBC
- HUD, UM Bulletin 73

**STERLING® Vikrell® or Acrylic Baths and Shower Bases Ten-Year Limited Warranty**

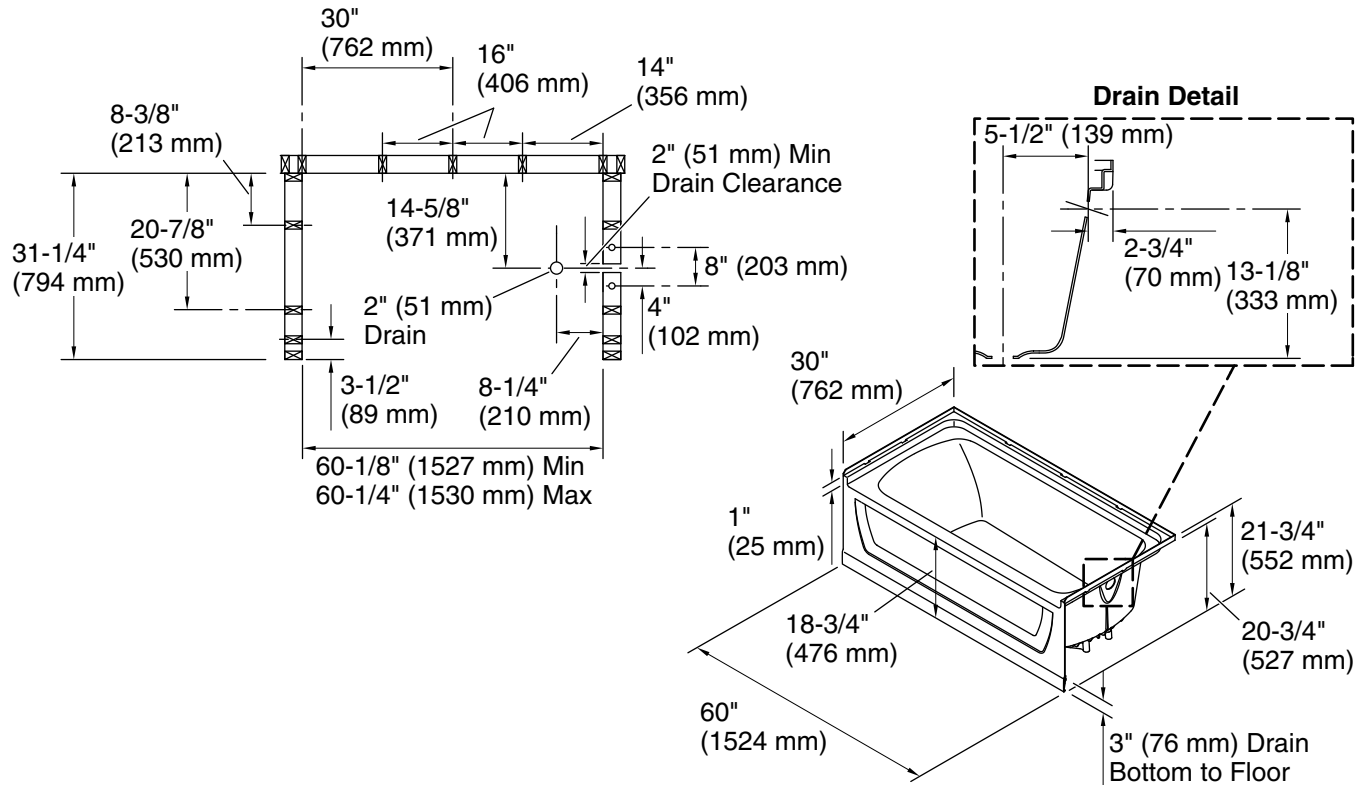
See website for detailed warranty information.

**Available Colors/Finishes**

*Color tiles intended for reference only.*

**Color Code Description**

	0	White
--	---	-------



### Technical Information

All product dimensions are nominal.

Drain location:	Right
Basin area, bottom:	45" x 20" (1143 mm x 508 mm)
Basin area, top:	53" x 23" (1346 mm x 584 mm)
Water depth:	11-1/4" (286 mm)
Water capacity:	44 gal (166.6 L)
Minimum flat for door:	2-3/4" (70 mm)
Maximum door width:	57-11/16" (1465 mm)

### Notes

Install this product according to the installation instructions.

Studs should be positioned roughly as shown. Double studding is recommended for pivot shower door installations.

Felt pad not required for installation.

ADA, OBC compliant when installed to the specific requirements of these regulations.