

Features

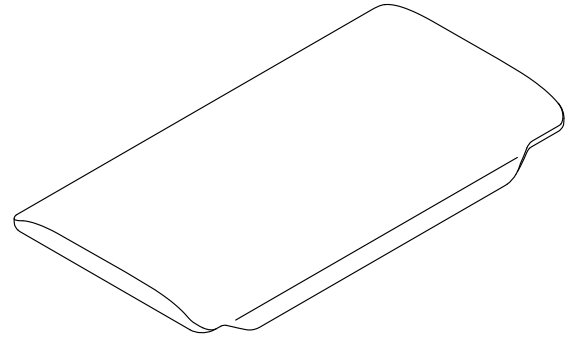
- Can be positioned anywhere within the bath or removed completely
- 28-3/8" x 16" (721 mm x 406 mm)
- Holds up to 300 lb

Material

- Roto-molded polyethylene plastic

Recommended Products/Accessories

- 71171110 60" x 30" Vikrell® bath, left drain
- 71171120 60" x 30" Vikrell® bath, right drain
- 71171112 60" x 30" Vikrell® bath, left above-floor drain
- 71171122 60" x 30" Vikrell® bath, right above-floor drain



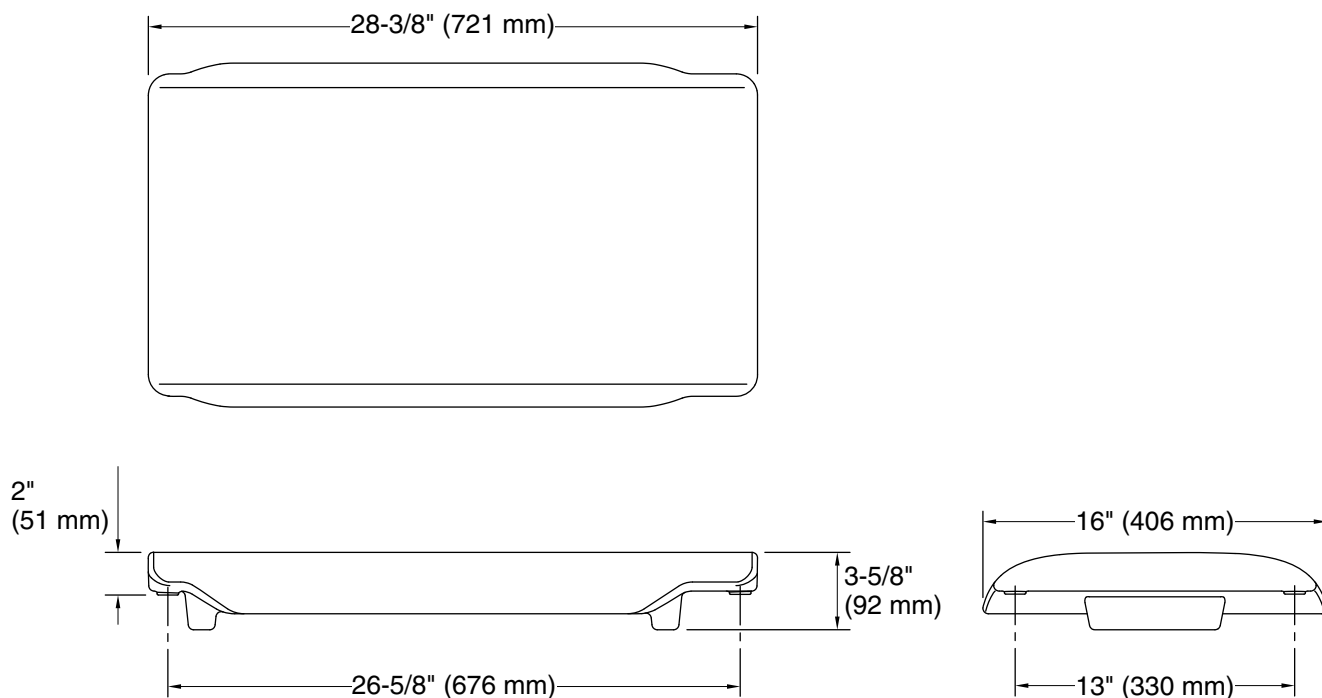
ADA

Codes/Standards

ADA
ICC/ANSI A117.1

STERLING® Non-Vikrell® Bathing & Showering Seats Ten-Year Limited Warranty

See website for detailed warranty information.



Technical Information

All product dimensions are nominal.

Pressure/fixture Supply Requirements

Notes

ADA compliant when installed to the specific requirements of these regulations.