



# Ensemble™

28-5/16" x 16" bath seat  
71177904

## Features

- For use with 30" (762 mm) wide Ensemble baths
- Can be positioned anywhere within the bath or removed completely
- 28-5/16" x 16" (719 mm x 406 mm)
- Holds up to 300 lb

## Material

- Roto-molded polyethylene plastic

## Recommended Products/Accessories

- 71171910 60" x 30" Vikrell® bath, left drain
- 71171920 60" x 30" Vikrell® bath, right drain



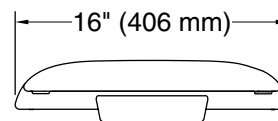
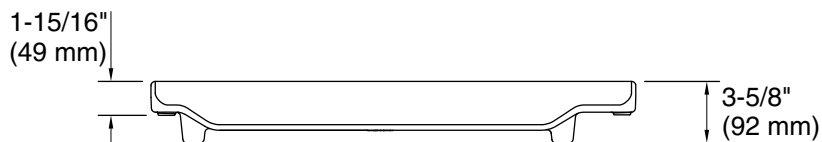
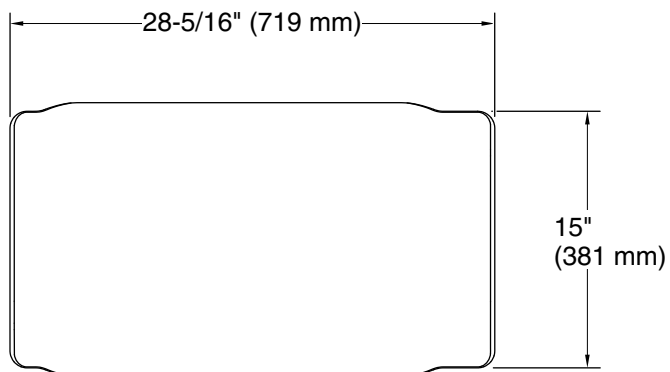
**ADA**

## Codes/Standards

ADA  
ICC/ANSI A117.1

## STERLING® Non-Vikrell® Bathing & Showering Seats Ten-Year Limited Warranty

See website for detailed warranty information.



### Technical Information

All product dimensions are nominal.

### Pressure/fixture Supply Requirements

### Notes

Install this product according to the installation guide.

ADA compliant when installed to the specific requirements of these regulations.