



Features

- Durable high-gloss finish
- Reversible drain can be installed as left- or right-hand drain
- Two optional aprons available (with and without front access panel)
- Optional flange kit available for easier conversion to alcove installation. Kit provides continuous rim support and added water containment benefits compared to nonflanged alcove installation

Material

- Made from solid Vikrell® material for strength, durability, and lasting beauty

Installation

- Drop-in

Recommended Products/Accessories

- 71268100 Bath apron
- 76268100 Bath apron with removable access panel
- 71287100 Tile-in flange kit for 60" soaking baths
- K-23726 Drain treatment



Codes/Standards

- CSA B45.5/IAPMO Z124
- ASTM E162
- ASTM E662
- HUD, UM Bulletin 73

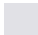
STERLING® Vikrell® or Acrylic Baths and Shower Bases Ten-Year Limited Warranty

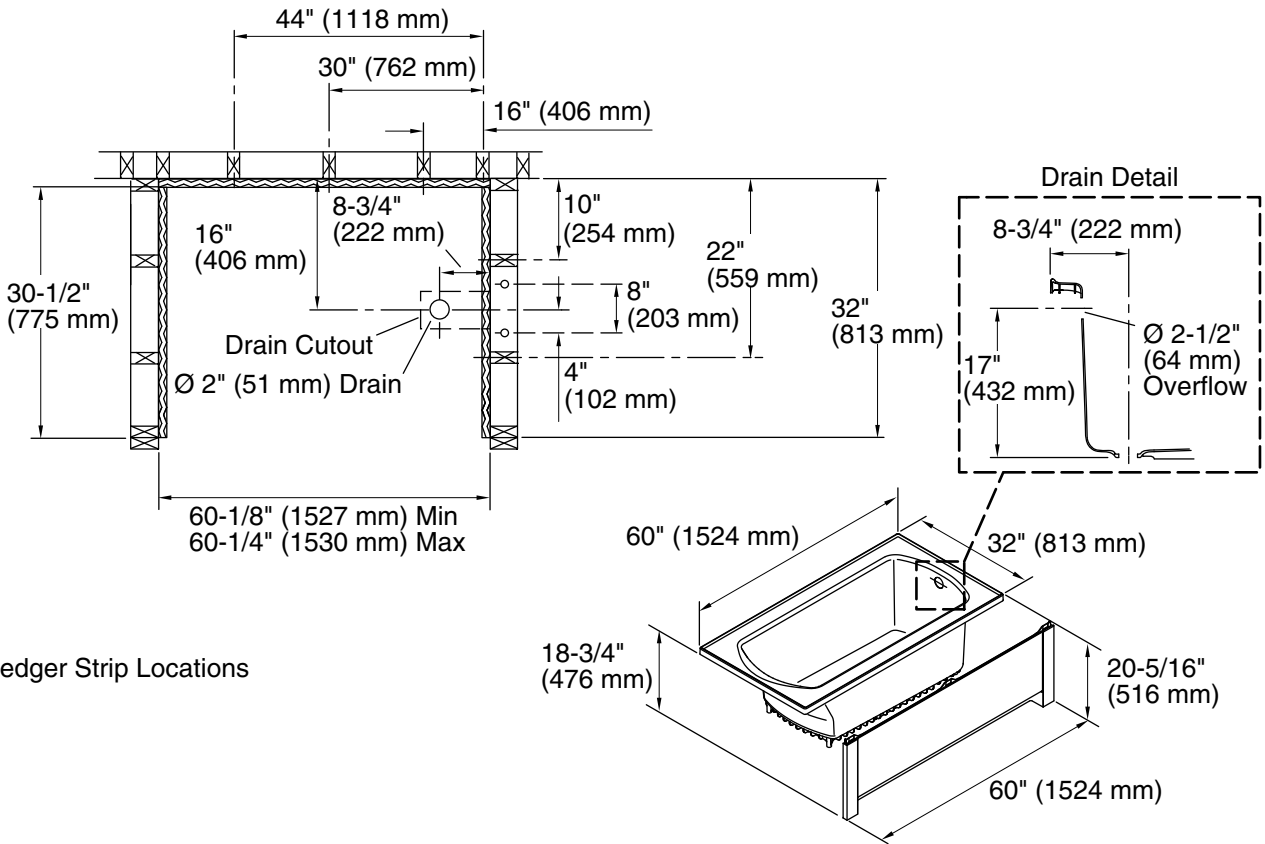
See website for detailed warranty information.

Available Colors/Finishes

Color tiles intended for reference only.

Color Code Description

	0	White
---	---	-------



Technical Information

All product dimensions are nominal.

- Drain location: Reversible
- Basin area, bottom: 44" x 21-1/2" (1118 mm x 546 mm)
- Basin area, top: 51" x 22-3/4" (1295 mm x 578 mm)
- Water depth: 15-1/4" (387 mm)
- Water capacity: 51 gal (193.1 L)
- Maximum door width: 60" (1524 mm)

Notes

- Install this product according to the installation instructions.
- Studs should be positioned roughly as shown.