



**Features**

- 20" bath depth
- Durable high-gloss finish
- Reversible drain can be installed as left- or right-hand drain
- Two optional aprons available (with and without front access panel)
- Optional flange kit available for easier conversion to alcove installation. Kit provides continuous rim support and added water containment benefits compared to nonflanged alcove installation

**Material**

- Made from solid Vikrell® material for strength, durability, and lasting beauty

**Installation**

- Drop-in

**Recommended Products/Accessories**

- 71268100 Bath apron
- 76268100 Bath apron with removable access panel
- K-23726 Drain treatment



**Codes/Standards**

- CSA B45.5/IAPMO Z124
- ASTM E162
- ASTM E662
- HUD, UM Bulletin 73

**STERLING® Vikrell® or Acrylic Baths and Shower Bases Ten-Year Limited Warranty**

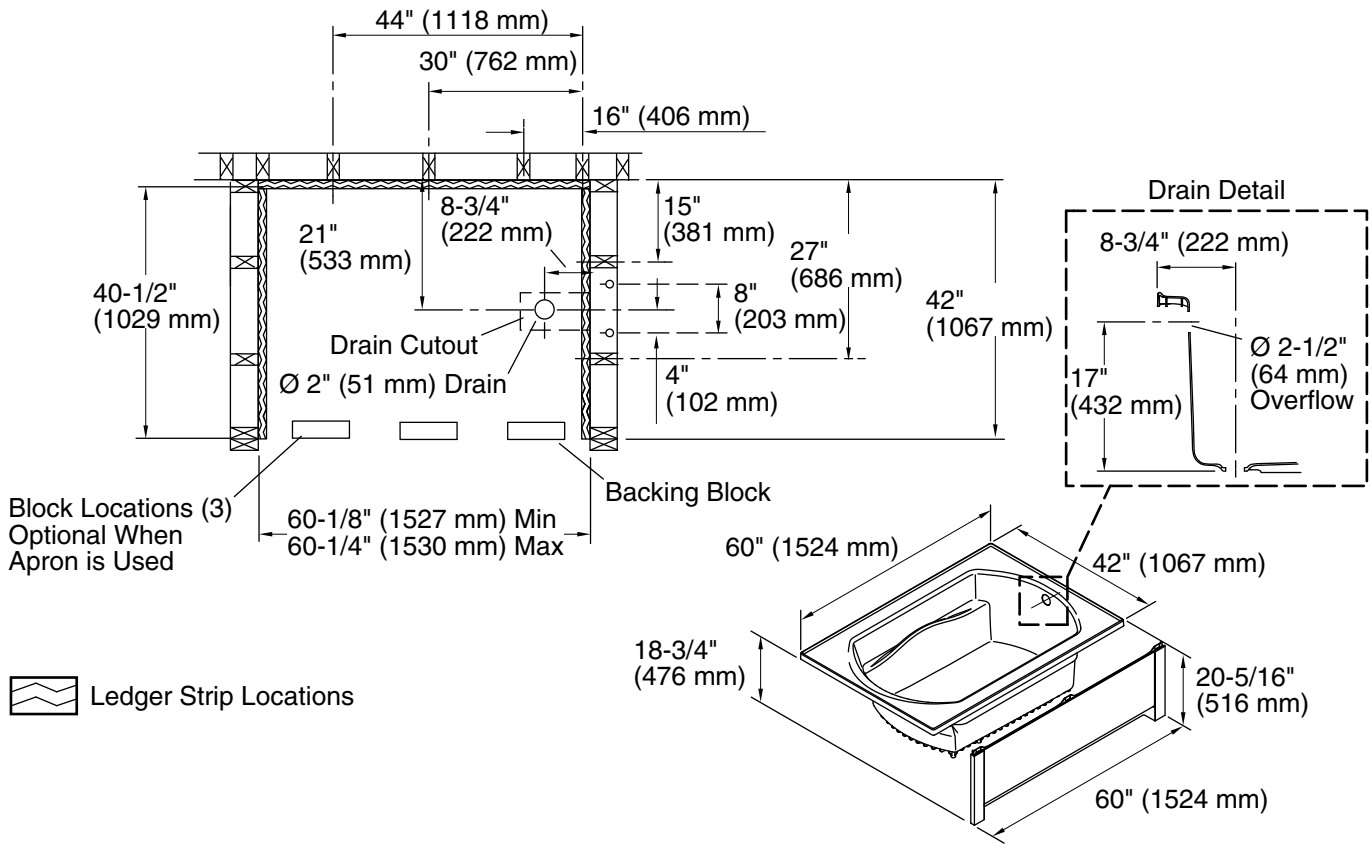
See website for detailed warranty information.

**Available Colors/Finishes**

*Color tiles intended for reference only.*

**Color Code Description**

	0	White
--	---	-------



**Technical Information**

All product dimensions are nominal.

Drain location:	Reversible
Basin area, bottom:	44" x 25-3/4" (1118 mm x 654 mm)
Basin area, top:	51" x 32-3/4" (1295 mm x 832 mm)
Water depth:	15-1/4" (387 mm)
Water capacity:	68 gal (257.4 L)
Maximum door width:	60" (1524 mm)

**Notes**

Install this product according to the installation instructions.  
Studs should be positioned roughly as shown.  
Double studding is recommended for pivot shower door installations.