



Lawson®

72" x 36" Vikrell® drop-in bath
71301100



Features

- 20" bath depth
- Durable high-gloss finish
- Reversible drain can be installed as left- or right-hand drain

Material

- Compression-molded from our exclusive solid Vikrell® material

Installation

- Drop-in

Recommended Products/Accessories

- 80001012 12" straight grab bar
- 80001018 18" straight grab bar
- 80001024 24" straight grab bar
- K-23726 Drain treatment



Codes/Standards

- CSA B45.5/IAPMO Z124
- ASTM E162
- ASTM E662
- HUD, UM Bulletin 73


STERLING® Vikrell® or Acrylic Baths and Shower Bases Ten-Year Limited Warranty

See website for detailed warranty information.

Available Colors/Finishes

Color tiles intended for reference only.

Color Code Description

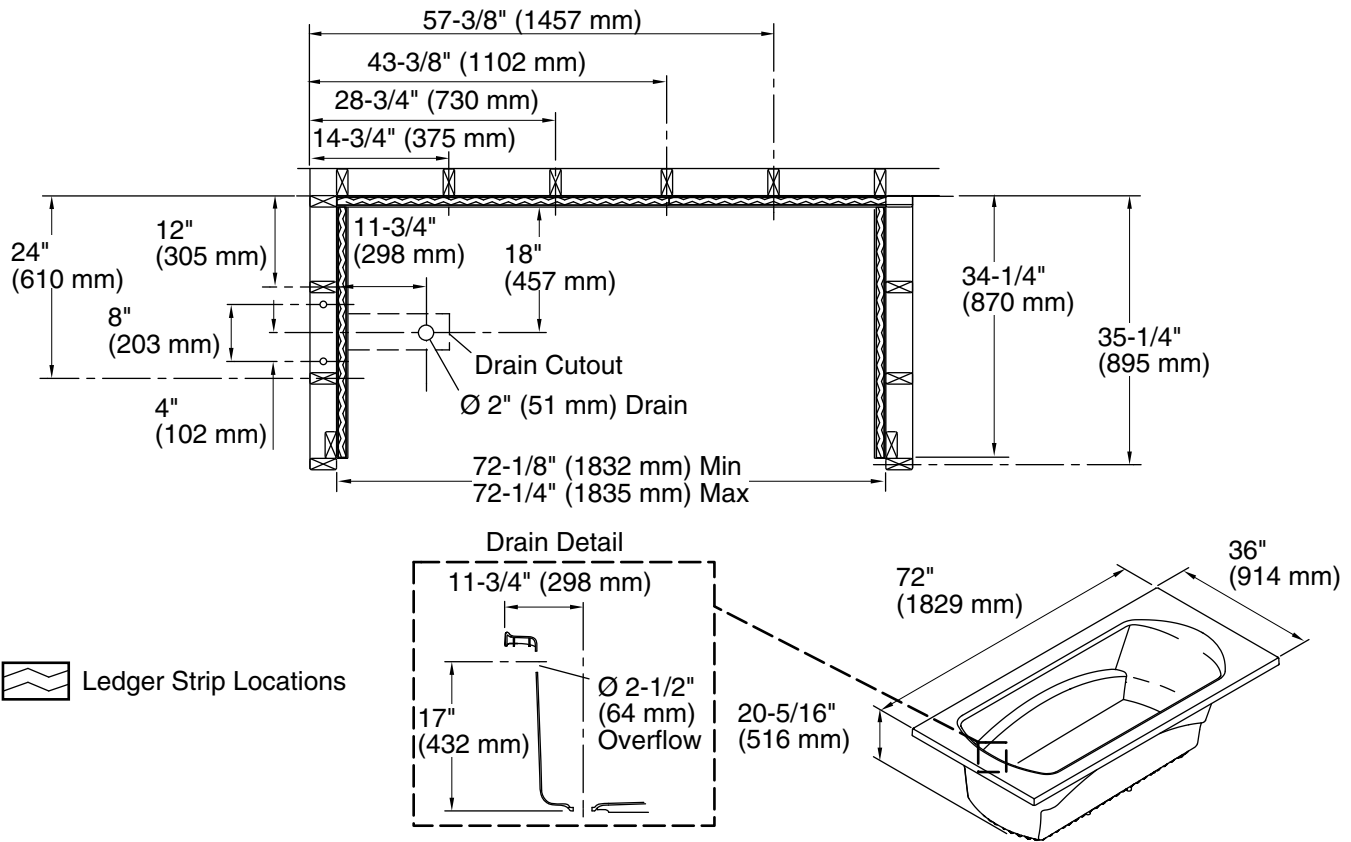
| | | |
|---|---|-------|
|  | 0 | White |
|---|---|-------|

1-800-STERLING (1-800-783-7546)

Kohler Co. reserves the right to make revisions without notice to product specifications.

For the most current Specification Sheet, go to www.sterlingplumbing.com.

3-21-2026 19:38 - US/CA



Technical Information

- All product dimensions are nominal.
- Drain location: Reversible
- Basin area, bottom: 50-3/8" x 21-3/4" (1280 mm x 552 mm)
- Basin area, top: 58-1/4" x 27" (1480 mm x 686 mm)
- Weight: 23 lbs (10.4 kg)
- Water depth: 15-1/4" (387 mm)
- Water capacity: 68 gal (257.4 L)

Notes

Install this product according to the installation instructions.