



# Performa™ 2

60" x 29" Vikrell® alcove bath, right drain  
71341120



### Features

- Durable high-gloss finish
- 15" (381 mm) bath depth (floor to top of threshold)
- Integral apron creates a clean, finished look
- Innovative 1/2" (12.7 mm) step flange provides superior water containment for installation with tile or Vikrell® wall sets
- Complements traditional and contemporary bathroom designs
- Compatible with 7134 Series Performa 2 wall sets

### Material

- Compression-molded from our exclusive solid Vikrell® material

### Installation

- Alcove
- Right drain

### Recommended Products/Accessories

- K-23726 Drain treatment
- 71344000 60" x 29" bath/shower wall set



ADA

### Codes/Standards

- CSA B45.5/IAPMO Z124
- ASTM E162
- ASTM E662
- ADA
- ICC/ANSI A117.1

### STERLING® Vikrell® or Acrylic Baths and Shower Bases Ten-Year Limited Warranty

See website for detailed warranty information.

### Available Colors/Finishes

*Color tiles intended for reference only.*

#### Color Code Description

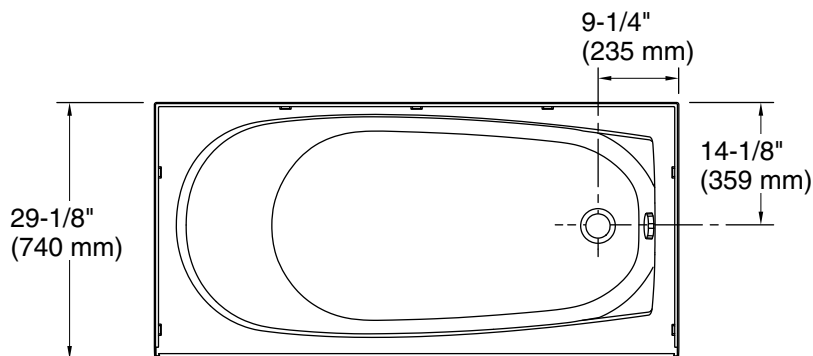
	0	White
--	---	-------

1-800-STERLING (1-800-783-7546)

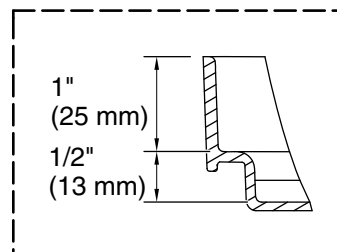
Kohler Co. reserves the right to make revisions without notice to product specifications.

For the most current Specification Sheet, go to [www.sterlingplumbing.com](http://www.sterlingplumbing.com).

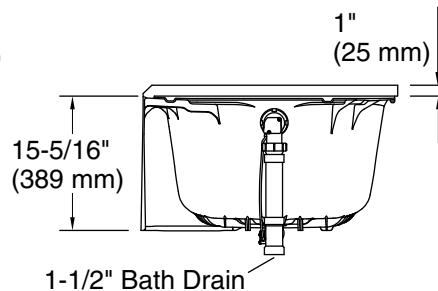
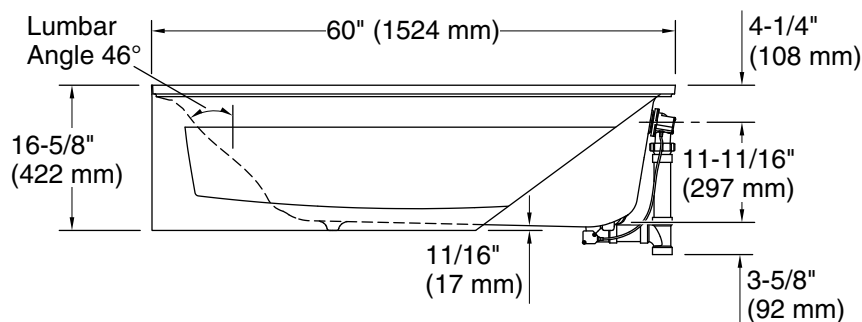
4-10-2026 22:42 - US/CA



No change in measurements if connected with drain illustrated. (K-7213)



**Integral Flange Detail**



**Technical Information**

All product dimensions are nominal.

Drain location:	Right
Basin area, bottom:	39" x 21" (991 mm x 533 mm)
Basin area, top:	53" x 24" (1346 mm x 610 mm)
Weight:	45 lbs (20.4 kg)
Water depth:	9-3/4" (248 mm)
Water capacity:	35 gal (132.5 L)
Minimum flat for door:	1-3/4" (44 mm)

**Notes**

Install this product according to the installation instructions.  
ADA compliant when installed to the specific requirements of these regulations.