



Forum™

60" x 30" Vikrell® alcove bath, left drain
71601110



Features

- Deep rectangular bath with modern aesthetic
- Durable high-gloss finish provides a smooth, shiny surface that is easy to clean
- Integral lumbar support
- Integral flat apron with minimalist design
- Integral flange provides superior water containment and simplifies alcove installation
- Textured bottom surface

Material

- Made from solid Vikrell® material for strength, durability, and lasting beauty

Installation

- Alcove
- Left drain

Recommended Products/Accessories

- 71374100 60" x 30" Vikrell® bath/shower wall set (Qty 2)
- 71474100 60" x 30" Vikrell® bath/shower wall set (Qty 2)
- 71574100 60" x 30" Vikrell® bath/shower wall set (Qty 2)
- 71607104 16" x 22" bath seat



Codes/Standards

- CSA B45.5/IAPMO Z124
- ASTM E162
- ASTM E662
- ADA
- ICC/ANSI A117.1

STERLING® Vikrell® or Acrylic Baths and Shower Bases Ten-Year Limited Warranty

See website for detailed warranty information.

Available Colors/Finishes

Color tiles intended for reference only.

Color Code Description

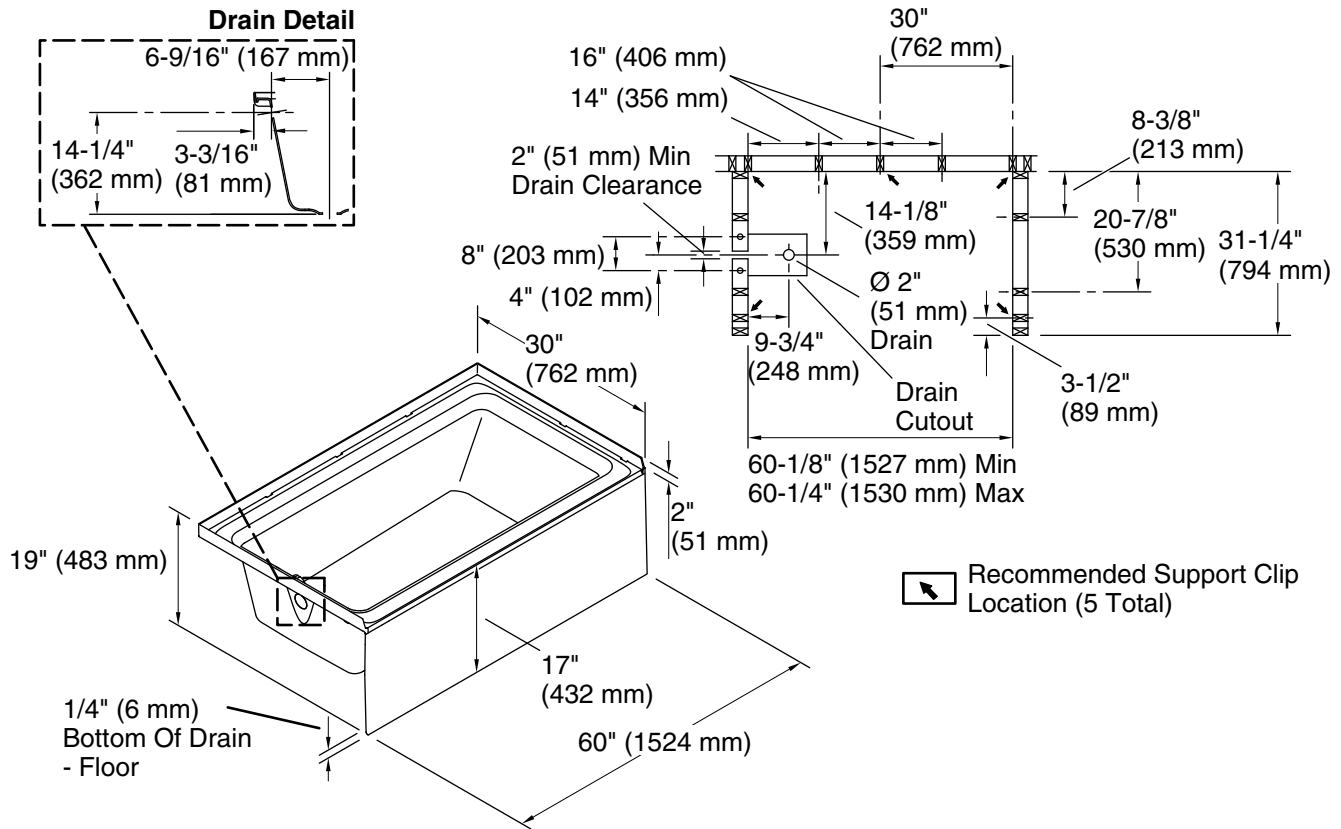
	0	White
---	---	-------

1-800-STERLING (1-800-783-7546)

Kohler Co. reserves the right to make revisions without notice to product specifications.

For the most current Specification Sheet, go to www.sterlingplumbing.com.

4-4-2026 20:03 - US



Technical Information

All product dimensions are nominal.

- Drain location: Left
- Basin area, bottom: 44" x 20" (1118 mm x 508 mm)
- Basin area, top: 53" x 22-1/2" (1346 mm x 572 mm)
- Weight: 55 lbs (24.9 kg)
- Water depth: 12-1/4" (311 mm)
- Water capacity: 48.9 gal (185.1 L)
- Minimum flat for door: 2-3/4" (70 mm)

Notes

- Install this product according to the installation instructions.
- ADA compliant when installed to the specific requirements of these regulations.