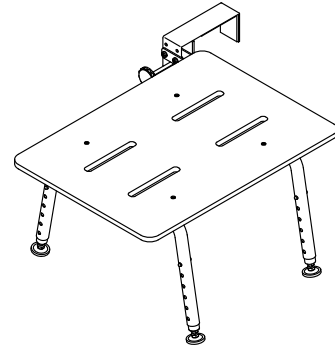


Features

- 16" x 22" (406 x 559 mm) bath seat with telescoping legs and nonslip feet
- Bath seat clamps securely to bath
- Nonmarring contact points won't scratch bath
- Seat fits entirely within bath, permitting water to drain back into bath
- Can be positioned anywhere within the bath or removed completely
- Holds up to 300 lb
- For use with STERLING® Forum baths

Material

- Resin composite
- Stainless steel



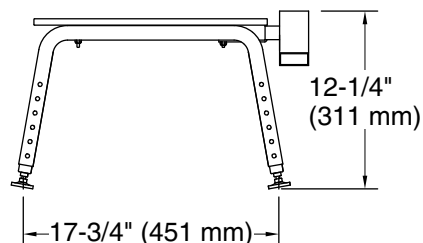
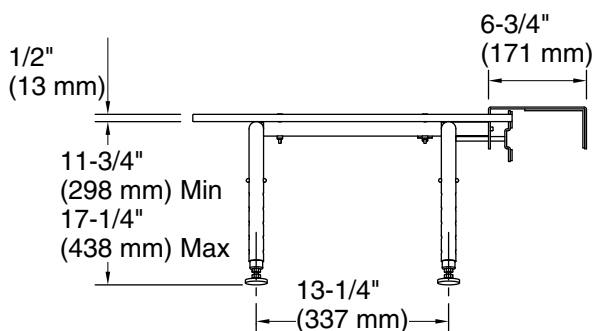
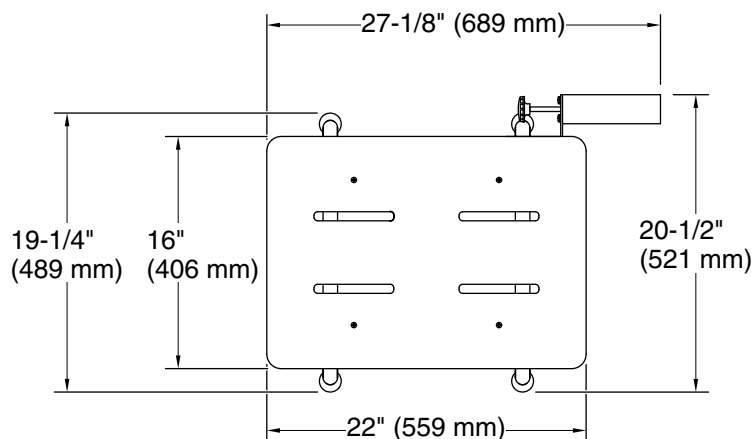
ADA

Codes/Standards

ADA
ICC/ANSI A117.1

STERLING® Non-Vikrell® Bathing & Showering Seats Ten-Year Limited Warranty

See website for detailed warranty information.



Technical Information

All product dimensions are nominal.

Pressure/fixture Supply Requirements

Notes

Install this product according to the installation instructions.

ADA compliant when installed to the specific requirements of these regulations.