



**Forum™**

60" x 32" Vikrell® alcove bath, left drain  
**71611110**



**Features**

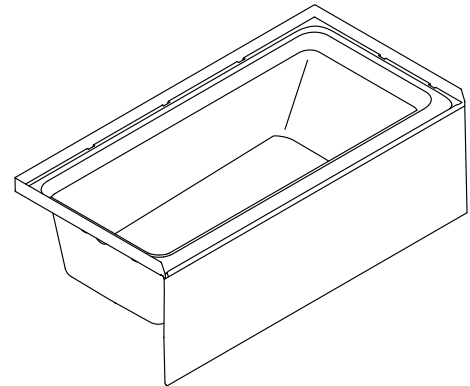
- Deep rectangular bath with modern aesthetic
- Durable high-gloss finish provides a smooth, shiny surface that is easy to clean
- Integral lumbar support
- Integral flat apron with minimalist design
- Integral flange provides superior water containment and simplifies alcove installation
- Textured bottom surface

**Material**

- Made from solid Vikrell® material for strength, durability, and lasting beauty

**Installation**

- Alcove
- Left drain



**Recommended Products/Accessories**

- 71224100 60" x 32" Vikrell® bath/shower wall set
- 71324100 60" x 32" Vikrell® bath/shower wall set
- 71424100 60" x 32" Vikrell® bath/shower wall set
- 71524100 60" x 32" Vikrell® bath/shower wall set
- 71607104 16" x 22" bath seat
- 71374100 60" x 30" Vikrell® bath/shower wall set
- 71474100 60" x 30" Vikrell® bath/shower wall set
- 71574100 60" x 30" Vikrell® bath/shower wall set



**Codes/Standards**

- CSA B45.5/IAPMO Z124
- ASTM E162
- ASTM E662
- ADA
- ICC/ANSI A117.1

**STERLING® Vikrell® or Acrylic Baths and Shower Bases Ten-Year Limited Warranty**

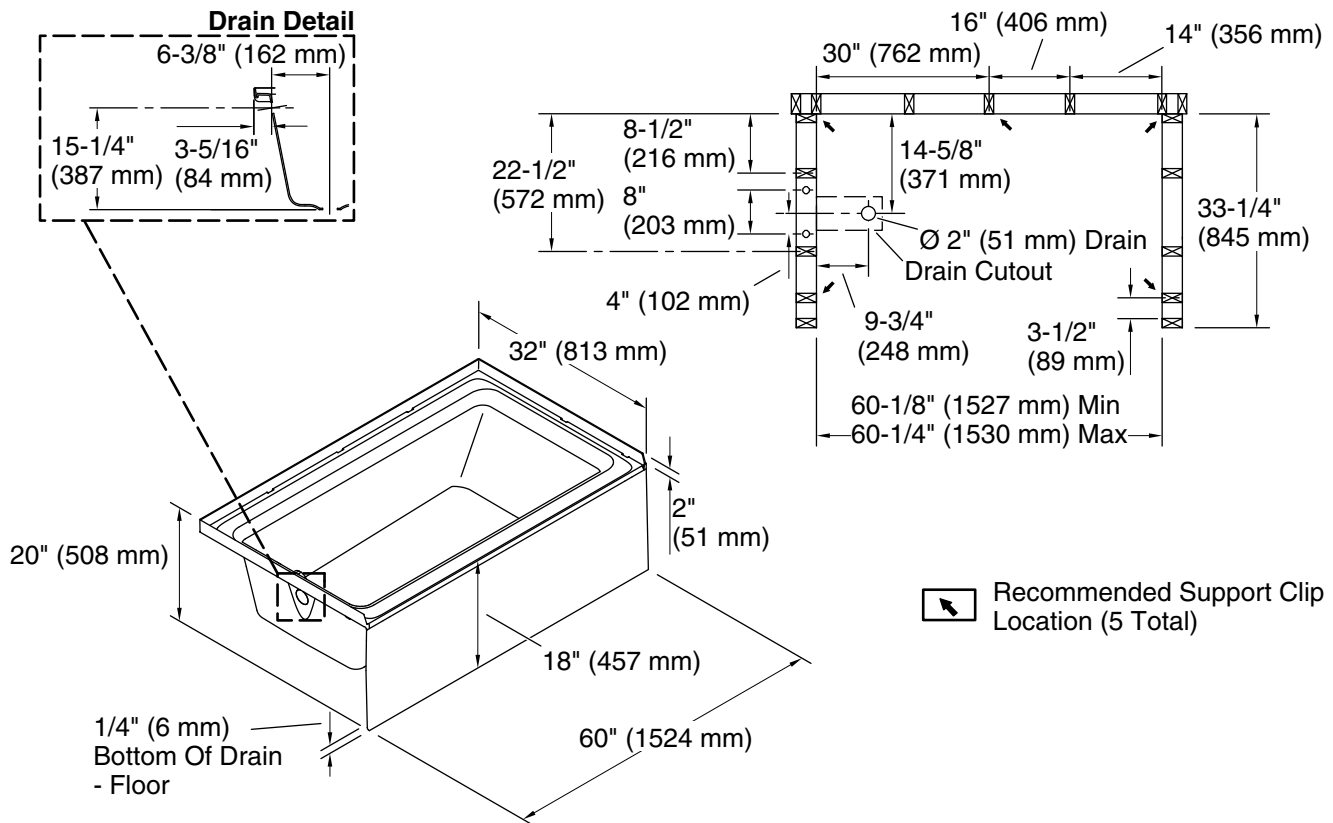
See website for detailed warranty information.

**Available Colors/Finishes**

*Color tiles intended for reference only.*

**Color Code Description**

	0	White
--	---	-------



### Technical Information

All product dimensions are nominal.

Drain location:	Left
Basin area, bottom:	44" x 20" (1118 mm x 508 mm)
Basin area, top:	53" x 24-1/2" (1346 mm x 622 mm)
Weight:	58.8 lbs (26.7 kg)
Water depth:	13-1/4" (337 mm)
Water capacity:	55.8 gal (211.2 L)
Minimum flat for door:	2-3/4" (70 mm)

### Notes

Install this product according to the installation instructions.

ADA compliant when installed to the specific requirements of these regulations.