



**Forum™**

60" x 36" Vikrell® alcove bath, left drain  
**71621110**



**Features**

- Deep rectangular bath with modern aesthetic
- Durable high-gloss finish provides a smooth, shiny surface that is easy to clean
- Integral lumbar support
- Integral flat apron with minimalist design
- Integral flange provides superior water containment and simplifies alcove installation
- Textured bottom surface

**Material**

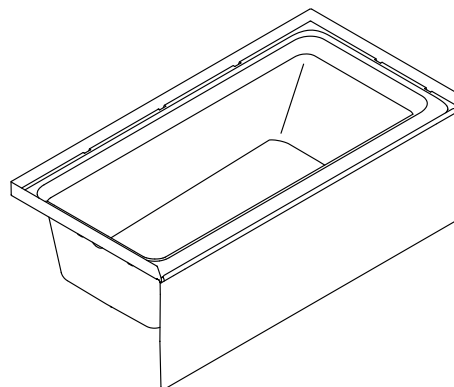
- Made from solid Vikrell® material for strength, durability, and lasting beauty

**Installation**

- Alcove
- Left drain

**Recommended Products/Accessories**

- 71607104 16" x 22" bath seat
- 71504100 60" x 36" Vikrell® bath/shower wall set



**Codes/Standards**

- CSA B45.5/IAPMO Z124
- ASTM E162
- ASTM E662
- ADA
- ICC/ANSI A117.1

**STERLING® Vikrell® or Acrylic Baths and Shower Bases Ten-Year Limited Warranty**

See website for detailed warranty information.

**Available Colors/Finishes**

*Color tiles intended for reference only.*

**Color Code Description**

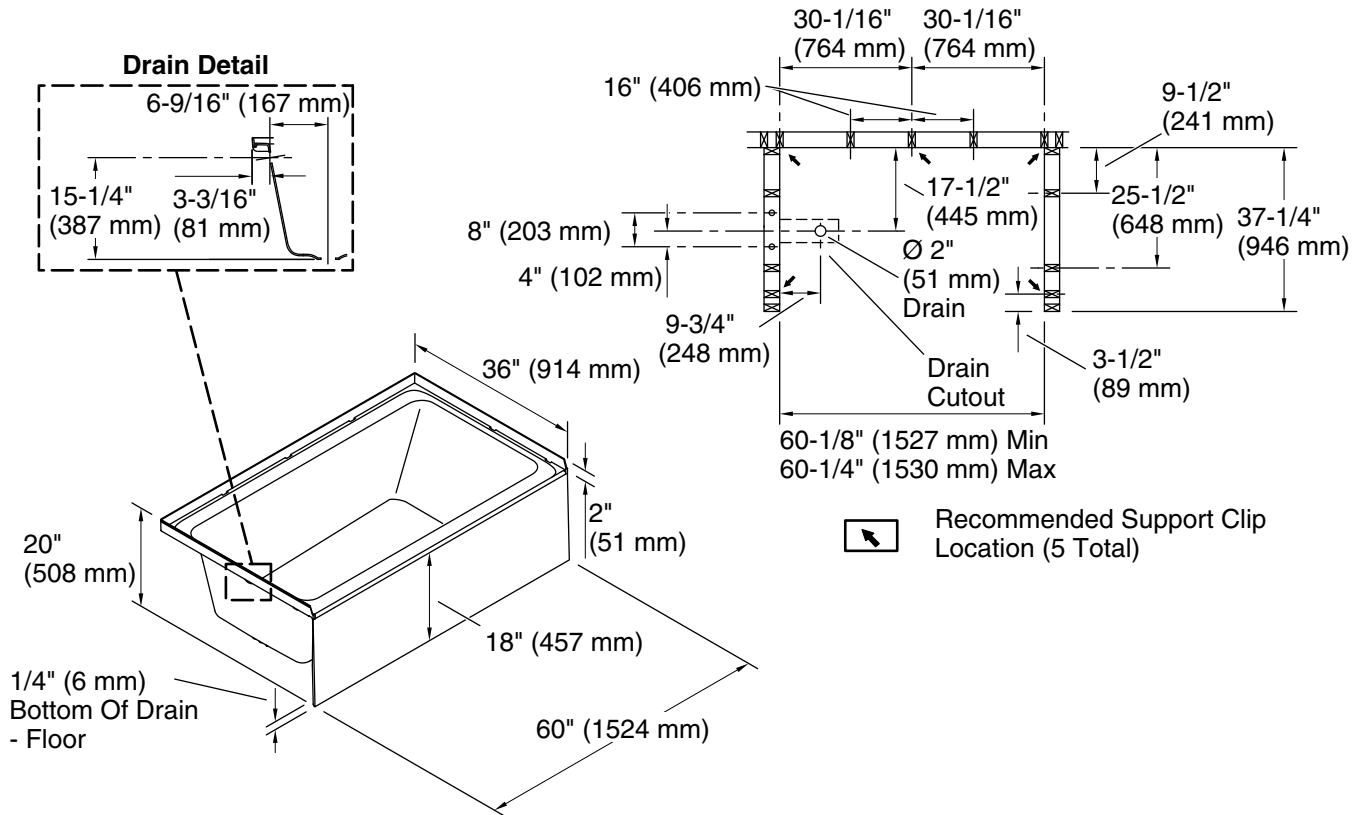
	0	White
--	---	-------

1-800-STERLING (1-800-783-7546)

Kohler Co. reserves the right to make revisions without notice to product specifications.

For the most current Specification Sheet, go to [www.sterlingplumbing.com](http://www.sterlingplumbing.com).

4-27-2026 13:30 - US



**Technical Information**

All product dimensions are nominal.

- Drain location: Left
- Basin area, bottom: 44" x 22" (1118 mm x 559 mm)
- Basin area, top: 53" x 26-1/2" (1346 mm x 673 mm)
- Weight: 63 lbs (28.6 kg)
- Water depth: 13-1/4" (337 mm)
- Water capacity: 61 gal (230.9 L)
- Minimum flat for door: 3" (76 mm)

**Notes**

- Install this product according to the installation instructions.
- ADA compliant when installed to the specific requirements of these regulations.