



# 60" x 36" above-floor-drain Vikrell® alcove bath, right drain

## Forum™

### 71621122



#### Features

- Deep rectangular bath with modern aesthetic
- Durable high-gloss finish provides a smooth, shiny surface that is easy to clean
- Integral lumbar support
- Integral flat apron with minimalist design
- Integral flange provides superior water containment and simplifies alcove installation
- Textured bottom surface

#### Material

- Made from solid Vikrell® material for strength, durability, and lasting beauty

#### Installation

- Alcove
- Right drain
- Above-floor-drain (AFD) rough-in

#### Recommended Products/Accessories

- 71504100 60" x 36" Vikrell® bath/shower wall set (Qty 2)
- 71607104 16" x 22" bath seat



ADA

#### Codes/Standards

- CSA B45.5/IAPMO Z124
- ASTM E162
- ASTM E662
- ADA
- ICC/ANSI A117.1

#### STERLING® Vikrell® or Acrylic Baths and Shower Bases Ten-Year Limited Warranty

See website for detailed warranty information.

#### Available Colors/Finishes

*Color tiles intended for reference only.*

#### Color Code Description

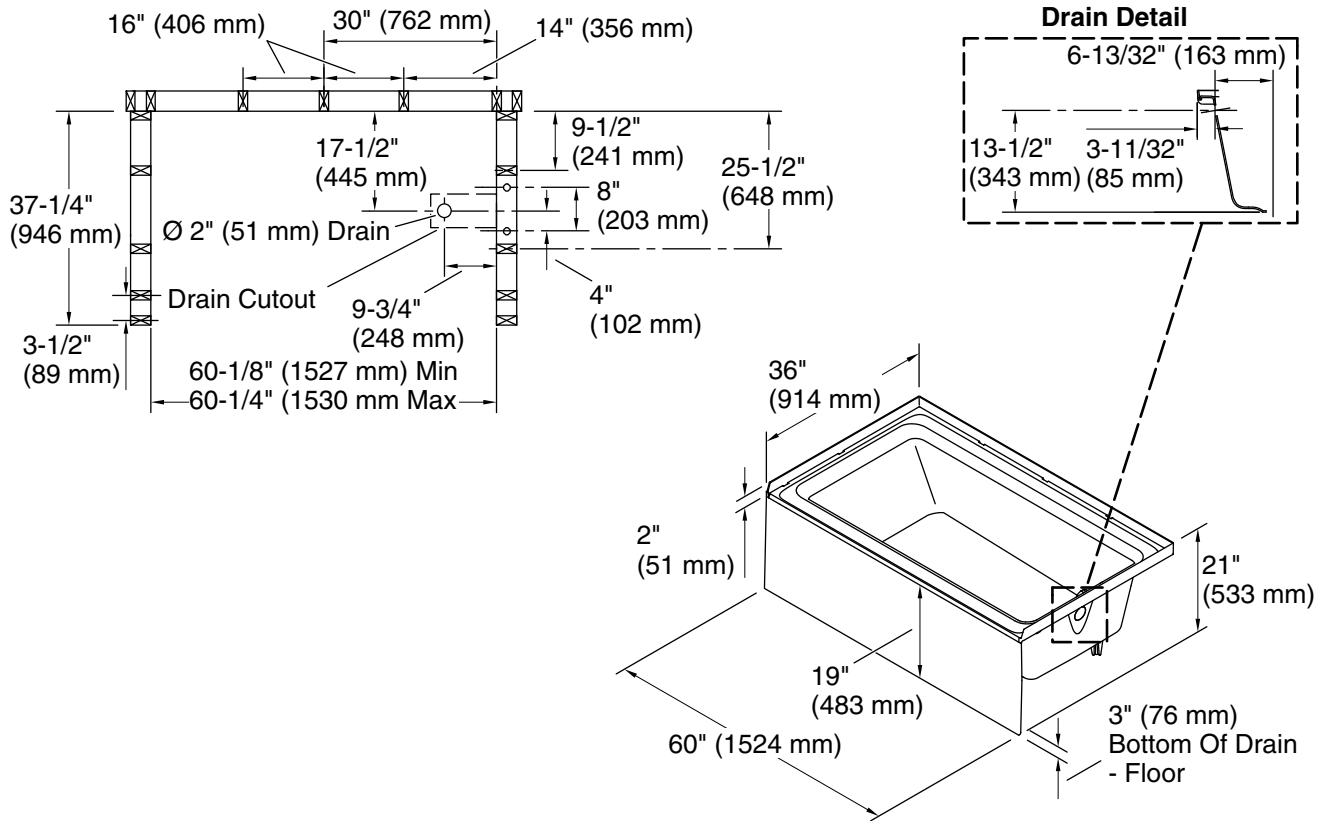
	0	White
--	---	-------

1-800-STERLING (1-800-783-7546)

Kohler Co. reserves the right to make revisions without notice to product specifications.

For the most current Specification Sheet, go to [www.sterlingplumbing.com](http://www.sterlingplumbing.com).

4-29-2026 20:15 - US/CA



**Technical Information**

All product dimensions are nominal.

Drain location:	Right
Basin area, bottom:	45" x 22-1/2" (1143 mm x 572 mm)
Basin area, top:	53" x 26-1/2" (1346 mm x 673 mm)
Weight:	64.12 lbs (29.1 kg)
Water depth:	11-1/2" (292 mm)
Water capacity:	53.3 gal (201.8 L)
Minimum flat for door:	3" (76 mm)

**Notes**

Install this product according to the installation instructions.

ADA compliant when installed to the specific requirements of these regulations.