



Ensemble™

60" x 30" Vikrell® shower base, left drain
72171110



Features

- 4" threshold
- Durable high-gloss finish with molded-in textured floor
- Suitable for tile-down applications
- Compatible with Ensemble walls (series 7217)
- Innovative Dry-Block™ seal and channeled water containment system form watertight seams
- 1" (25 mm) weep channels redirect water into the base, providing superior water containment

Material

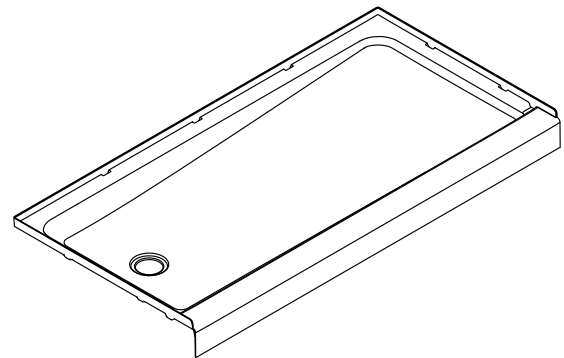
- Made from solid Vikrell® material for strength, durability, and lasting beauty

Installation

- Left drain
- Caulk-free installation

Recommended Products/Accessories

K-23726 Drain treatment



Codes/Standards

CSA B45.5/IAPMO Z124
ASTM E162
HUD, UM Bulletin 73

STERLING® Vikrell® or Acrylic Baths and Shower Bases Ten-Year Limited Warranty

See website for detailed warranty information.

Available Colors/Finishes

Color tiles intended for reference only.

Color	Code	Description
-------	------	-------------

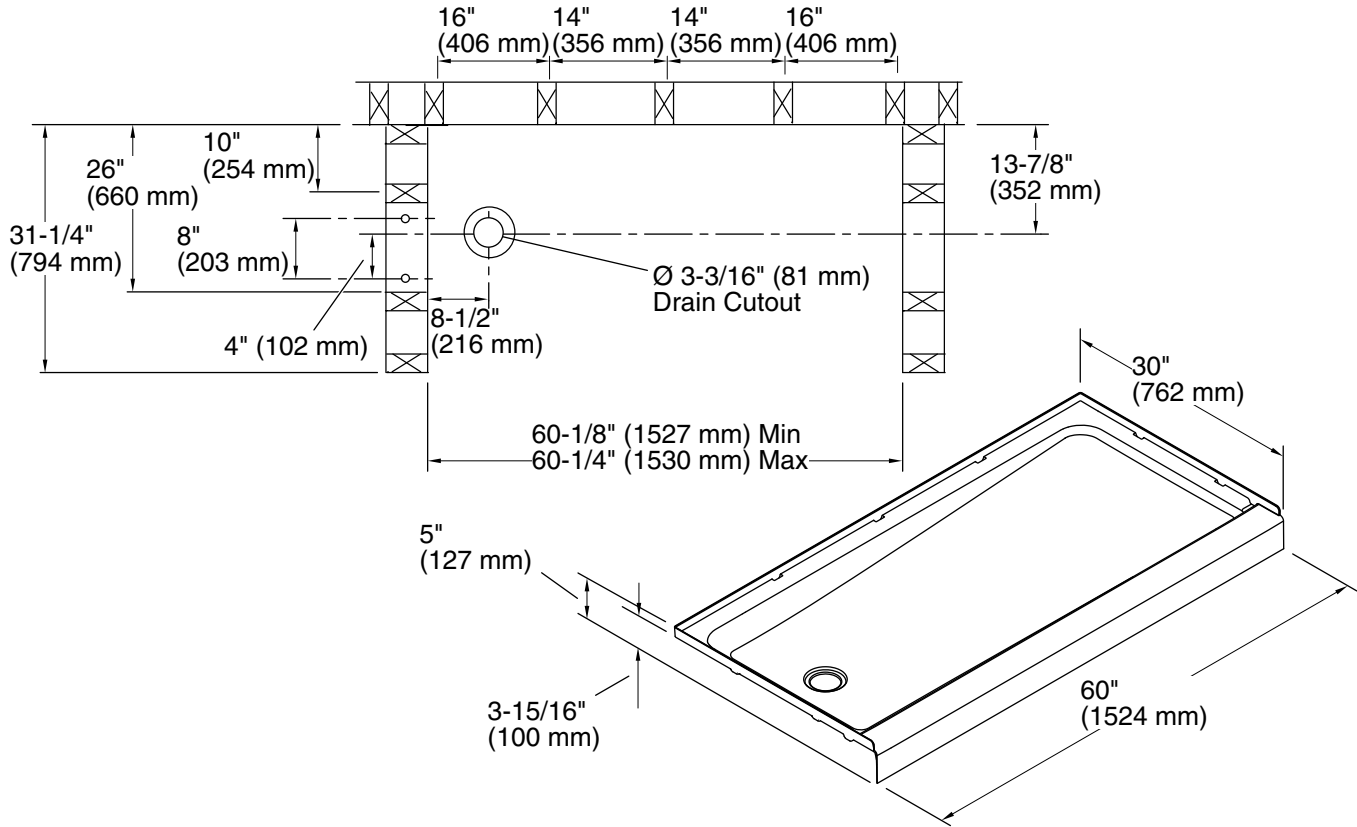
	0	White
---	---	-------

1-800-STERLING (1-800-783-7546)

Kohler Co. reserves the right to make revisions without notice to product specifications.

For the most current Specification Sheet, go to www.sterlingplumbing.com.

3-31-2026 20:35 - US/CA



Technical Information

All product dimensions are nominal.

- Drain location: Left
- Basin area, top: 57" x 24-3/8" (1448 mm x 619 mm)
- Weight: 38 lbs (17.2 kg)
- Minimum flat for door: 3" (76 mm)

Notes

- Install this product according to the installation instructions.
- Studs should be positioned roughly as shown.
- Double studding is recommended for pivot shower door installations.