



Accord®

60" x 36" Vikrell® shower base, center drain
72271100



Features

- 3-1/2" (89 mm) threshold
- Durable high-gloss finish with molded-in textured floor
- Not suitable for tile-down applications
- Compatible with Accord complete wall set (series 7227)

Material

- Made from solid Vikrell® material for strength, durability, and lasting beauty

Installation

- Center drain

Recommended Products/Accessories

- 5475-59 Frameless sliding shower door
- 5970-59 Framed sliding shower door
- 5975-59 Framed sliding shower door
- 5976-59 Framed sliding shower door
- 547808-59 Frameless sliding shower door
- 581075-59 Frameless sliding shower door
- 80001012 12" straight grab bar
- 80001018 18" straight grab bar
- 80001024 24" straight grab bar
- 80011032 32" straight grab bar
- 80001036 36" straight grab bar
- 80012031 28" curved grab bar
- K-23726 Drain treatment

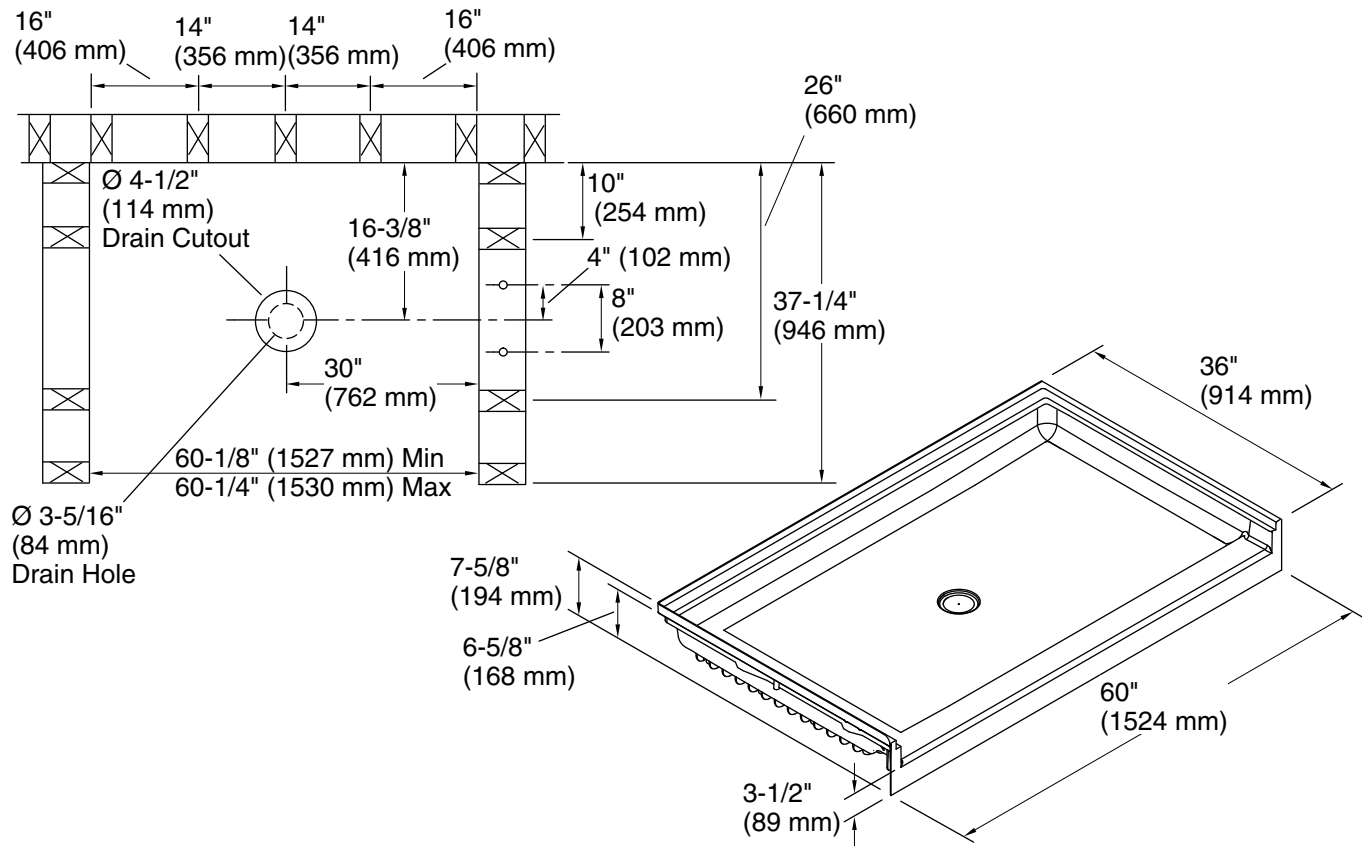


Codes/Standards

- CSA B45.5/IAPMO Z124
- ASTM E162
- ASTM E662

STERLING® Vikrell® or Acrylic Baths and Shower Bases Ten-Year Limited Warranty

See website for detailed warranty information.



Technical Information

All product dimensions are nominal.

Drain location: Center

Minimum flat for door: 3-1/4" (83 mm)

Notes

Install this product according to the installation instructions.