



GUARD+®

42" x 34" Vikrell® shower base, center drain
72351100



Features

- Full-length water-containment guard and 1" (25 mm) weep channels redirect water into the base, providing four-sided water containment
- 4-3/4" (121 mm) threshold
- Durable high-gloss finish
- Textured bottom surface
- Suitable for tile-down applications
- Compatible with STERLING Curve shower walls

Material

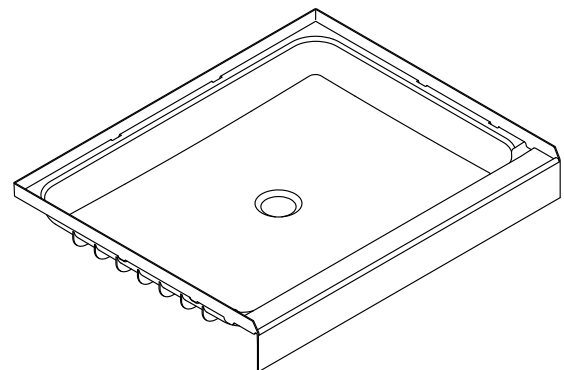
- Made from solid Vikrell® material for strength, durability, and lasting beauty

Installation

- Alcove

Recommended Products/Accessories

K-23726 Drain treatment



Codes/Standards

CSA B45.5/IAPMO Z124
ASTM E162
ASTM E662

STERLING® Vikrell® or Acrylic Baths and Shower Bases Ten-Year Limited Warranty

See website for detailed warranty information.

Available Colors/Finishes

Color tiles intended for reference only.

Color Code Description

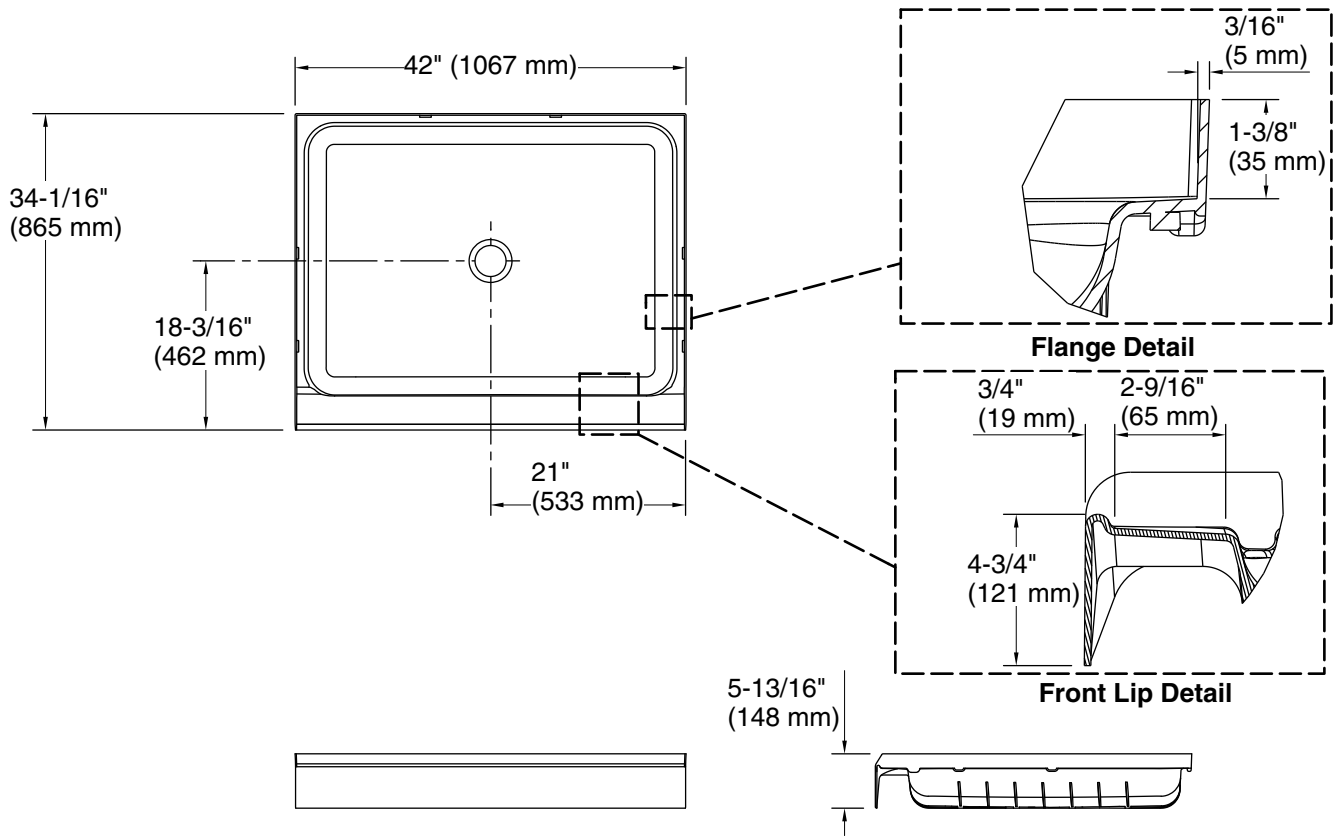
	0	White
--	---	-------

1-800-STERLING (1-800-783-7546)

Kohler Co. reserves the right to make revisions without notice to product specifications.

For the most current Specification Sheet, go to www.sterlingplumbing.com.

4-4-2026 20:02 - US/CA



Technical Information

All product dimensions are nominal.

- Drain location: Center
- Weight: 31 lbs (14.1 kg)
- Minimum flat for door: 3" (76 mm)

Notes

Install this product according to the installation instructions.