

72439T 头顶花洒

安装之前

BEFORE YOU BEGIN

所有的资料是按最新出版的产品资料编写而成。科勒公司保留任何时候不经通知即可改变产品特性、包装或产品可供类型的权利。

All information is based on the latest product information available at the time of publication. Kohler Co. reserves the right to make changes in product characteristics, packaging, or availability at any time without notice.

说明书包括重要的安装、保养及清洁方面的内容，请把这些资料交给用户阅读。

Please leave these instructions for the consumer. They contain important information.

注意事项：

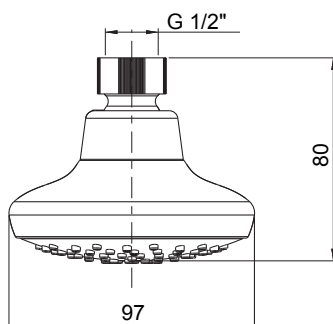
1. 一定要先彻底冲洗供水管以清除管道中的杂质。
2. 推荐工作压力：2~5bar.
3. 花洒最高工作压力：0.5MPa(5bar)。水压超过0.5MPa(5bar)须安装减压阀。花洒最高工作温度及环境温度：60°C。请特别注意花洒同花洒连接的臂管须远离浴霸，否则可能损坏花洒及其密封件，甚至对使用者造成伤害。

NOTES:

1. Flush the water supply pipes thoroughly to remove debris.
2. Recommended working pressure: 2 to 5 bar.
3. The highest working pressure for showerhead is 0.5MPa(5 bar). If it exceeds 0.5MPa(5 bar), a pressure reducer is needed. The highest water and environment temperature is 60°C. Please keep handspray, shower head and the shower arm away from heater, or it may become damaged and cause injury to the user.

安装尺寸

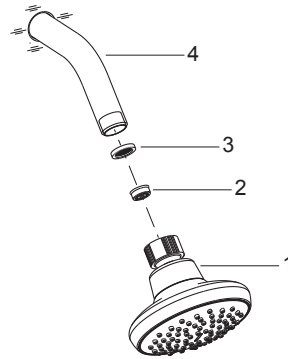
ROUGH-IN DIMENSIONS



72439T

安装步骤

装花洒头(1)之前，先打开水源冲洗掉杂质。将限流器(2)和垫片(3)如图所示方向塞入花洒(1)进水口。然后将花洒头旋到花洒臂(4，客户自备)上。若无垫片，可在花洒臂螺纹上缠绕足以密封的密封胶带或涂适合的密封胶，再将花洒头旋到花洒臂上。



注意：如水压太低，则不必安装限流器。

INSTALLATION

Flush both water supplies through the shower arm(4, not provided) for about one minute before the showerhead(1) is installed. Put the restrictor(2) and washer(3) into the handspray(2) inlet. Tighten the shower head with a strap wrench. If have no washer, apply tape or sealant to the exposed end of the shower arm. Tighten the shower head with a strap wrench.

NOTE: If working pressure is too low, restrictor is not needed.

清洗说明

适用于所有加工处理过的表面：以中性肥皂水清洗镀层表面，再以干净的软布彻底擦干整个表面，许多清洁剂，比如氨水、去污粉及洁厕灵等，会对电镀表面造成伤害，切忌使用。

有磨损性的清洁用具或清洁剂也不可适用于科勒牌的水龙头及其配件上。

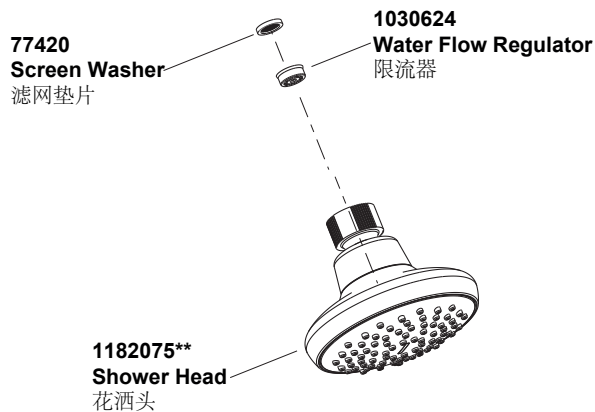
CLEANING INSTRUCTIONS

All Finishes: Clean the finish with mild soap and warm water. Wipe entire surface completely dry with clean soft cloth. Many cleaners may contain chemicals, such as ammonia, chlorine, toilet cleaner etc, which could adversely affect the finish and are not recommended for cleaning.

Do not use abrasive cleaners or solvents on Kohler faucets and fittings.

零件图

SERVICE PARTS



**订购时请说明颜色编号

**Color code must be specified when ordering