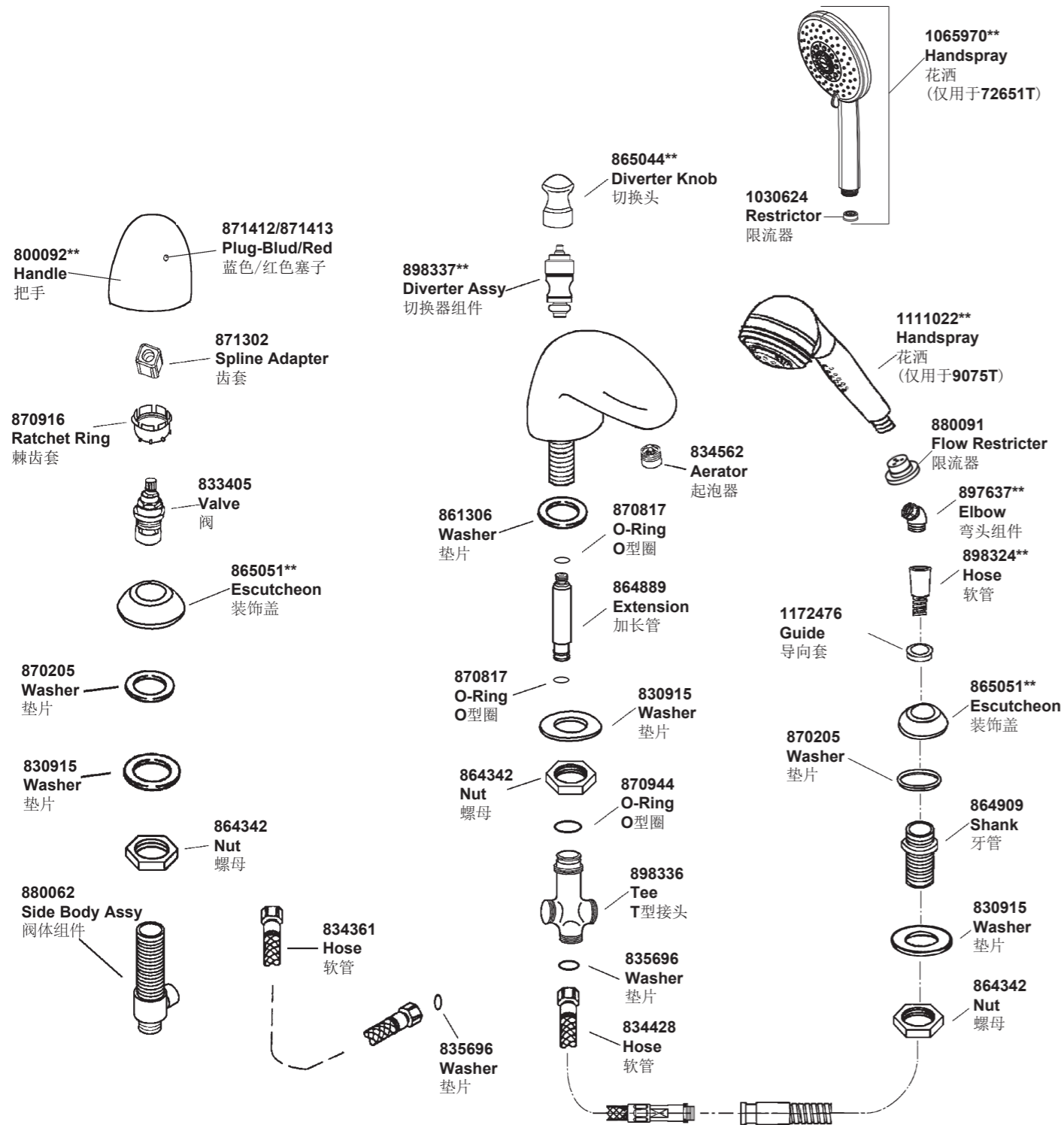


9075T 72651T 缸边式浴缸花洒龙头



\*\*订购时请说明颜色编号  
\*\*Color code must be specified when ordering

9075T 72651T 缸边式浴缸花洒龙头

安装之前

所有的资料是按最新出版的产品资料编写而成。科勒公司保留任何时候不经通知即可改变产品特性、包装或产品可供类型的权利。

说明书包括重要的安装、保养及清洁方面的内容，请把这些资料交给用户阅读。

注意事项：

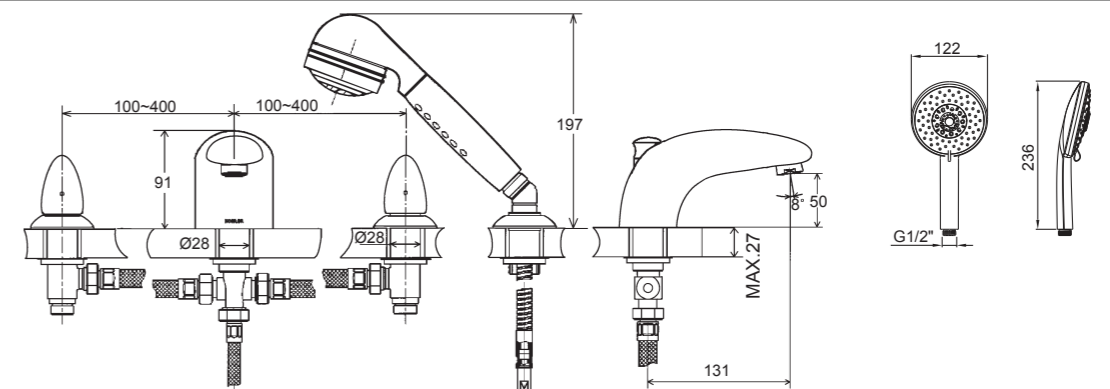
1. 一定要先彻底冲洗供水管以清除管道中的杂质。
2. 检查供水管有无损坏。如需要，进行替换。
3. 遵守当地管路安装条例。
4. 尽可能在安装浴缸之前安装水龙头。
5. 切换器正常工作的最小压力为0.05MPa(0.5bar)。

6. 花洒最高工作压力：0.5MPa(5bar)。水压超过0.5MPa(5bar)须安装减压阀。花洒最高工作温度及环境温度：60°C。请特别注意花洒同花洒连接的臂管须远离浴霸，否则可能损坏花洒及其密封件，甚至对使用者造成伤害。

使用说明

逆时针旋转两把手为开，顺时针旋转两把手为关。打开龙头，水从浴缸出水口流出。拉一下切换器，水流将从花洒流出。当关上龙头时，切换器将自动恢复到浴缸出水口出水状态。

安装尺寸



BEFORE YOU BEGIN

All information is based on the latest product information available at the time of publication. Kohler Co. reserves the right to make changes in product characteristics, packaging, or availability at any time without notice.

Please leave these instructions for the consumer. They contain important information.

NOTES:

1. Flush the water supply pipes thoroughly to remove debris.
2. Inspect the supply tubing for damage. Replace as necessary.
3. Observe local plumbing codes.
4. If possible, install this faucet before installing the bathtub.
5. The minimum inlet water pressure for the diverter is 0.05MPa(0.5bar).
6. The highest working pressure for handspray is 0.5MPa(5bar). If it exceeds 0.5MPa(5bar), a pressure reducer is needed. The highest water and environment temperature is 60°C. Please keep handspray, showerhead and the shower arm away from heater, or it may become damaged and cause injury to the user.

HANDLE OPERATION

Both handles open with turning counterclockwise and close with turning clockwise. Turn on the faucet, water flows from the bath spout. Pull diverter, water flows from the handspray. When turn off the faucet, the diverter returns to the bath position.

ROUGH-IN DIMENSIONS

## 安装步骤

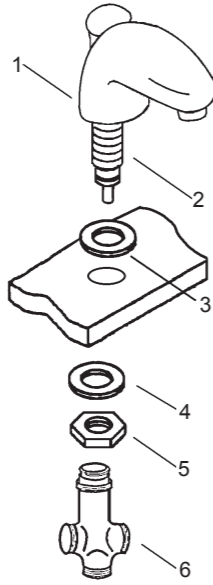
### 如何安装出水口

从出水口组件上依次取下T型接头(6)、螺母(5)及垫片(4)。

将垫片(3)置于本体(1)底部的凹槽内, 然后装入脸盆的安装孔中。

垫片(4)与螺母(5)安装到牙管(2)上, 用扳手拧紧螺母。

将T型接头(6)旋到出水口牙管(2)上, 用手拧紧。



## INSTALLATION

### How To Install The Spout

Remove the parts according to the following order: supply tee(6), nut(5) and washer(4).

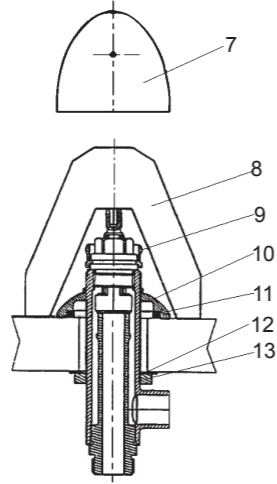
Put the washer(3) into the groove of the body(1) bottom. Then install them into the hole of the lavatory.

Install washer(4) and nut(5) onto the spout shank(2), and securely wrench tighten the nut(5).

Screw supply tee(6) to the spout shank (2) until hand tight.

### 如何安装阀体

依次拆下把手(7)、棘齿圈(9)、装饰盖(10)和垫片(11)。将带有垫片(12)和螺母(13)的阀体组件从脸盆的下方插入安装孔。从上方依次装上垫片(11)、装饰盖(10)、棘齿圈(9)。用调节纸板(8)来调节阀体露在浴缸外面的高度, 如图所示。然后用扳手锁紧螺母(13)  
**(注意: 拧紧前必须将阀体定位, 面向龙头时, 贴有蓝色标记的阀体位于龙头的右面)。**



### How To Install The Valve Body

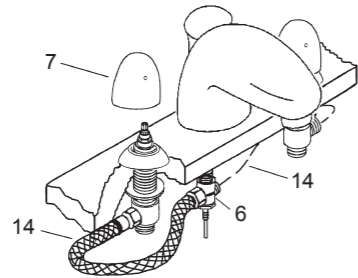
Remove the parts according to the following order: handle(7), ratchet ring(9), escutcheon(10) and washer (11). Insert the side body with washer (12) and nut(13) through mounting holes from underside of the lavatory. Reinstall the parts according to the following order: washer(11), escutcheon (10), ratchet ring(9). Adjust the height of the side body with a adjustable cardboard(7). Wrench tighten the nut (13)**(Note: Before tighten the nut, install valve body with blue mark on the right when facing the front of the faucet.)**

### 如何安装把手和软管

将把手(7)装到阀体上, 调整并对齐, 使得把手在安装完后, 处于关闭状态的位置如图所示。

用软管(14)将T型接头(6)和左右阀体连接起来如图所示。为了安装方便, 可以适当旋松和T型接头(6), 但不要超过180度。安装必须保证软管水流顺畅。

**注意:** 软管(14)只能用于此处。



### How To Install The Handles And The Hoses

Place the handles(7) onto the valve bodies. Adjust and align them. The configuration shown is the correct position of the handles in the closed position.

Connect the side bodies and center tee(6) with hoses(14) as shown in the drawing. To ease installation, you may back off the supply tee(6) up to 180 degrees. Ensure that there is no kinking of the supply hoses.

**Note:** The hoses(14) should only be used here.

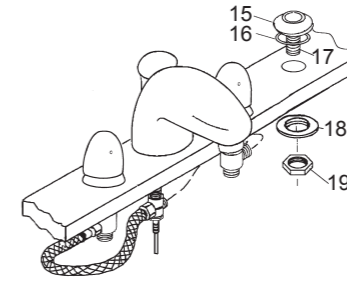
## 如何安装花洒

拆下螺母(19)、垫片(18), 将橡胶垫片(16)置于装饰盖(15)的凹槽内, 将牙管(17)装入安装孔。从下方将垫片(18)、螺母(19)安装到牙管(17)上。然后拧紧螺母(19)。

将软管(24)穿过导向套(25)连接到软管(26)上。

将限流器塞入花洒(20)进水口, 将滤网垫片(21)放入弯头组件(22), 把弯头组件旋接到花洒(20)上。把垫片(23)放入软管(24)接头并旋接到弯头组件上。

然后将软管(26)的连接螺母放入垫片(27)内, 并将其锁紧到T型接头的花洒接口上。必须保证软管水流顺畅。



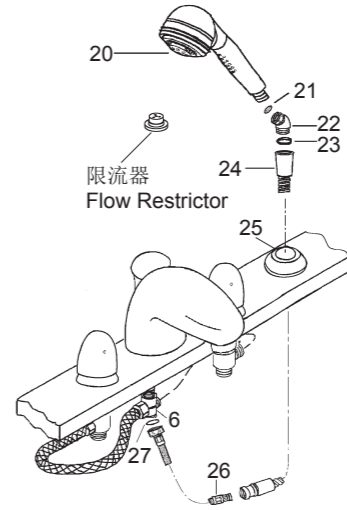
## How To Install The Handspray

Remove the nut(19), washer(18). Put the rubber washer(16) into the groove of the escutcheon(15). Place the shank (17) into the hole. From underside, install the washer(18) and nut(19) to the shank(17). Then tighten the nut(19) firmly.

Slide the hose(24) through the hose guide(25) and attach to the hose(26).

Put the flow restrictor into the handspray (20) inlet. Put the filter washer(21) into the elbow assembly(22), and then screw them to the handspray(20). Put the washer(23) into the connector of the hose(24) and screw them to the elbow assembly.

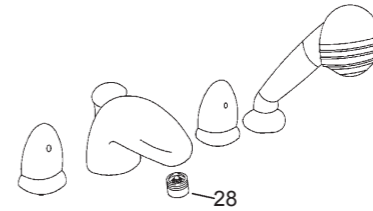
Put the washer(27) into the connecting nut of the hose(26). Then screw the nut to the handspray port of the center tee (6). Ensure that there is no kinking of the hoses.



## 安装结果检查

确保已拧紧所有的连接处。

取下起泡器(28)。打开主供水源, 检查泄漏。打开冷热水阀, 使水流出出水口, 除掉杂物, 关闭阀。重新安装起泡器。



## INSTALLATION CHECKOUT

Ensure that all connections are tight.

Remove the aerator(28). Turn on the main water supply and check for leaks. Open both hot and cold valves and run water through the spout to remove any debris. Turn the valve off. Reinstall the aerator.

## 清理说明

适用于所有加工处理过的表面: 以中性肥皂水清洗镀层表面, 再以干净的软布彻底擦干整个表面, 许多清洁剂, 比如氨水、去污粉及洁厕灵等, 会对电镀表面造成伤害, 切忌使用。

有磨损性的清洁用具或清洁剂也不可适用于科勒牌的水龙头及其配件上。

## CLEANING INSTRUCTIONS

All Finishes: Clean the finish with mild soap and warm water. Wipe entire surface completely dry with clean soft cloth. Many cleaners may contain chemicals, such as ammonia, chlorine, toilet cleaner etc. which could adversely affect the finish and are not recommended for cleaning.

Do not use abrasive cleaners or solvents on Kohler faucets and fittings.