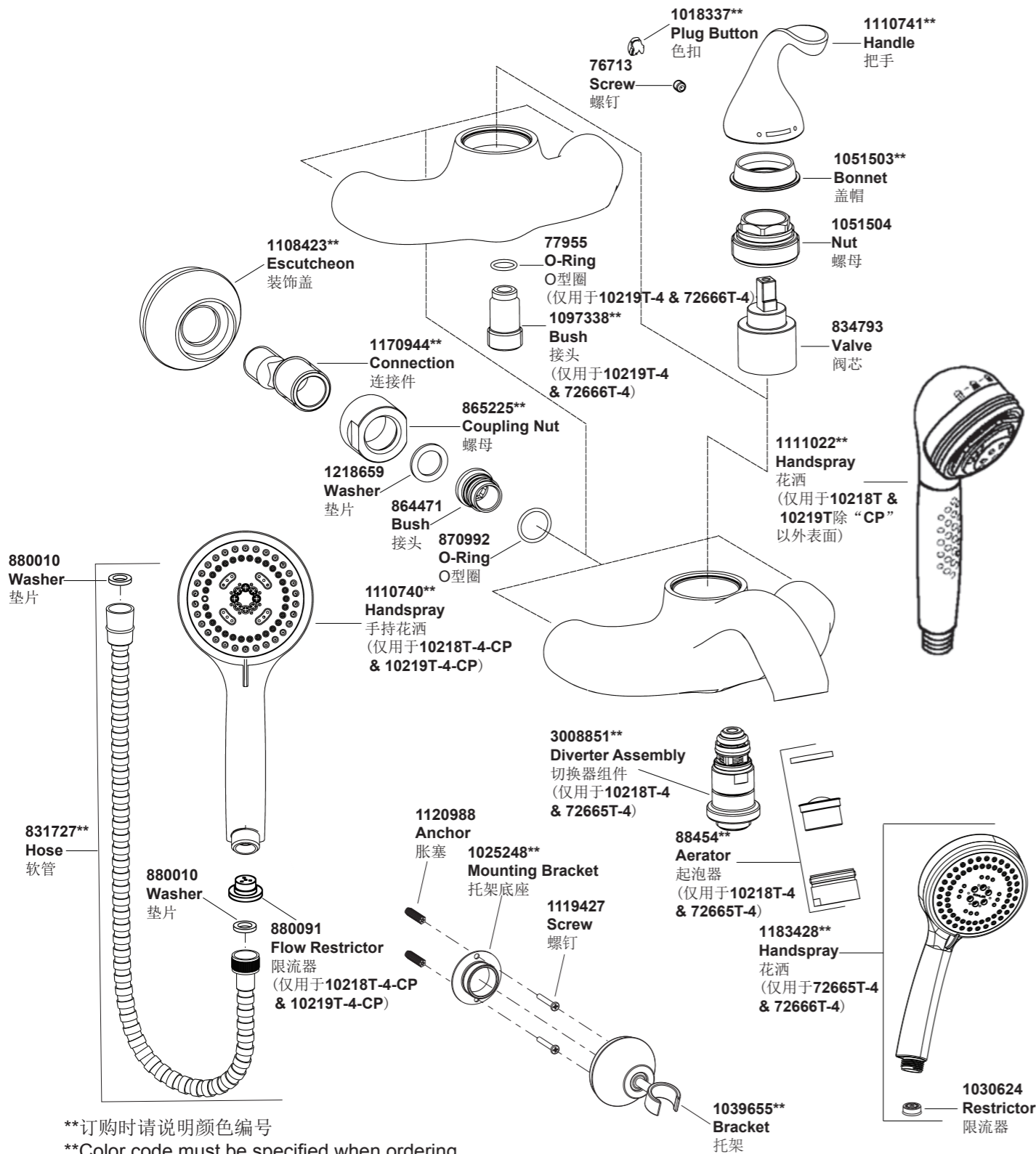


Wall-Mount Bath/Shower Faucet

10218T-4 72665T-4 挂墙式浴缸花洒龙头
10219T-4 72666T-4 挂墙式花洒龙头



**订购时请说明颜色编号
**Color code must be specified when ordering

Wall-Mount Bath/Shower Faucet

10218T-4 72665T-4 挂墙式浴缸花洒龙头
10219T-4 72666T-4 挂墙式花洒龙头

安装之前

所有的资料是按最新出版的产品资料编写而成。科勒公司保留任何时候不经通知即可改变产品特性、包装或产品可供类型的权利。

说明书包括重要的安装、保养及清洁方面的内容，请把这些资料交给用户阅读。

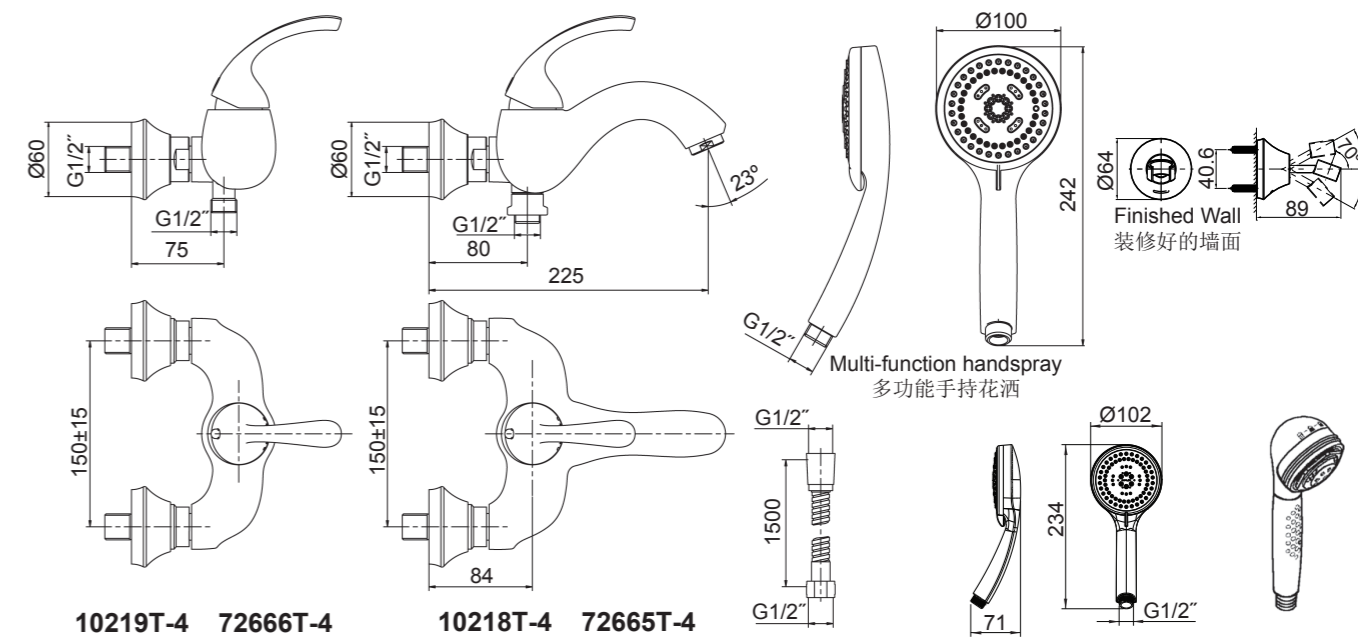
注意事项：

1. 一定要先彻底冲洗供水管以清除管道中的杂质。
2. 切换器正常工作的最小压力为0.05MPa(0.5bar)。
3. 花洒最高工作压力：0.5MPa(5bar)。水压超过0.5MPa(5bar)须安装减压阀。花洒最高工作温度及环境温度：60°C。请特别注意花洒同花洒连接的臂管须远离浴霸，否则可能损坏花洒及其密封件，甚至对使用者造成伤害。

使用说明

将手柄轻轻提起，顺时针旋转为热水，逆时针旋转为冷水。对于10218T & 72665T，下拉切换器，花洒出水。

安装尺寸



BEFORE YOU BEGIN

All information is based on the latest product information available at the time of publication. Kohler Co. reserves the right to make changes in product characteristics, packaging, or availability at any time without notice. Please leave these instructions for the consumer. They contain important information.

NOTES:

1. Flush the water supply pipes thoroughly to remove debris.
2. The minimum inlet water pressure for the diverter is 0.05MPa(0.5bar).
3. The highest working pressure for handspray & shower head is 0.5MPa(5bar). If it exceeds 0.5MPa (5bar), a pressure reducer is needed. The highest water and environment temperature is 60°C. Please keep handspray, shower head and the shower arm away from heater, or it may become damaged and cause injury to the user.

HANDLE OPERATION

Lift the handle gently. Turn clockwise for hot water, counter-clockwise for cold water. For 10218T & 72665T, pull down diverter for shower.

ROUGH-IN DIMENSIONS

安装步骤

如何安装水龙头

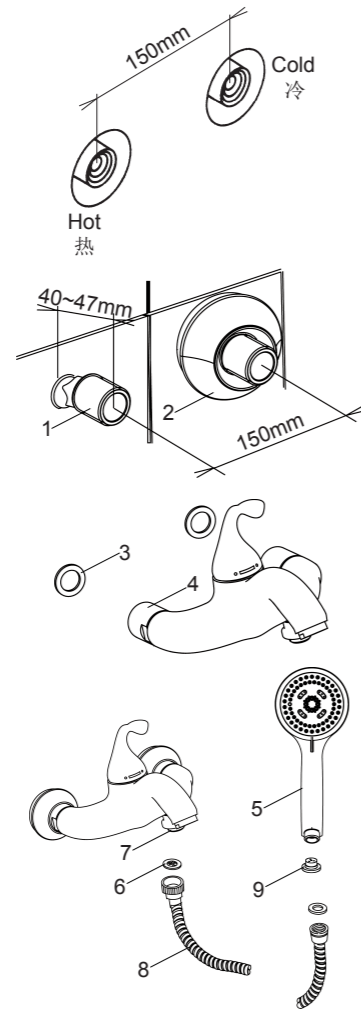
为使安装顺利，G1/2"内螺纹管道配件应已装好。预留150mm的间距，保持水平。管道配件要垂直并不能凸出装修好的墙面。热供水管装在左边。

在两个接头(1)涂上螺纹密封胶或缠绕足以密封的密封胶带，旋入冷热水管中。

调节两个接头，使其中心距离为150mm并保持同一水平。它们凸出墙面的尺寸应该在40到47mm之间。将装饰盖(2)旋入接头，紧贴墙壁。

将垫片(3)放入水龙头螺母(4)，将螺母旋到接头上。用带状扳手或用软布垫在普通扳手和螺母之间，锁紧螺母。

将限流器(9)塞入花洒(5)进水口。用软管(8)带垫片(6)连接出水口(7)与花洒。



INSTALLATION

How To Install The Faucet

To perform installation, installer must provide G1/2" female supply fittings, spaced 150mm apart and horizontally. The supply fittings should be vertical and not beyond the finished wall. Hot supply pipe must be located on the left.

Install the two offset connectors(1) into the hot and cold supply pipes. Use appropriate thread sealants or thread tape on pipe threads.

Adjust the center-to-center distance between the connectors to 150mm and horizontally. They should extend 40 to 47mm beyond the finished wall. Thread the escutcheons(2) onto the connector until they are against the finished wall.

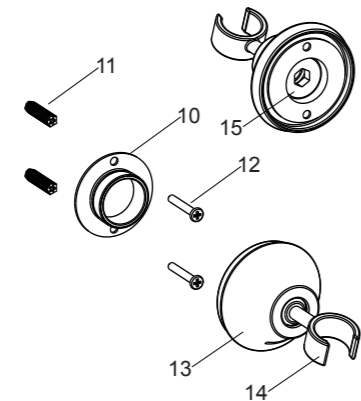
Put the washers(3) into the nuts(4), thread the nuts to connectors. Tighten the nuts with strap wrench or soft cloth between product and regular wrench.

Put the restrictor(9) into the handspray (5) inlet. Connect hose(8) to the faucet outlet(7), and to the handspray with washers(6).

如何安装托架

在墙面选择合适的位置来安装托架。

根据安装尺寸在墙壁上标出底座(10)安装孔位。根据胀塞(11)直径打孔，安装胀塞。旋紧螺钉(12)，固定底座。安装托架(13)之前，检查托架的花洒托环(14)是否松动，如果松动，用9.5mm六角扳手锁紧托架底部的螺母(15)。在托架底面边缘涂一圈油灰或密封胶，将托架旋紧到底座上。去除多余油灰或密封胶。



How To Install The Bracket

Determine a suitable location on the finished wall to install the bracket.

Mark bracket support(10) mounting hole locations on the wall according to the dimension. Drill two holes on the finished wall, the holes should match the anchors(11). Install the anchors. Tighten screws(12) to secure bracket support. Before installing the bracket(13), check if the ring(14) of the bracket loosen. If yes, tighten the nut(15) on the bottom of the bracket with 9.5mm hex wrench. Apply a ring of plumbers putty or sealant around the back surface of the bracket. Screw the bracket onto the bracket support. Remove any excess putty or sealant.

安装结果检查

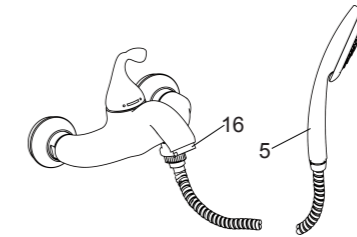
检查并确保所有的衔接处都已拧紧。

确保把手在关的位置。

打开主要供水源，检查并修理有漏水的接口。

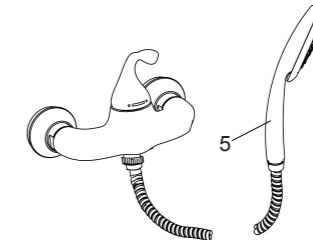
对于10218T-4 & 72665T-4 浴缸花洒龙头

将起泡器组件(16)和花洒(5)拆下。打开水龙头，让水流出约一分钟以清除杂质。检查渗漏，冲洗起泡器，关闭水龙头，重新装回花洒和起泡器。



对于10219T-4 & 72666T-4 花洒龙头

将花洒(5)拆下。打开水龙头，让水流出约一分钟以清除杂质。检查渗漏，关闭水龙头，重新装回花洒。



INSTALLATION CHECKOUT

Ensure that all connections are tight.

Ensure that the handle is in the off position.

Turn on main water supply, and check for leaks. Repair as needed.

For 10218T-4 & 72665T-4 Bath & Shower Faucet

Remove the aerator assembly(16) and the handspray(5). Turn on the faucet. Run hot and cold water through the faucet for about one minute to remove any debris. Check for leaks. Remove any debris from the aerator assembly. Shut off the faucet. Reinstall the aerator assembly and handspray.

For 10219T-4 & 72666T-4 Shower Faucet

Remove the handspray(5). Turn on the faucet. Run hot and cold water through the spout for about one minute to remove any debris. Check for leaks. Shut off the faucet. Reinstall the handspray.

清洗说明

适用于所有加工处理过的表面：以中性肥皂水清洗镀层表面，再以干净的软布彻底擦干整个表面，许多清洁剂，比如氨水、去污粉及洁厕灵等，会对电镀表面造成伤害，切忌使用。

有磨损性的清洁用具或清洁剂也不可适用于科勒牌的水龙头及其配件上。

CLEANING INSTRUCTIONS

All Finishes: Clean the finish with mild soap and warm water. Wipe entire surface completely dry with clean soft cloth. Many cleaners may contain chemicals, such as ammonia, chlorine, toilet cleaner etc. which could adversely affect the finish and are not recommended for cleaning.

Do not use abrasive cleaners or solvents on Kohler faucets and fittings.