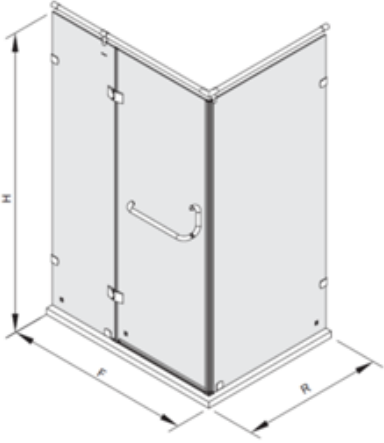
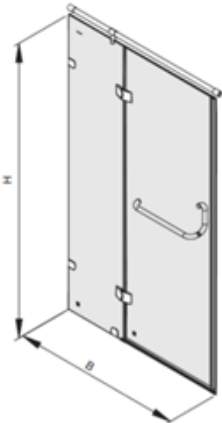
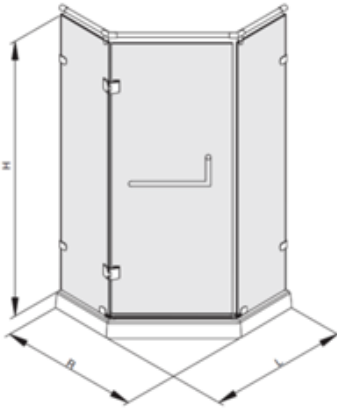
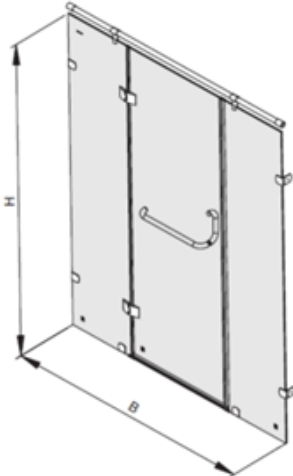
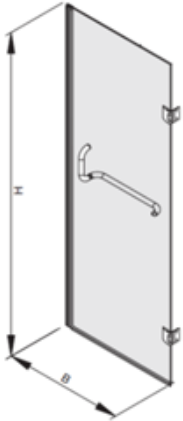
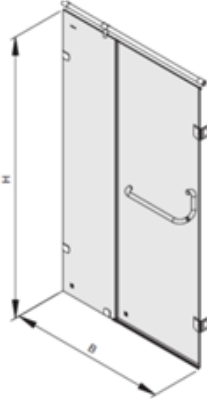
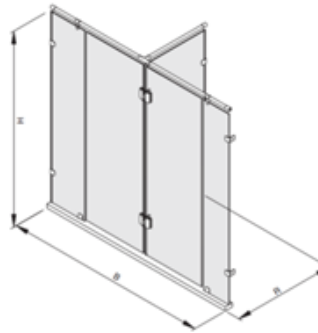
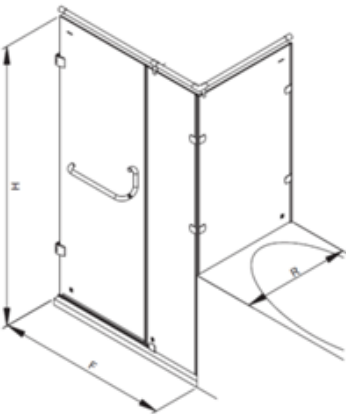


新绮多吉夹子房安装注意事项

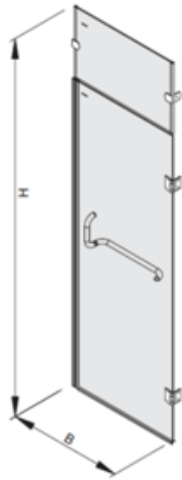
Shower Door Team

2014.07.24

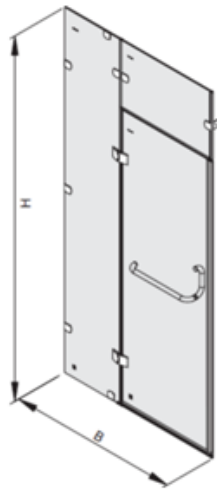
房型示意图—普通型

			
<p>K-72925T / K-72934T</p>	<p>K-72922T / K-72931T</p>	<p>K-72928T / K-72936T</p>	<p>K-72924T / K-72934T</p>
			
<p>K-72921T / K-72930T</p>	<p>K-72923T / K-72932T</p>	<p>K-72929T / K-72937T</p>	<p>K-72927T / K-72935T</p>

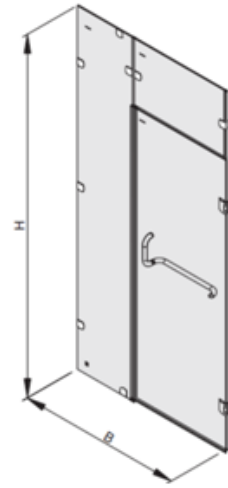
房型示意图-通顶型



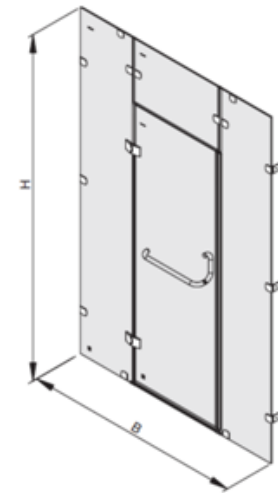
K-97639T / K-97686T



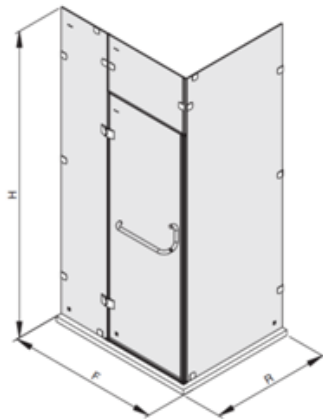
K-97660T / K-97712T



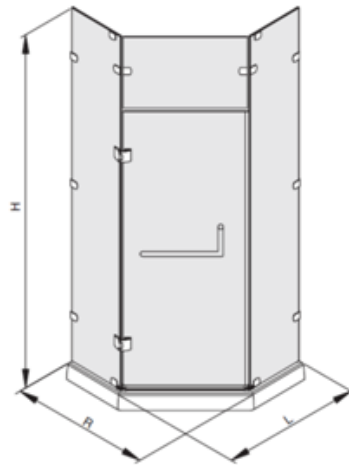
K-97661T / K-97713T



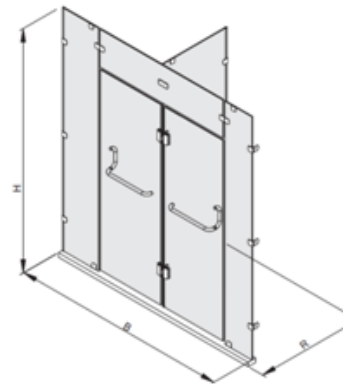
K-97662T / K-97714T



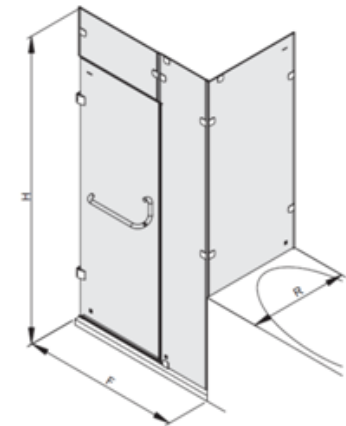
K-97665T / K-97715T



K-97681T / K-97717T



K-77682T / K-77721T



K-97680T / K-97716T

L型淋浴房安装门胶条注意事项

Fix the magnetic stripe and the gasket.
安装磁条，胶条。



Be aware of the direction of the magnetic stripe and the gasket.
注意磁条，胶条方向。



Fixed Glass
固定玻璃

Active Glass
活动玻璃



Skip this step if the door opens inward.
内开门忽略此步骤

STEP
11

Fix the magnetic stripe and the gasket.
安装磁条，胶条。



Be aware of the direction of the magnetic stripe and the gasket.
注意磁条，胶条方向。



Fixed Glass
固定玻璃

Active Glass
活动玻璃



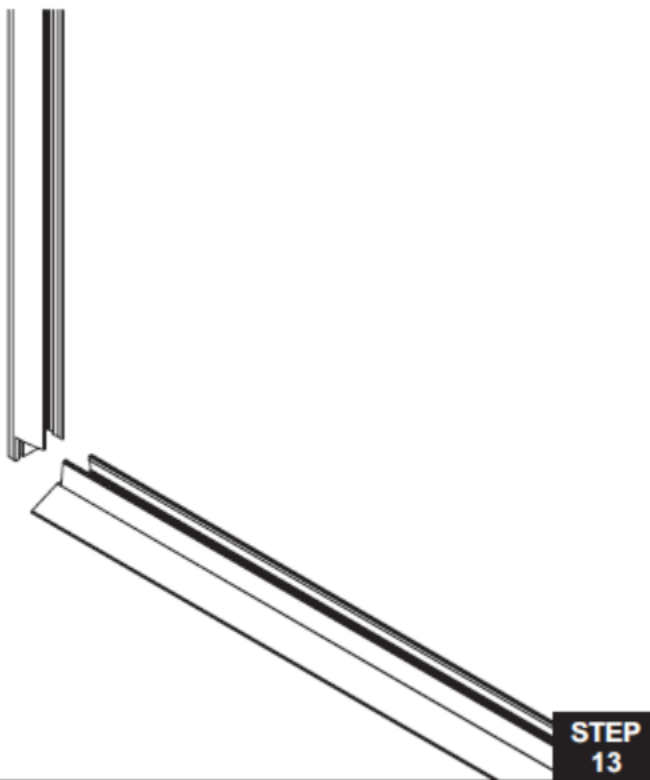
Skip this step if the door opens outward.
外开门忽略此步骤

STEP
12

上墙立柱封水胶条安装注意事项

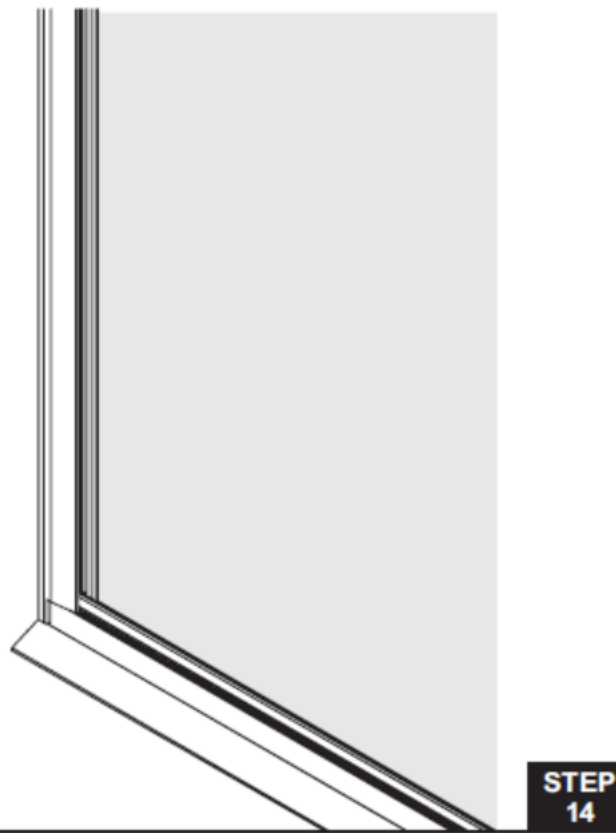
Pay attention to the position of the notch when fixing the magnetic seal and bottom seal.

安装磁条及底边胶条时要注意缺口位置。



Connect the notch as shown for better water-proofing effect.

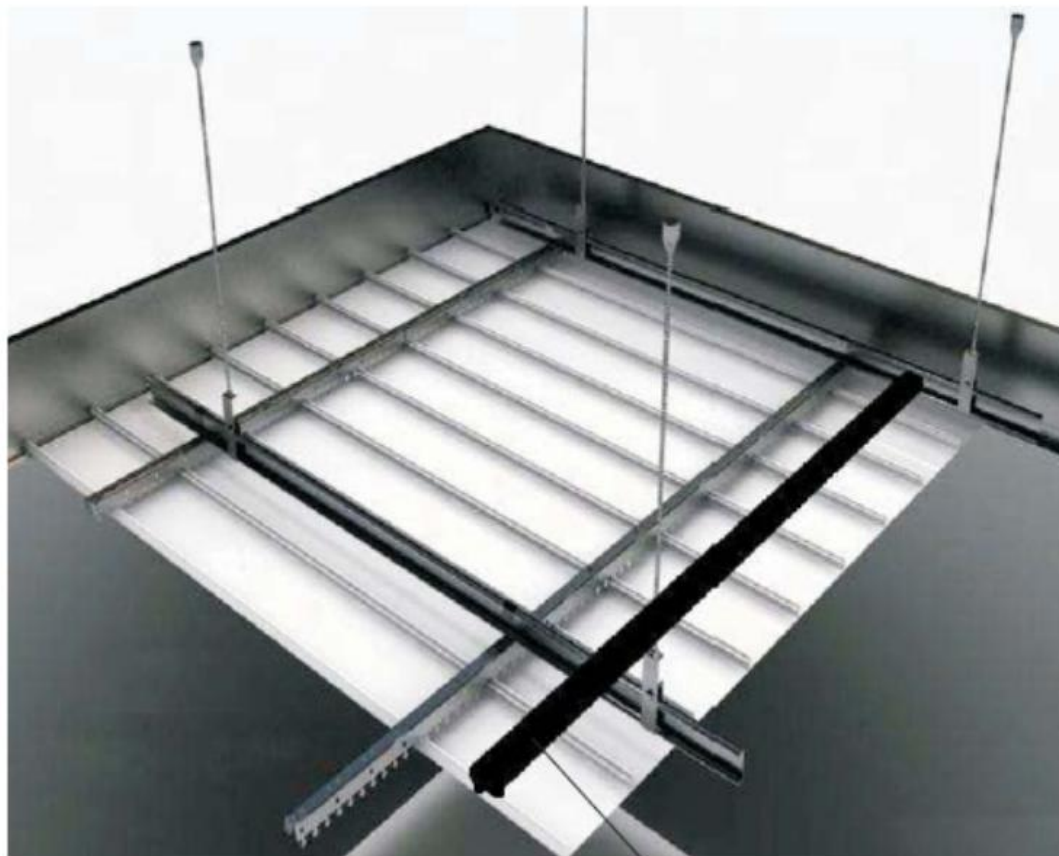
像这样拼接缺口，防水效果更好。



全密封（通顶）淋浴房安装注意事项

Before installation, please make sure the suspended ceiling is strong enough. The supporting wood blocks are installed on top of the threshold.

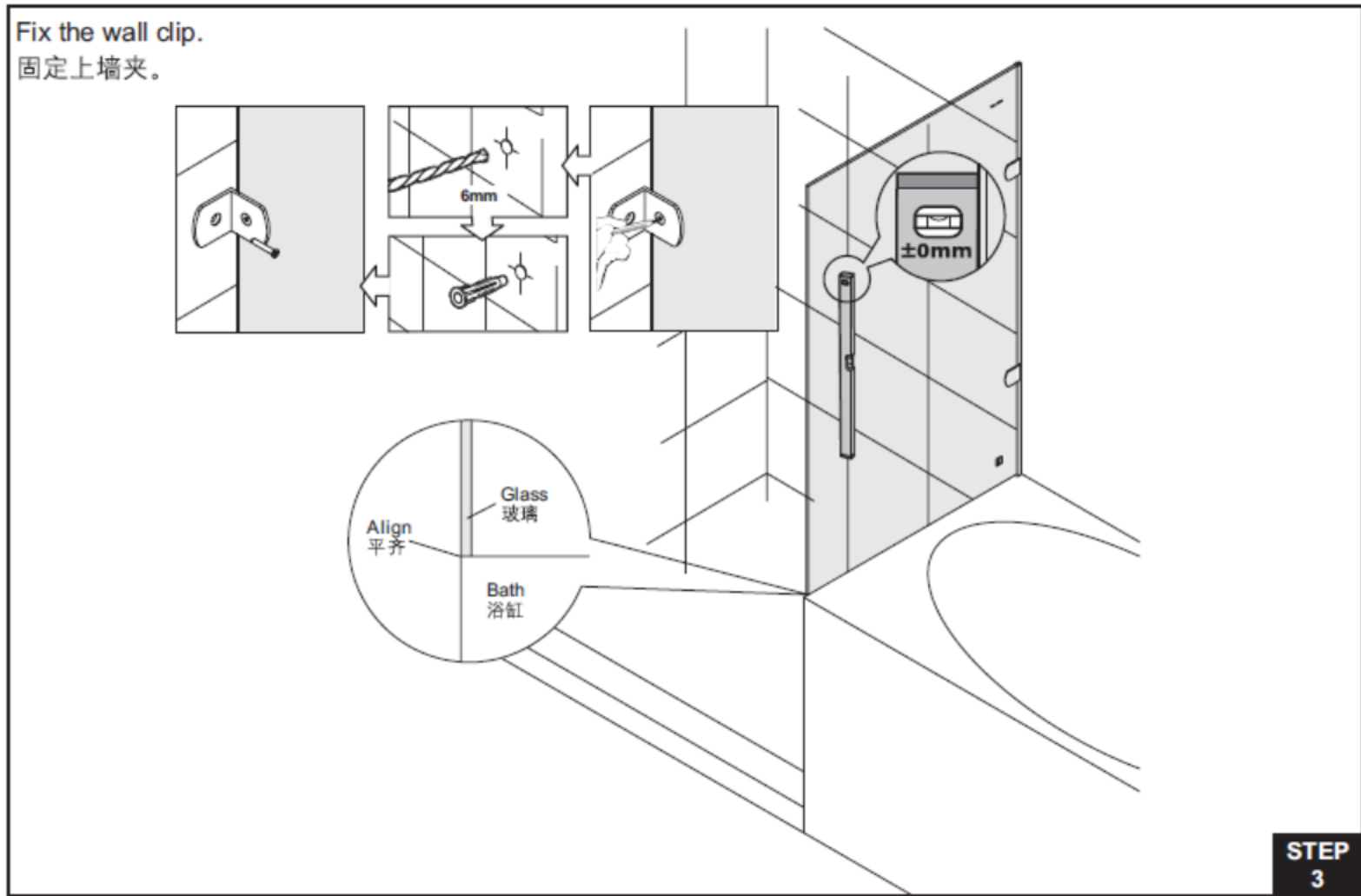
安装前请确认吊顶有足够的强度，挡水条正上方安装有受力木方。



Supporting wood block
受力木方

STEP
1

浴缸上淋浴房安装注意事项



THE END

STATUS

2014/7/28

RELEASE

KOHLER CO. CONFIDENTIAL

KOHLER.