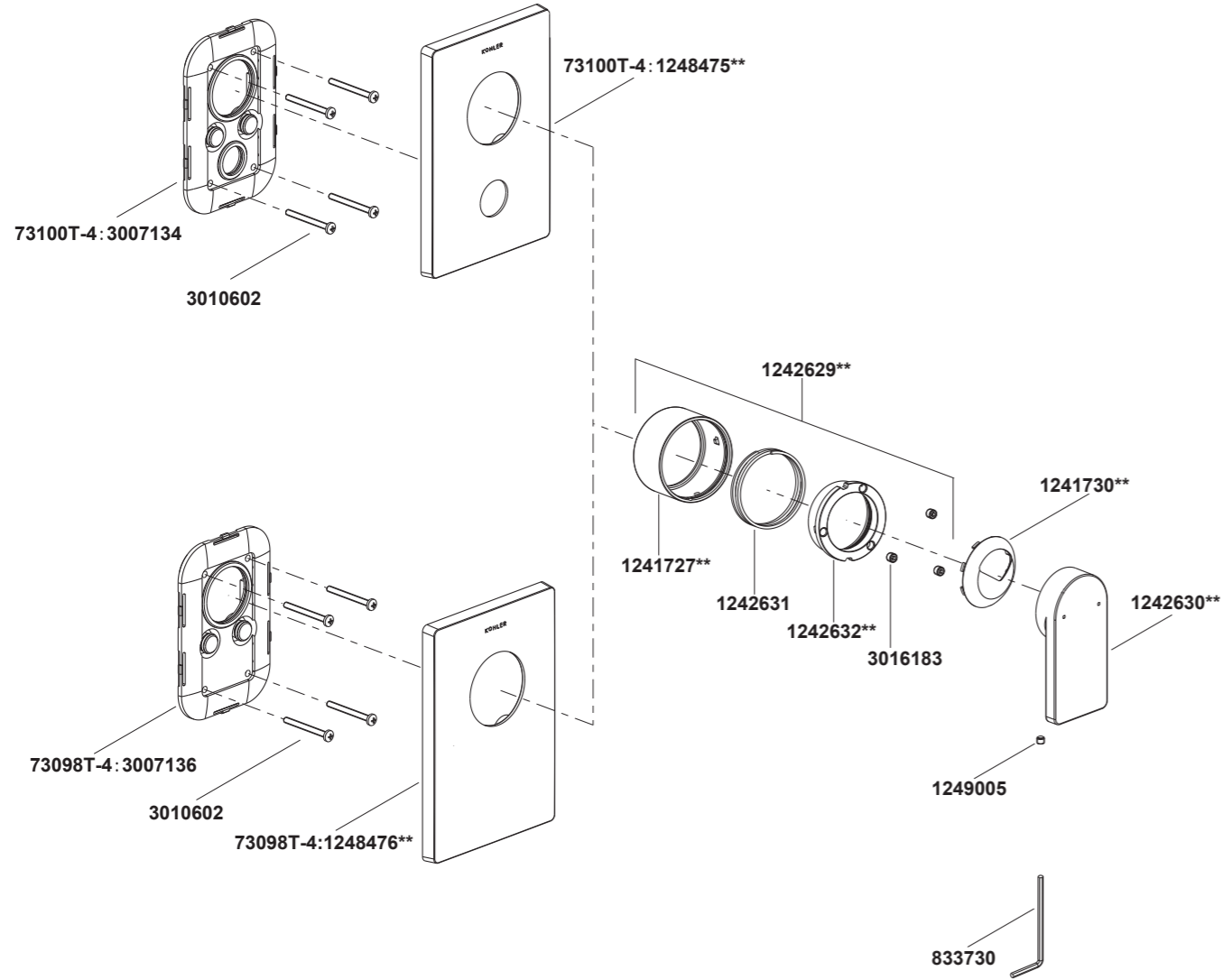


73100T-4 40mm Recessed Bath Shower Trim  
73098T-4 40mm Recessed Shower Trim



\*\*Color code must be specified when ordering.

73100T-4 40mm Recessed Bath Shower Trim  
73098T-4 40mm Recessed Shower Trim

**BEFORE YOU BEGIN**

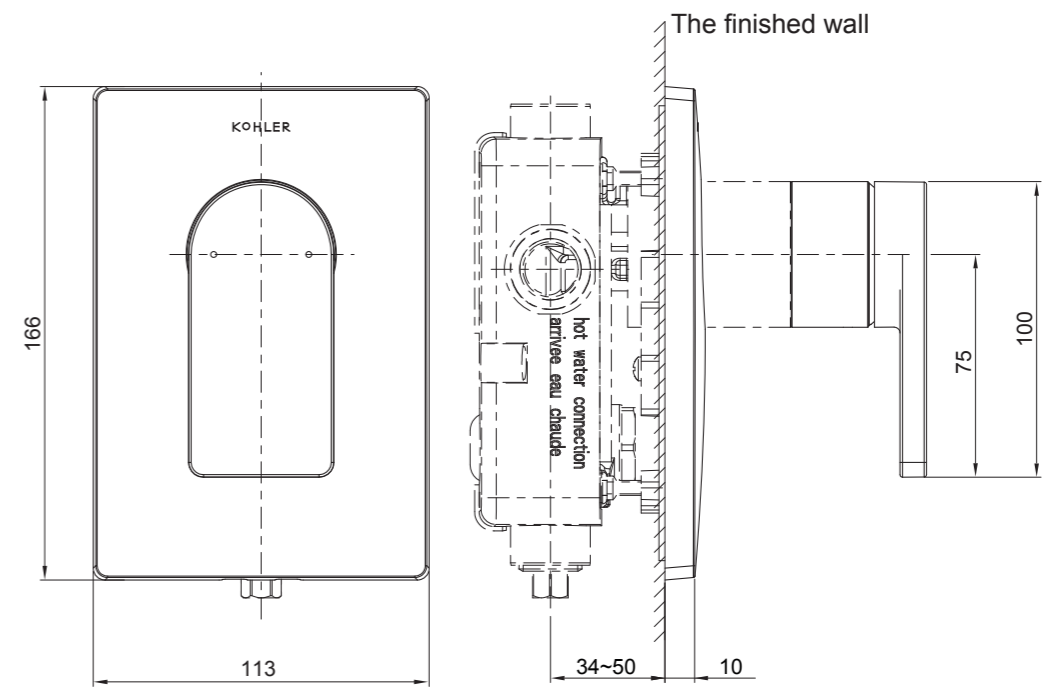
All information is based on the latest product information available at the time of publication. Kohler Co. reserves the right to make changes in product characteristics, packaging, or availability at any time without notice.

Please leave these instructions for the consumer. They contain important information.

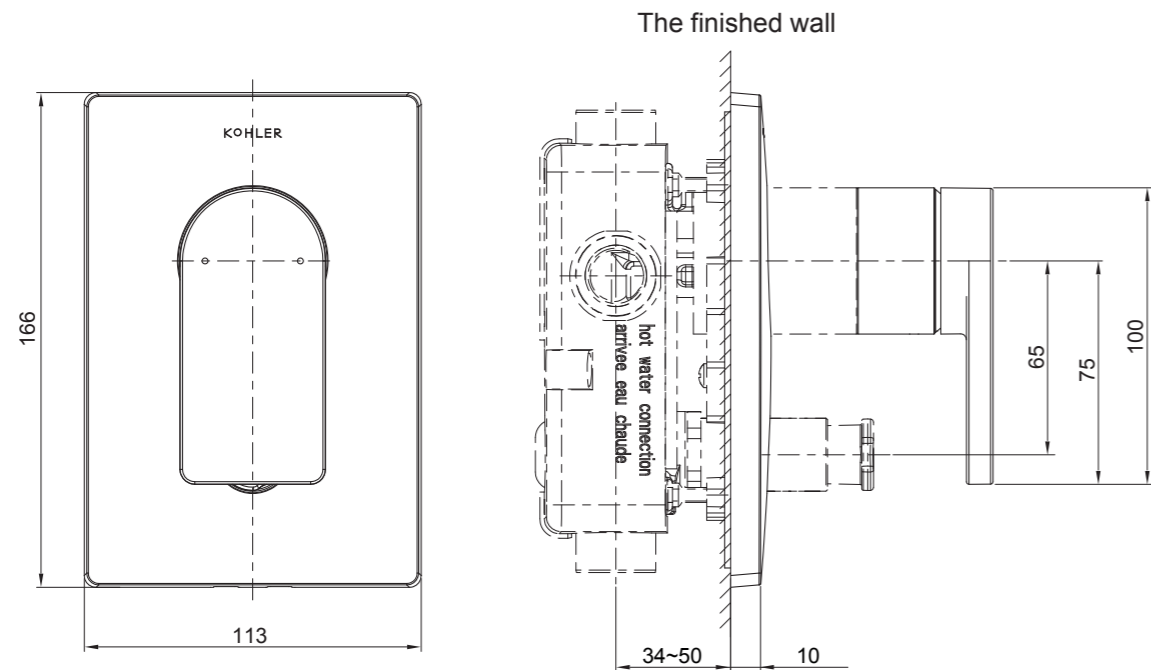
**NOTES:**

1. Flush the water supply pipes thoroughly to remove debris.
2. An inline water filter must be used with this product.
3. Do not remove the plaster guard from the valve body until instructed to.
4. Install valve 882\* according to the rough-in dimensions of 73100T-4, install valve 880\* according to the rough-in dimensions of 73098T-4.
5. All installations should comply with the relevant requirements of AS/NZS 3500.

**ROUGH-IN DIMENSIONS**

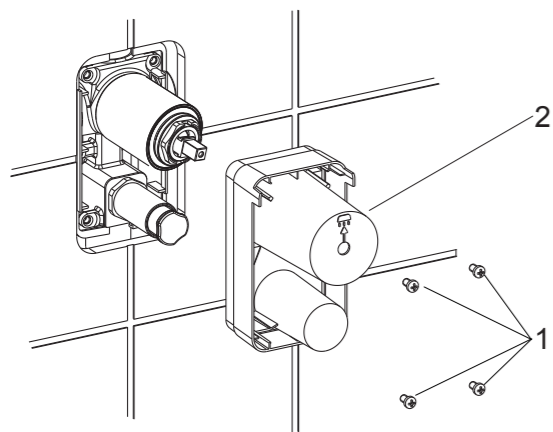


73098T-4



73100T-4

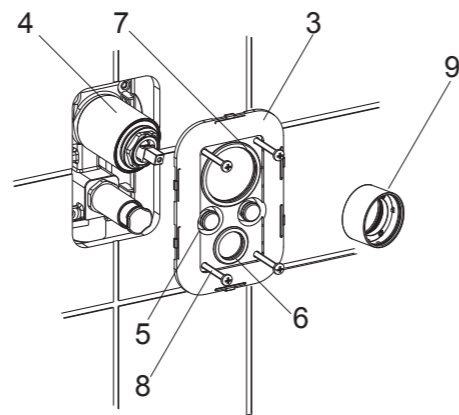
## INSTALLATION



①

**NOTE:** Install valve 882\* according to the rough-in dimensions of 73100T-4, Install valve 880\* according to the rough-in dimensions of 73098T-4.

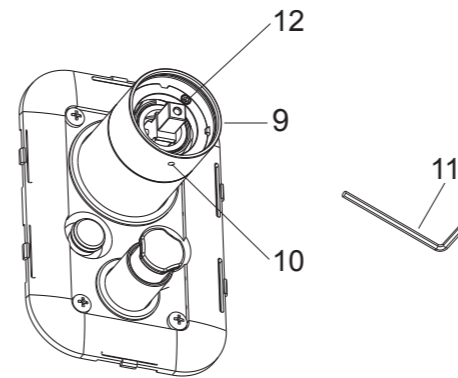
Loosen the screws(1), and remove the plastic guard(2) after completed the finished wall.



②

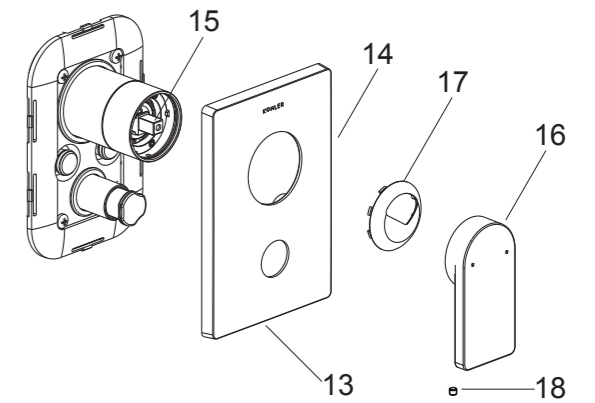
Slide the cover kit(3) onto the valve(4) with the plugs(5) facing outside. **NOTE:** Don't squeeze out the rings(6,7). Push it against the wall.

Secure it with the screw(8). Screw the sleeve assy(9) on the valve.



③

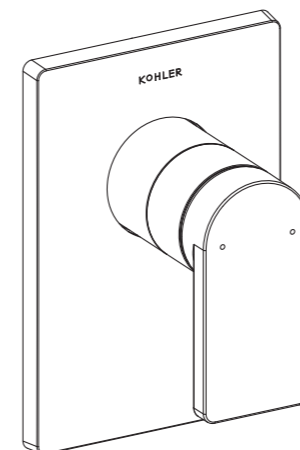
Make sure the hole(10) of sleeve assy(9) is downward. Tighten the three screws(12) in the sleeve assy by hex wrench(11) to secure the sleeve assy.



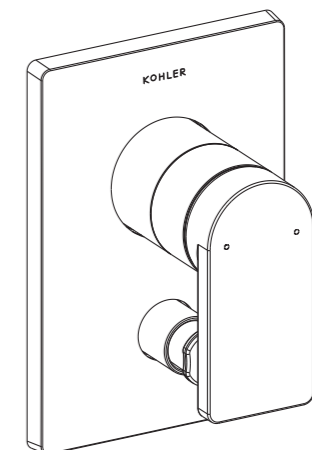
④

Slide the faceplate(14) onto the valve with slots(13) downwards. Push it against the wall. For ease of installation, push up the valve stem(15) for about 12° degrees. Make sure the bulge on bonnet(17) align with the slots in the sleeve assy. Press the bonnet into the sleeve assy.

Perassemble the screw(18) into the handle(16). Install the handle on the valve stem with the handle downwards. Tighten the screw from the bottom hole of sleeve to secure the handle by hex wrench.



73098T-4



73100T-4

The illustration shown is the correct position of the handle in the closed position.

## CLEANING INSTRUCTIONS

All Finishes: Clean the finish with mild soap and warm water. Wipe entire surface completely dry with clean soft cloth. Many cleaners may contain chemicals, such as ammonia, chlorine, toilet cleaner etc, which could adversely affect the finish and are not recommended for cleaning.

Do not use abrasive cleaners or solvents on Kohler faucets and fittings.