

- 7354-4 STILLNESS SINGLE HANDLE RECESSED B/S FAUCET TRIM
7359-4 STILLNESS SINGLE HANDLE RECESSED SHOWER FAUCET TRIM

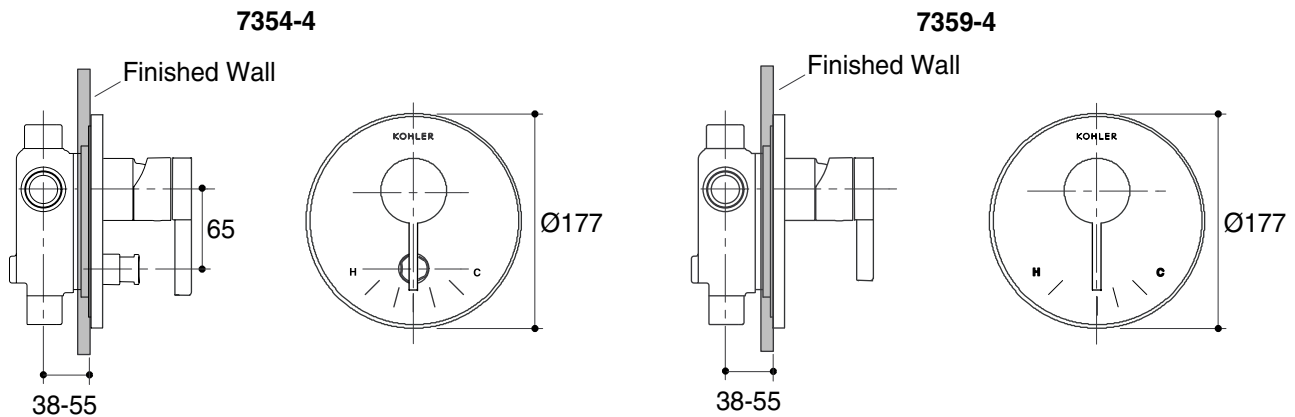
Before You Begin

All information is based on the latest product information at the time of publication. Kohler Co. reserves the right to make changes in product characteristics, packaging, or availability at any time without notice.

Please leave these instructions for the consumer. They contain important information.

- o Flush the water supply pipes thoroughly to remove debris.
- o Do not remove the plaster guard from the valve body until instructed to do so.
- o Install valve 880/882 according to the Rough-In dimensions provided below.

Rough-In Dimensions

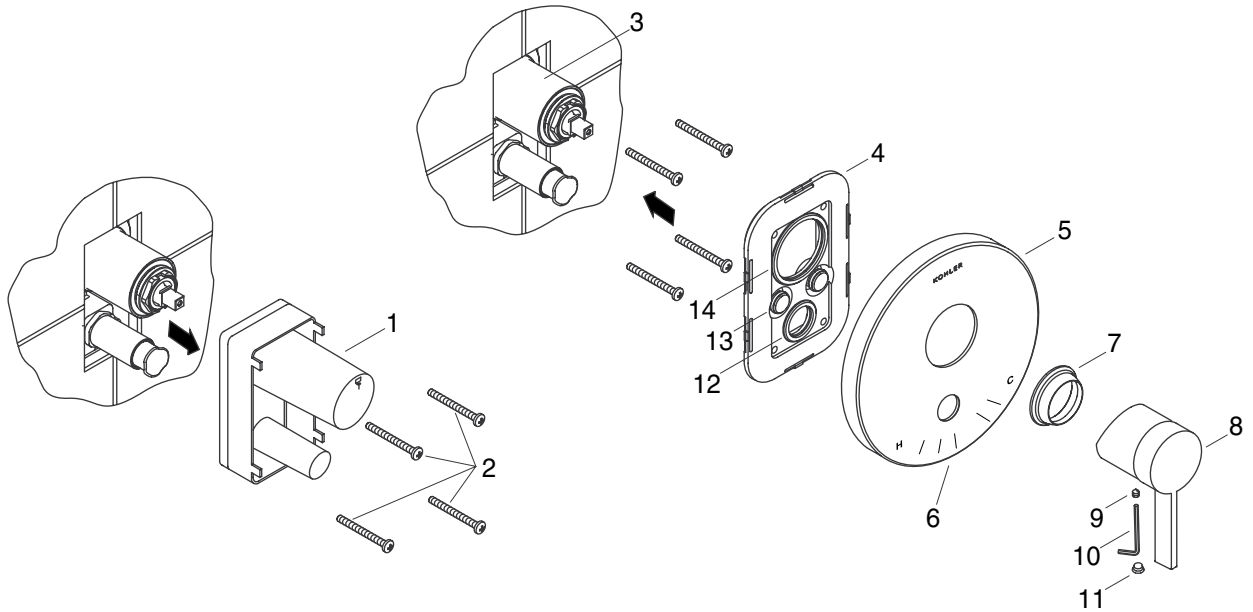


Cleaning Instructions

All finishes: Clean the finish with mild soap and warm water. Wipe entire surface completely dry with a clean, soft cloth. Many cleaners may contain chemicals such as ammonia, chlorine, toilet cleaner, etc. which could adversely affect the finish and are not recommended for cleaning.

Do not use abrasive cleaners or solvents on Kohler faucets and fittings.

Installation



Complete the finished wall.

Remove the four screws (2) and remove the plastic guard (1).

Note: Save the screws (2).

Slide the cover kit (4) onto the valve (3) with the plug (13) facing outside.

Note: Do not squeeze out the rings (12, 14).

Push the cover kit against the wall and secure it with the four screws (2).

Slide the faceplate (5) onto the valve with the slot (6) downward, and push it against the wall.

Screw the bonnet (7) onto the valve.

Install the handle (8):

Tighten the setscrew (9) with a hex wrench (10).

Press the plug button (11) into the hole with the red parts to the left.

Service Parts

3007136
Cover Kit
(Only for
7359-4)

3007134
Cover Kit
(Only for
7354-4)

3006903
Ring
(Only for
7354-4)

1142548-**
Faceplate
(Only for
7359-4)

1132147-**
Faceplate
(Only for
7354-4)

3006927-**
Bonnet

53414
Screw

1112027-**
Handle Base

1156641-**
Plug Button
Kit

1115142-**
Handle

833730
2.5mm Hex
Wrench

** Finish/color code must be specified when ordering.