

Features

- Fits all STERLING kitchen sinks with 2" – 2-1/4" (51 – 57 mm) drain holes

Material

- Stainless steel construction

Recommended Products/Accessories

- K-23726 Drain treatment
- K-23729 Stainless steel cleaner

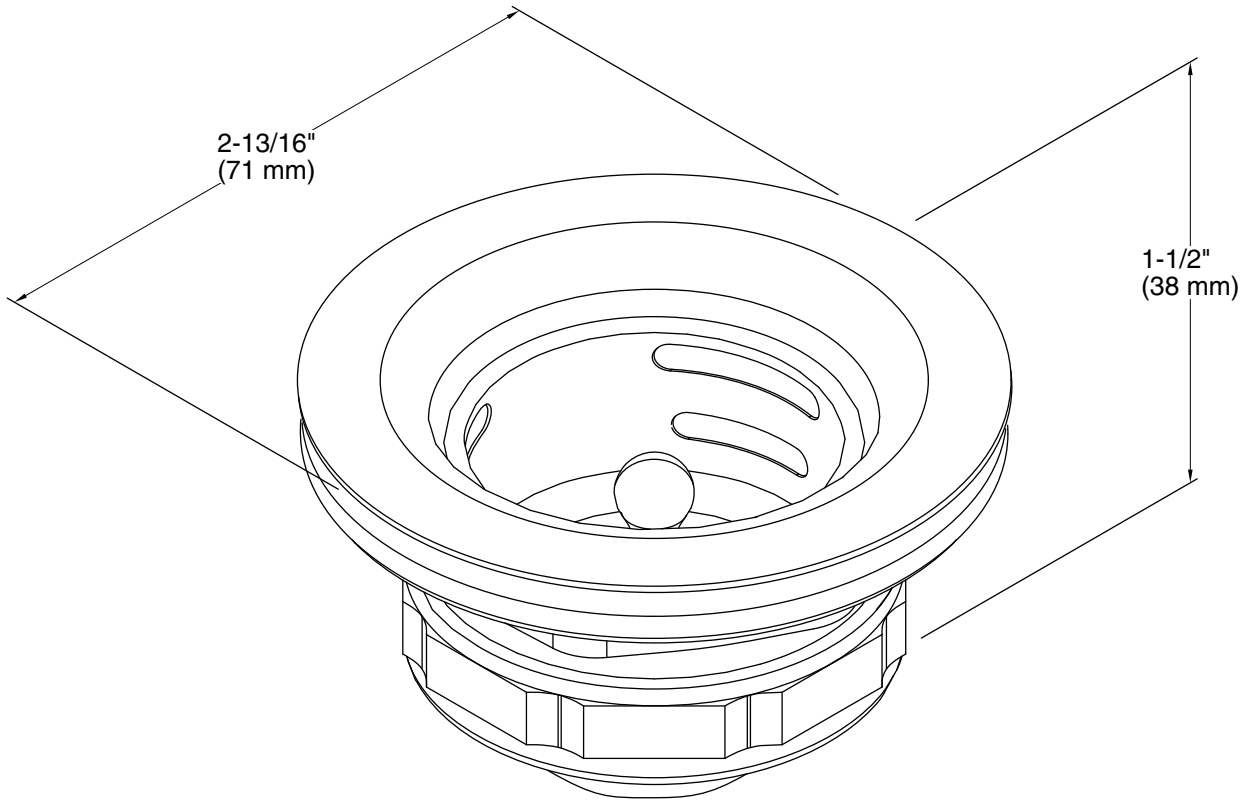


Codes/Standards

ASME A112.18.2/CSA B125.2

**STERLING® One-Year Limited
Warranty**

See website for detailed warranty information.



Technical Information

All product dimensions are nominal.

Material: Stainless Steel