

75524T-4 40mm Recessed Bath Shower Trim
75525T-4 40mm Recessed Shower Only Trim

BEFORE YOU BEGIN

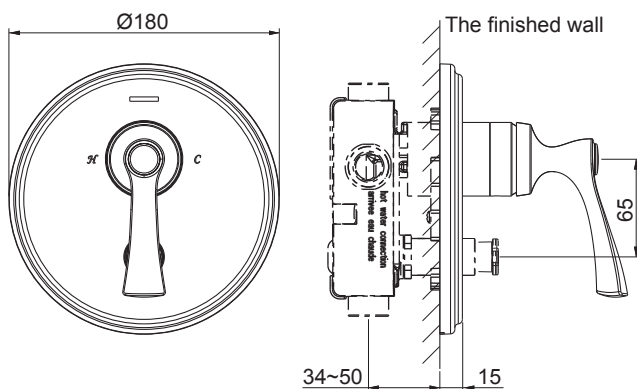
All information is based on the latest product information available at the time of publication. Kohler Co. reserves the right to make changes in product characteristics, packaging, or availability at any time without notice.

Please leave these instructions for the consumer. They contain important information.

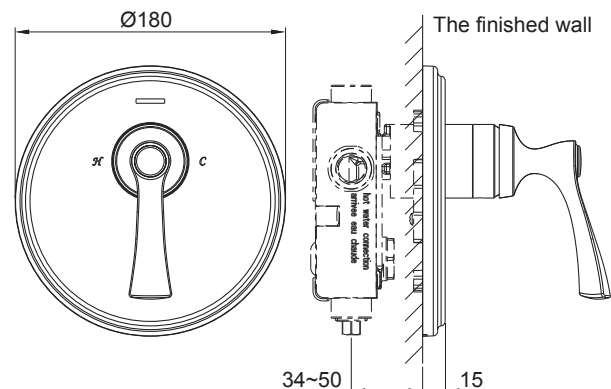
NOTES:

1. Flush the water supply pipes thoroughly to remove debris.
2. Do not remove the plaster guard from the valve body until instructed to.
3. Install valve 882T according to the rough-in dimensions of 75524T-4, install valve 880T according to the rough-in dimensions of 75525T-4.

ROUGH-IN DIMENSIONS

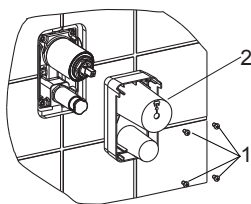


75524T-4



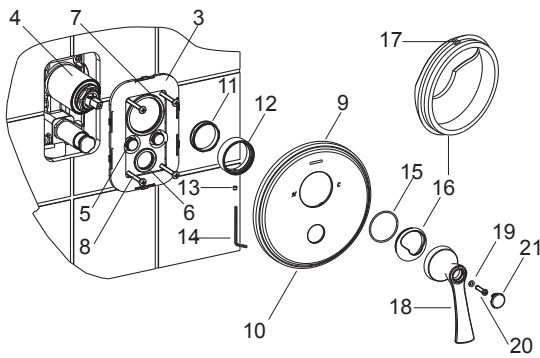
75525T-4

INSTALLATION



NOTE: Install valve 882T according to the rough-in dimensions of 75524T-4, Install valve 880T according to the rough-in dimensions of 75525T-4.

Loosen the screws(1), and remove the plastic guard(2) after completed the finished wall.



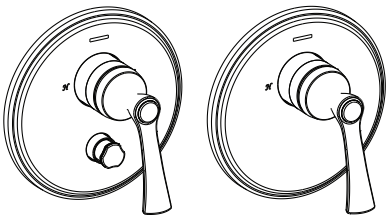
Slide the cover kit(3) onto the valve(4) with the plugs(5) facing outside(**NOTE:** Don't squeeze out the rings 6,7). Push it against the wall. Secure it with the screw(8).

Screw the bonnet(11) on the valve(4). Make sure the hole of sleeve(12) is downward. Tighten the screw(13) in the sleeve by hex wrench(14) to secure the sleeve.

Slide the faceplate(9) onto the valve with slots(10) downwards. Push it against the wall.

Install the O-ring(15) into the groove of the bonnet(16). Make sure the bulge(17) on bonnet align with the slots in the sleeve. Press the bonnet into the sleeve.

Install the handle(18) on the valve stem. Secure the handle by the screw(20) with washer(19). Press plug button(21) to the hole.



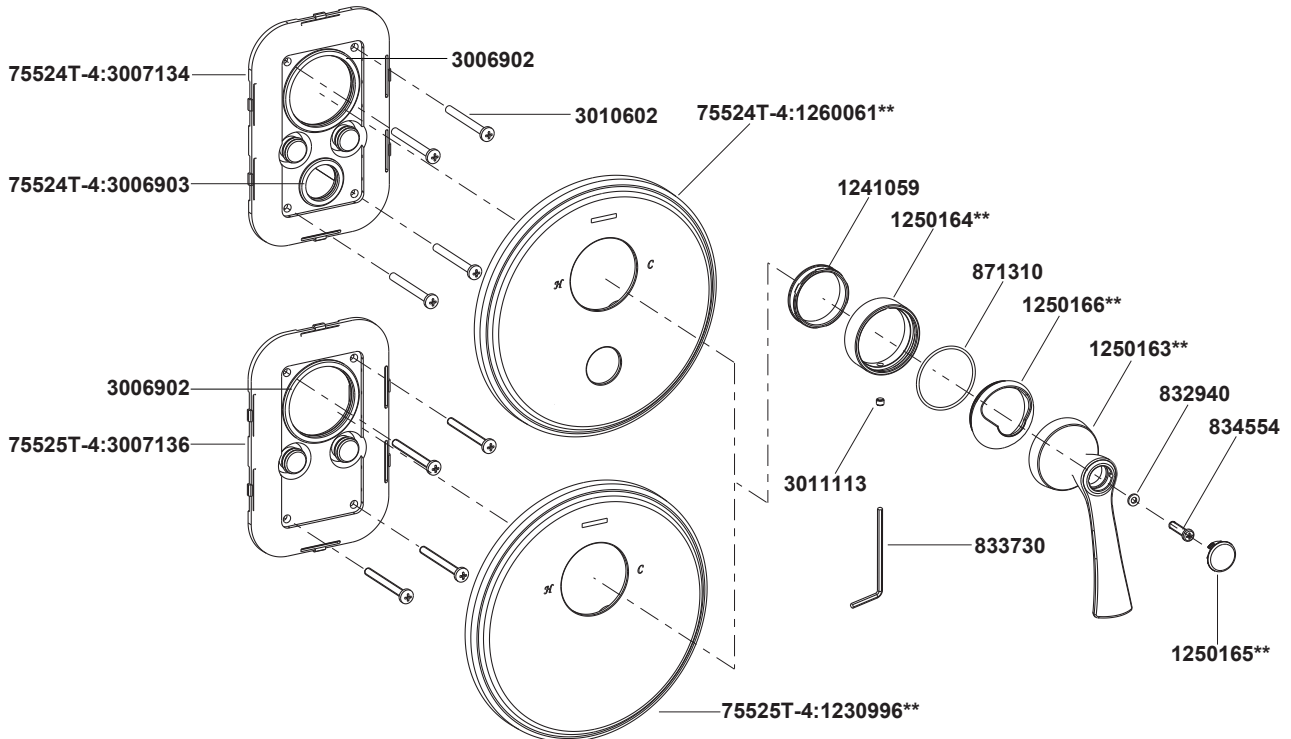
The illustration shown is the correct position of the handle in the closed position.

CLEANING INSTRUCTIONS

All Finishes: Clean the finish with mild soap and warm water. Wipe entire surface completely dry with clean soft cloth. Many cleaners may contain chemicals, such as ammonia, chlorine, toilet cleaner etc. which could adversely affect the finish and are not recommended for cleaning.

Do not use abrasive cleaners or solvents on Kohler faucets and fittings.

SERVICE PARTS



**Color code must be specified when ordering