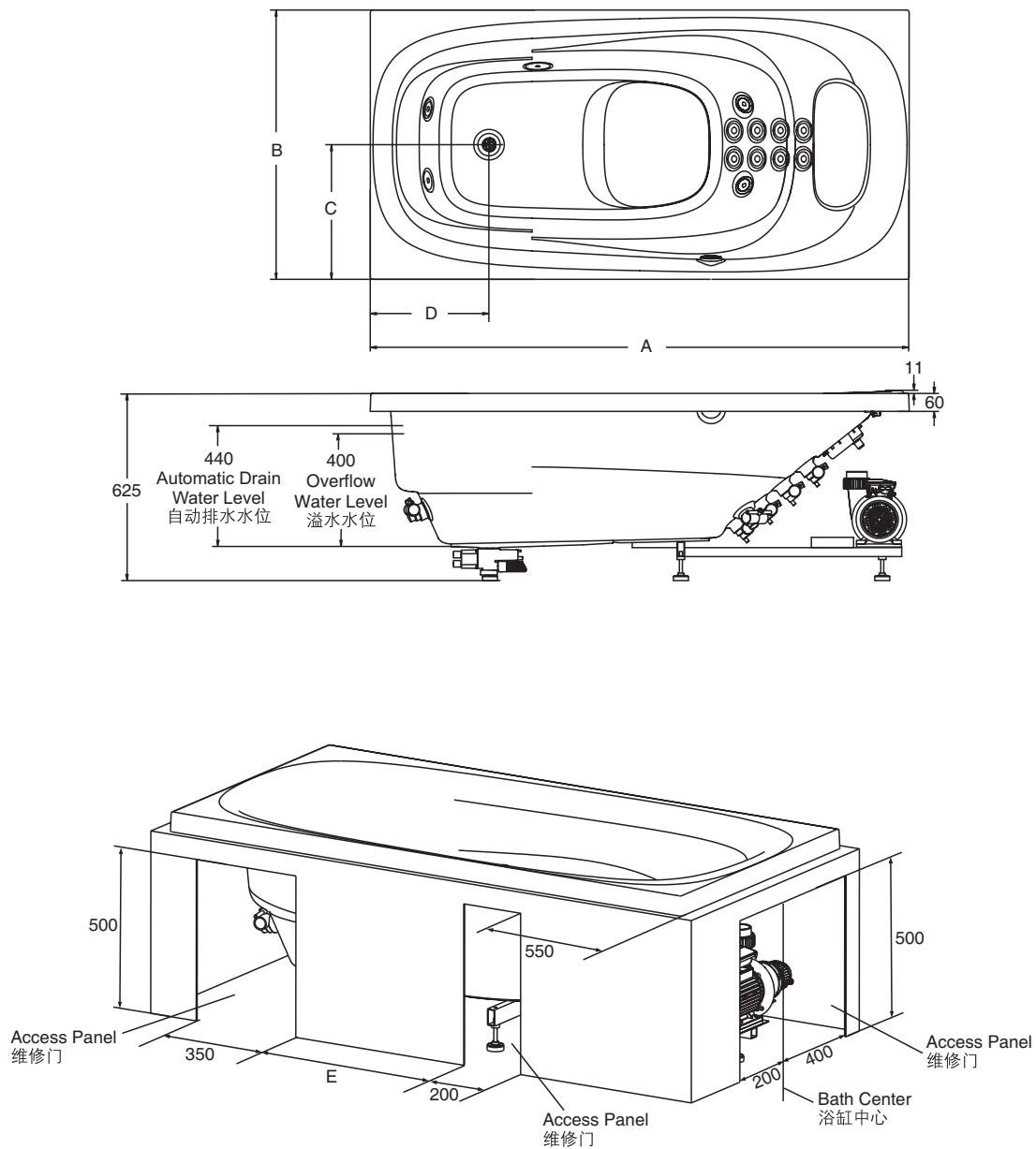
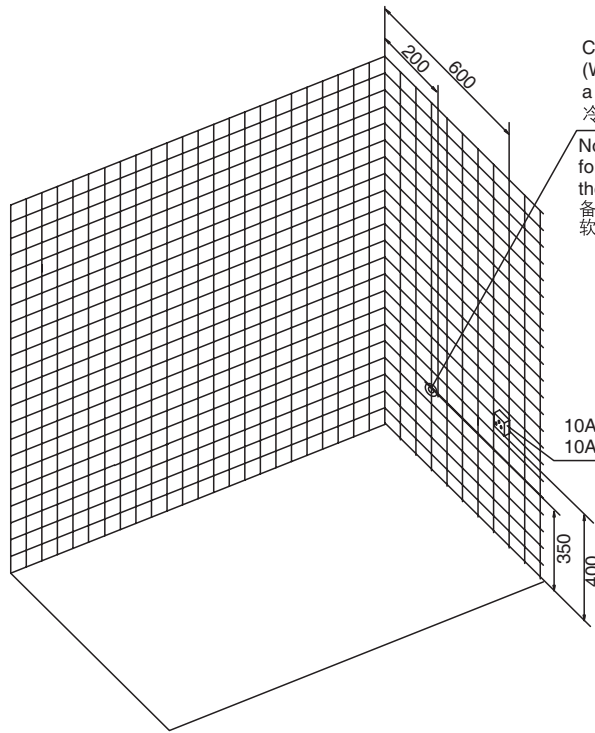


### ROUGHING-IN 产品尺寸图 (Unit:mm)(单位:毫米)



Roughing-in of  
Access Panel  
维修孔尺寸图



Cold Water Supply  
(With male thread G1/2)(It is suggested to install a valve at the cold water outlet)  
冷水管(外螺纹 G1/2)(建议冷水出口安装一个阀门)

Note: The cold water supply is used for pipe cleaning. Please connect it to the pipe cleaning inlet valve with a hose.  
备注: 此冷水管用于管道清洗。请用软管连接此供水管道和管道清洗进水阀。

10A Power with Waterproof Junction Box  
10A电源配防水接线盒

Note: Please arrange the power wires and pipes on the wall where the pump locates. If the pump is on the right wall, the arrangements are as shown. If the pump is on the left wall, the arrangements are symmetry to the picture shown.  
注: 请将电源和水管布置在靠水泵侧墙面上。如图是水泵靠右侧安装的水电布置。如果水泵需要靠左侧墙, 水电布置尺寸与此图对称。

Suggestion: Install the control panel at the outer side for the convenience of maintenance.  
建议: 控制面板靠外侧安装, 以便于维修。

Three-dimension installation roughing-in  
立体安装尺寸图

ROUGHING-IN 尺寸表 (Unit:mm)(单位: 毫米)

Product Name 产品名称	SKU	A Length 长	B Width 宽	C Drain Center 排水中心位置	D Drain Center 排水中心位置	E Access Panel 维修门相关尺寸
KARESS 1.6m DI WP W/ EDRAIN 皓玥1.6米嵌入式按摩浴缸	K-76441H-NW	1600	800	400	243	270
KARESS 1.6m DI WP W/ EDRAIN & GR 皓玥1.6米嵌入式按摩浴缸(含扶手)	K-76441H-NWGR	1600	800	400	243	270
KARESS 1.7m DI WP W/ EDRAIN 皓玥1.7米嵌入式按摩浴缸	K-76442H-NW	1700	800	400	318	370
KARESS 1.7m DI WP W/ EDRAIN & GR 皓玥1.7米嵌入式按摩浴缸(含扶手)	K-76442H-NWGR	1700	800	400	318	370
KARESS 1.8m DI WP W/ EDRAIN 皓玥1.8米嵌入式按摩浴缸	K-76445H-NW	1800	900	450	396	590
KARESS 1.8m DI WP W/ EDRAIN & GR 皓玥1.8米嵌入式按摩浴缸(含扶手)	K-76445H-NWGR	1800	900	450	396	590

## PRODUCT INFORMATION 产品信息

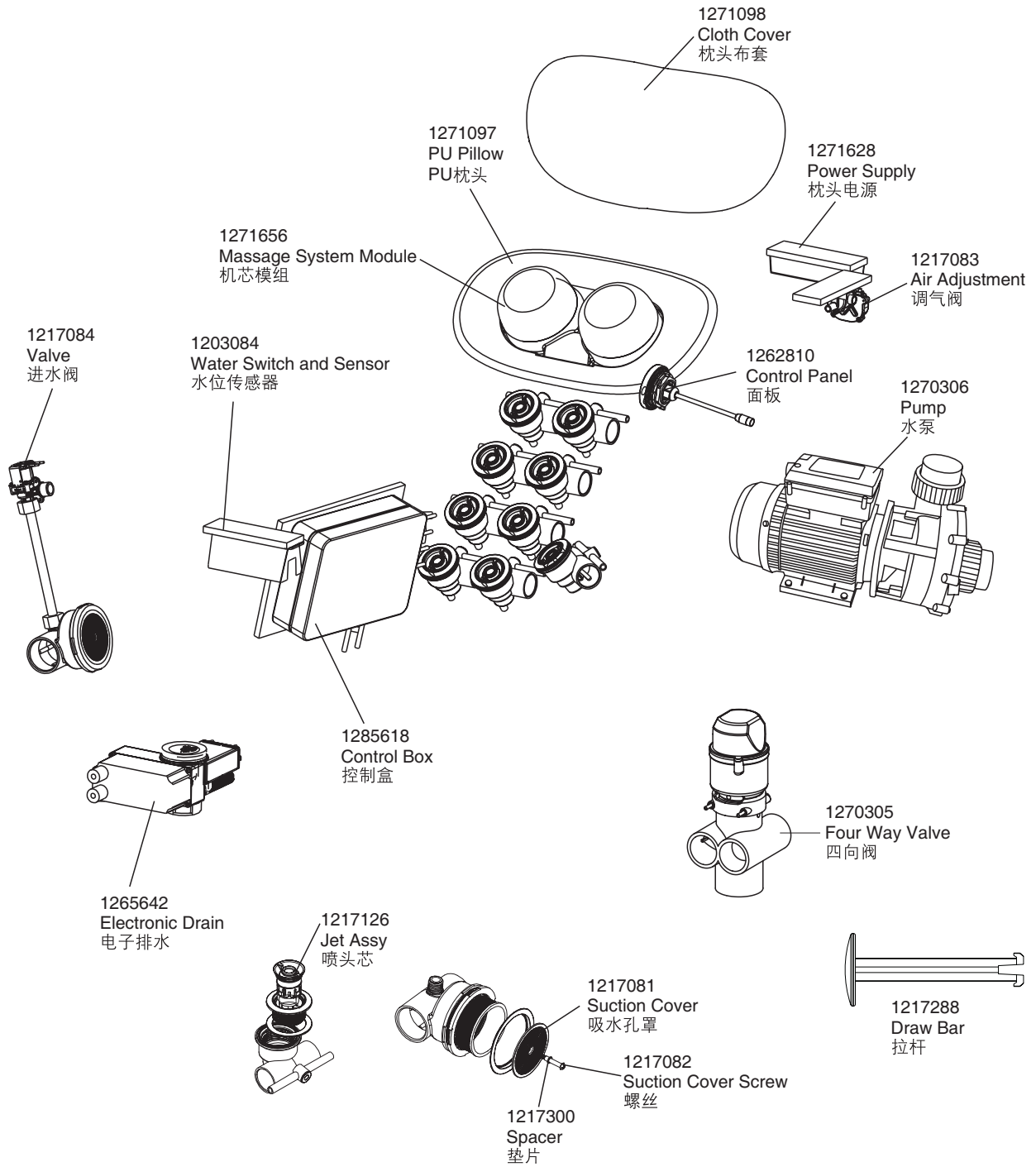
Dedicated branch circuit required, protected with Class A Ground-Fault Circuit-Interrupt (GFCI): 需要专用的分支电路, 并以A级接地事故断路器(GFCI)保护:	
Voltage And Frequency 额定电压及频率	220V(伏特), 50Hz(赫兹)
Input Power 额定输入功率	1400W(瓦)
Overflow Depth 溢水深度 (To Overflow 至溢水水位)	400mm (毫米)
Automatic Drain Water Level 自动排水水位	440mm (毫米)

Product Name 产品名称	SKU	Capacity (To Overflow) 水容量 (至溢水水位) L(升)	Weight(kg) 重量(公斤)	Cut-out Size (mm X mm) 台面开孔尺寸 (毫米X毫米)	Max Top Length And Width (mm X mm) 最大顶部长度, 最大顶部宽度(毫米X毫米)	Max Bottom Length And Width (mm X mm) 最大底部长度, 最大底部宽度(毫米X毫米)
KARESS 1.6m DI WP W/ EDRAIN 皓玥1.6米嵌入式按摩浴缸	K-76441H-NW	221	69	1580 X 780	1584 X 770	850 X 476
KARESS 1.6m DI WP W/ EDRAIN & GR 皓玥1.6米嵌入式按摩浴缸(含扶手)	K-76441H-NWGR	221	70	1580 X 780	1584 X 770	850 X 476
KARESS 1.7m DI WP W/ EDRAIN 皓玥1.7米嵌入式按摩浴缸	K-76442H-NW	233	71	1680 X 780	1684 X 766	843 X 490
KARESS 1.7m DI WP W/ EDRAIN & GR 皓玥1.7米嵌入式按摩浴缸(含扶手)	K-76442H-NWGR	233	72	1680 X 780	1684 X 766	843 X 490
KARESS 1.8m DI WP W/ EDRAIN 皓玥1.8米嵌入式按摩浴缸	K-76445H-NW	276	73	1780 X 880	1784 X 850	864 X 432
KARESS 1.8m DI WP W/ EDRAIN & GR 皓玥1.8米嵌入式按摩浴缸(含扶手)	K-76445H-NWGR	276	74	1780 X 880	1784 X 850	864 X 432

## Accessories 配件信息

Grip Rail 扶手 (For-NWGR Model, -NWGR型号配有) .....K-1148886-CP

- Note:** 1. Tolerance for bath dimensions is  $\pm 5$ mm. Bath weight is average value and is for reference only.  
2. Compiled information is subject to change without prior notice.  
3. Bottom shapes of 1.6m bath and 1.7m bath are slightly different.
- 注意: 1. 浴缸长、宽、高尺寸的公差是 $\pm 5$ 毫米, 重量是平均值, 仅供参考。  
2. 收录信息如有变动恕不另行通知。  
3. 1.6米浴缸和1.7米浴缸底部形状略有不同。



\* Color code must be specified when ordering  
 \* 订货时必须指明颜色代码