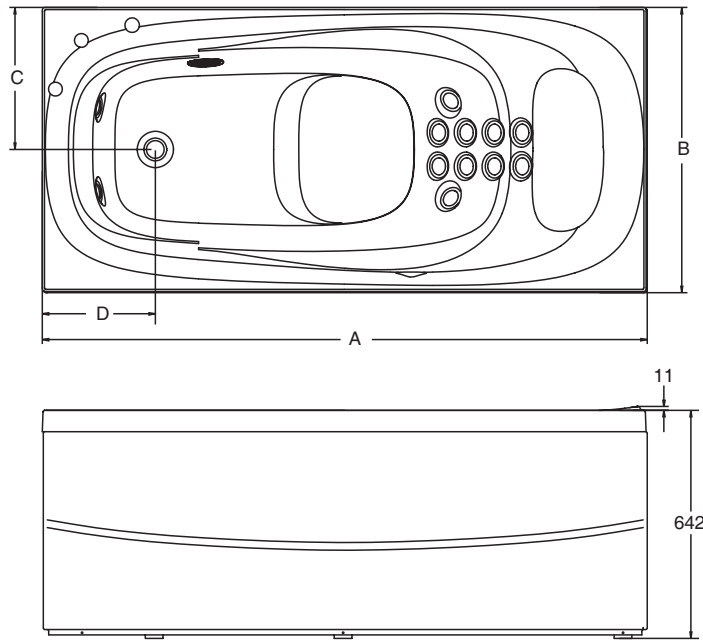
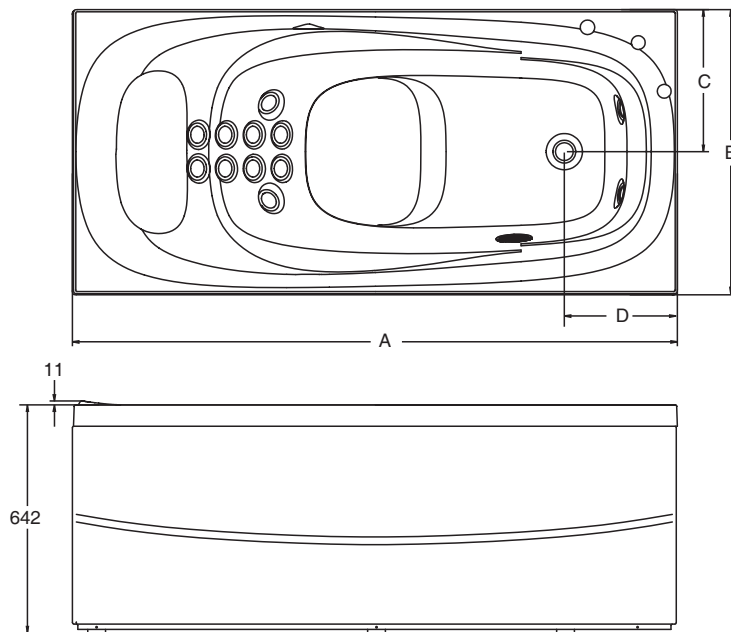


### ROUGHING-IN 产品尺寸图 (Unit:mm)(单位:毫米)

Left Hand Bath 左角位浴缸  
K-76446H-NW/K-76446H-NWGR/K-76448H-NW/K-76448H-NWGR



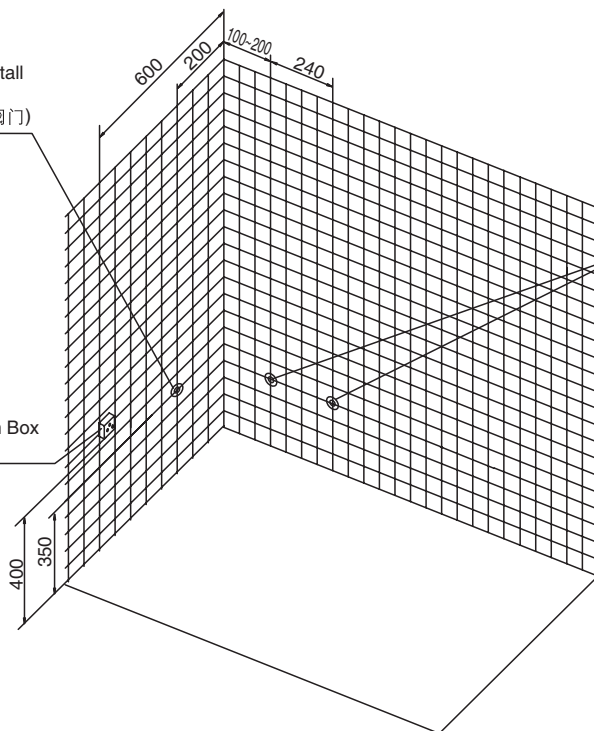
Right Hand Bath 右角位浴缸  
K-76447H-NW/K-76447H-NWGR/K-76449H-NW/K-76449H-NWGR



Cold Water Supply  
 (With male thread G1/2)(It is suggested to install  
 a valve at the cold water outlet)  
 冷水管(外螺纹 G1/2)(建议冷水出口安装一个阀门)

Note: The cold water supply is used  
 for pipe cleaning. Please connect it to  
 the pipe cleaning inlet valve with a hose.  
 备注: 此冷水管用于管道清洗。请用  
 软管连接此供水管道和管道清洗进水阀。

10A Power with Waterproof Junction Box  
 10A电源配防水接线盒



Cold and hot pipes of faucet  
 A valve is recommended  
 龙头用冷热水管  
 建议出水口安装阀门

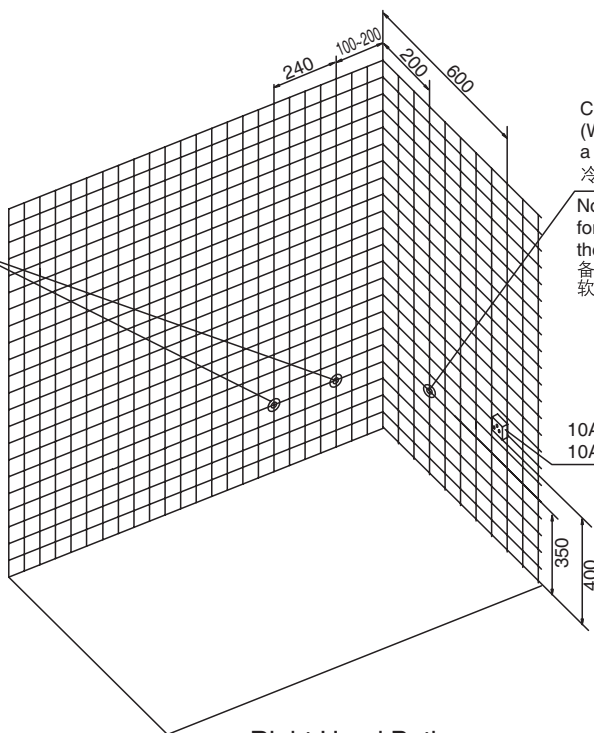
Left Hand Bath  
 左角位浴缸

Cold and hot pipes of faucet  
 A valve is recommended  
 龙头用冷热水管  
 建议出水口安装阀门

Cold Water Supply  
 (With male thread G1/2)(It is suggested to install  
 a valve at the cold water outlet)  
 冷水管(外螺纹 G1/2)(建议冷水出口安装一个阀门)

Note: The cold water supply is used  
 for pipe cleaning. Please connect it to  
 the pipe cleaning inlet valve with a hose.  
 备注: 此冷水管用于管道清洗。请用  
 软管连接此供水管道和管道清洗进水阀。

10A Power with Waterproof Junction Box  
 10A电源配防水接线盒



Right Hand Bath  
 右角位浴缸

Three-dimension installation roughing-in  
 立体安装尺寸图

# ROUGHING-IN 尺寸表 (Unit:mm)(单位: 毫米)

Product Name 产品名称	SKU	A Length 长	B Width 宽	C Drain Center 排水中心位置	D Drain Center 排水中心位置
KARESS 1.6m IN. WP W/FCT & EDRN LH 皓玥1.6米整体化按摩浴缸(左角位)	K-76446H-NW	1603	803	400	243
KARESS 1.6m IN. WP W/FCT & EDRN & GR LH 皓玥1.6米整体化按摩浴缸(左角位, 含扶手)	K-76446H-NWGR	1603	803	400	243
KARESS 1.6m IN. WP W/FCT & EDRN RH 皓玥1.6米整体化按摩浴缸(右角位)	K-76447H-NW	1603	803	400	243
KARESS 1.6m IN. WP W/FCT & EDRN & GR RH 皓玥1.6米整体化按摩浴缸(右角位, 含扶手)	K-76447H-NWGR	1603	803	400	243
KARESS 1.7m IN. WP W/FCT & EDRN LH 皓玥1.7米整体化按摩浴缸(左角位)	K-76448H-NW	1703	803	400	318
KARESS 1.7m IN. WP W/FCT & EDRN & GR LH 皓玥1.7米整体化按摩浴缸(左角位, 含扶手)	K-76448H-NWGR	1703	803	400	318
KARESS 1.7m IN. WP W/FCT & EDRN RH 皓玥1.7米整体化按摩浴缸(右角位)	K-76449H-NW	1703	803	400	318
KARESS 1.7m IN. WP W/FCT & EDRN & GR RH 皓玥1.7米整体化按摩浴缸(右角位, 含扶手)	K-76449H-NWGR	1703	803	400	318

## PRODUCT INFORMATION 产品信息

Dedicated branch circuit required, protected with Class A Ground-Fault Circuit-Interrupt (GFCI): 需要专用的分支电路, 并以A级接地事故断路器(GFCI)保护:	
Voltage And Frequency 额定电压及频率	220V(伏特), 50Hz(赫兹)
Input Power 额定输入功率	1400W(瓦)
Overflow Depth 溢水深度 (To Overflow 至溢水水位)	400mm (毫米)
Automatic Drain Water Level 自动排水水位	440mm (毫米)

Product Name 产品名称	SKU	Capacity (To Overflow) 水容量 (至溢水水位) L(升)	Weight(kg) 重量(公斤)	Max Top Length And Width (mm X mm) 最大顶部长度, 最大顶部宽度(毫米X毫米)	Max Bottom Length And Width (mm X mm) 最大底部长度, 最大底部宽度(毫米X毫米)
KARESS 1.6m IN. WP W/FCT & EDRN LH 皓玥1.6米整体化按摩浴缸(左角位)	K-76446H-NW	221	83	1584 X 770	850 X 476
KARESS 1.6m IN. WP W/FCT & EDRN & GR LH 皓玥1.6米整体化按摩浴缸(左角位, 含扶手)	K-76446H-NWGR	221	84	1584 X 770	850 X 476
KARESS 1.6m IN. WP W/FCT & EDRN RH 皓玥1.6米整体化按摩浴缸(右角位)	K-76447H-NW	221	83	1584 X 770	850 X 476
KARESS 1.6m IN. WP W/FCT & EDRN & GR RH 皓玥1.6米整体化按摩浴缸(右角位, 含扶手)	K-76447H-NWGR	221	84	1584 X 770	850 X 476
KARESS 1.7m IN. WP W/FCT & EDRN LH 皓玥1.7米整体化按摩浴缸(左角位)	K-76448H-NW	233	86	1684 X 766	843 X 490
KARESS 1.7m IN. WP W/FCT & EDRN & GR LH 皓玥1.7米整体化按摩浴缸(左角位, 含扶手)	K-76448H-NWGR	233	87	1684 X 766	843 X 490
KARESS 1.7m IN. WP W/FCT & EDRN RH 皓玥1.7米整体化按摩浴缸(右角位)	K-76449H-NW	233	86	1684 X 766	843 X 490
KARESS 1.7m IN. WP W/FCT & EDRN & GR RH 皓玥1.7米整体化按摩浴缸(右角位, 含扶手)	K-76449H-NWGR	233	87	1684 X 766	843 X 490

## Accessories 配件信息

Grip Rail 扶手 (For-NWGR Model, -NWGR型号配有) .....K-1148886-CP  
Faucet 龙头 .....K-72292T-4-CP

**Note:** 1. Tolerance for bath dimensions is  $\pm 5$ mm. Bath weight is average value and is for reference only.

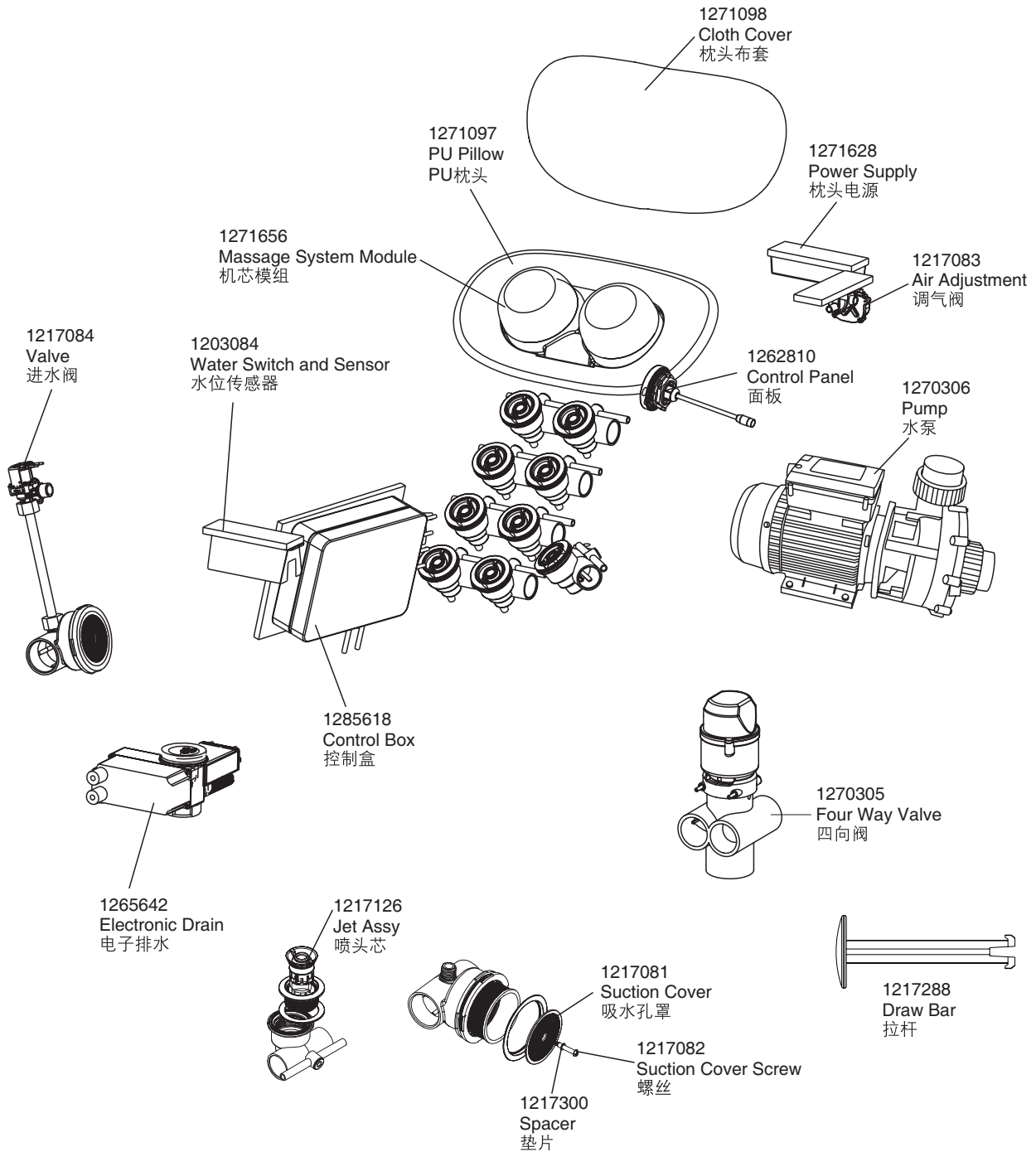
2. Compiled information is subject to change without prior notice.

3. Bottom shapes of 1.6m bath and 1.7m bath are slightly different.

注意: 1. 浴缸长、宽、高尺寸的公差是  $\pm 5$ 毫米, 重量是平均值, 仅供参考。

2. 收录信息如有变动恕不另行通知。

3. 1.6米浴缸和1.7米浴缸底部形状略有不同。



\* Color code must be specified when ordering  
 \* 订货时必须指明颜色代码