

BEFORE YOU BEGIN

安装之前

- Please read these instructions carefully to familiarize yourself with the required tools, materials, and installation sequences. Follow the sections that pertain to your particular installation. This will help you avoid costly mistakes. In addition to proper installation, read all operating and safety instructions.
- All information in these instructions is based upon the latest product information available at the time of publication. Kohler China reserves the right to make changes in product characteristics, packaging, or availability at any time without notice.
- These instructions contain important care, cleaning, and warranty information-**please leave instructions for the consumer.**
- Before installation carefully inspect the new fixture for any signs of damage.
- This product complies with GB 24977-2010.



WARNING: Risk of injury or product damage. Tempered glass cannot be cut.



WARNING: Don't use acidic or alkalic cleaners or alcohol to clean the wooden surface. Use a dampened cloth to clean.



WARNING: Risk of electrical shock. A licensed electrician should make all electrical connections.



WARNING: Risk of electrical shock. Connect only to a circuit protected by a typical two-pole circuit breaker.



WARNING: Risk of electrical shock. Disconnect power before servicing.

- 请仔细阅读本指引，以便熟悉所需工具、物料及安装程序。请遵照适用的章节来安装本产品，以免安装失当导致不必要的损失。除了有关正确的安装方法之外，还务请详细阅读所有操作及安全指引。
- 本指引所载之一切资料，均以印刷时所有之最新产品情况为基础，科勒中国保留权利随时更改产品特性、包装或供应情况，恕不另行通知。
- 本指引也包含了有关保养、清洁及担保等重要资料-请交予用户保存。
- 安装之前，仔细检查产品是否有损伤。
- 本产品符合GB 24977-2010。



警告：可能有人员伤害或者产品损坏的危险。钢化玻璃不能进行切割。



警告：木质表面不能用含酸或碱性的清洁剂以及酒精清洁，请用潮布清洁。



警告：有触电的危险。请找合格的电工来进行所有的线路连接。



警告：有触电的危险。仅能和双极型断路器保护的电路连接。



警告：有触电的危险。工作之前先切断电源。

ACCESSORIES LIST

附件清单



Wall Anchors
入墙胶粒
4PCS



Screws ST3.5 × 35
盘头自攻螺钉ST3.5 × 35
4PCS

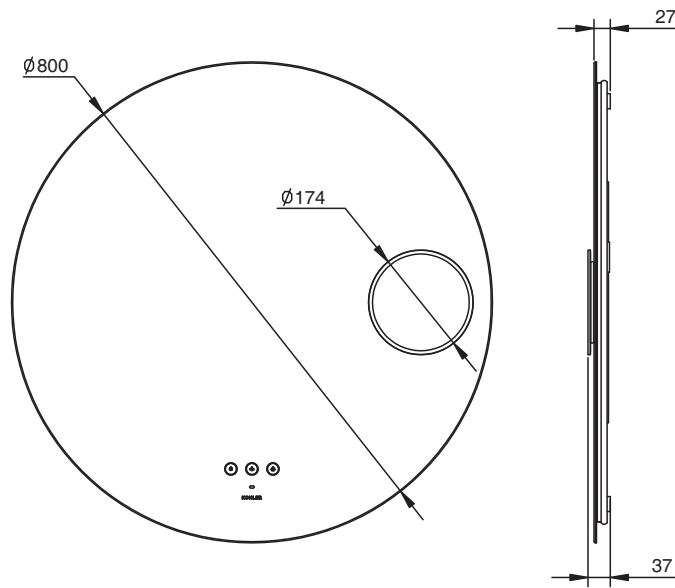
ZHONGSHAN KOHLER SHOWER CO., LTD. NO13-1, XINYE ROAD, ZHONGSHAN TORCH
DEVELOPMENT ZONE, ZHONGSHAN, GUANGDONG, CHINA POST CODE: 528437
中山科勒卫浴有限公司 广东省中山市中山火炬开发区兴业路13-1号 邮编：528437

ROUGHING-IN

尺寸图

Reference Value
参考值

UNIT : mm
单位: 毫米



Kohler reserves the right to change marked dimensions without prior notice.
科勒公司保留随时变更图中标示尺寸的权利，无需另行通知。

ELECTRICAL COMPONENTS LIST

电器部件清单

Item	Electrical Function	Type Description	Fixate Place
1	Defogger	Input: 12V, Pmax=15W	Back of Outer-mirror
2	Lighting	Input: 12V, Pmax=15W	Round the back mirror bracket

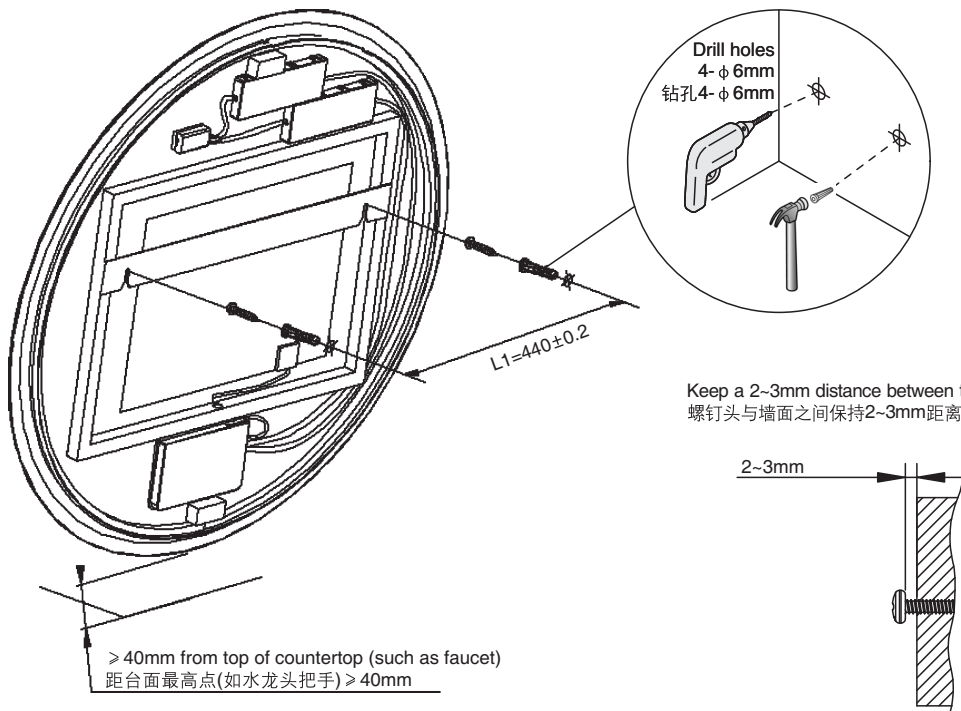
序号	电器功能	规格描述	安装位置
1	防雾膜	Input: 12V, Pmax=15W	贴镜子背面
2	灯具	Input: 12V, Pmax=15W	贴镜子背面圆形支架

INSTALLATION

安装

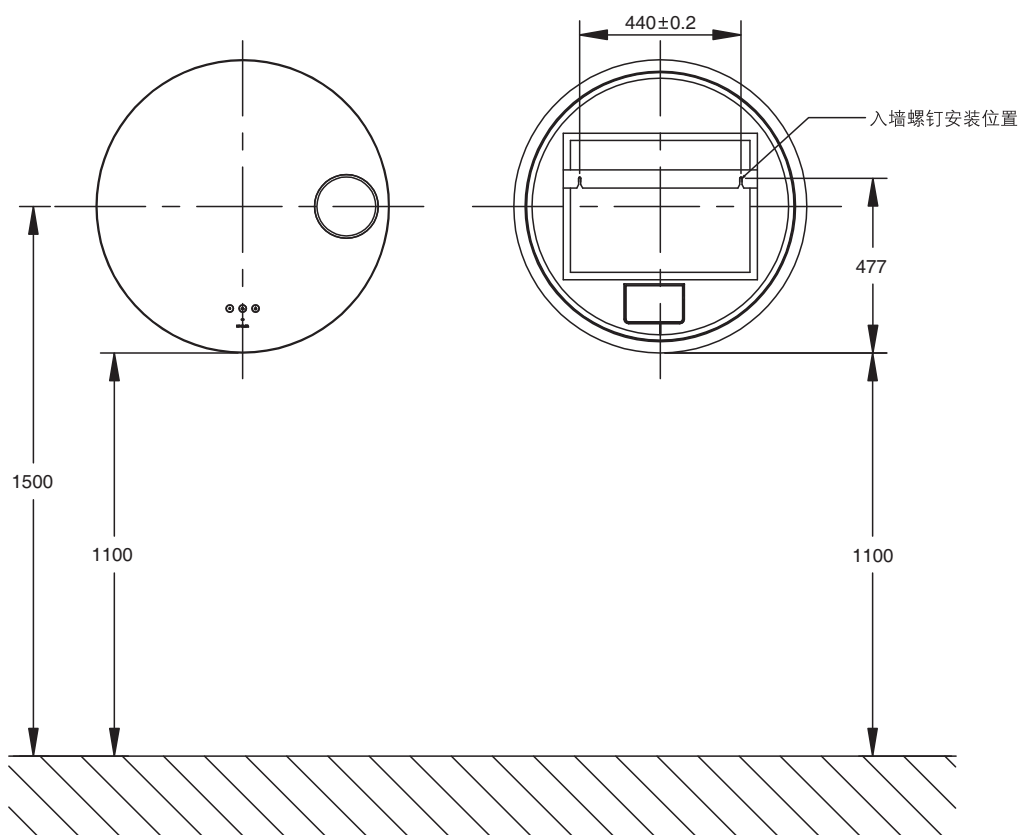
Step 1: Drill holes at desired positions and fix two screws at the same level. Keep a 2~3mm distance between the wall and screw head.

步骤一: 安装固定螺钉，根据高度需要确定固定螺钉位置，钻孔安装螺钉，两螺钉保持水平。螺钉入墙后保证螺钉头与墙面之间保持2~3mm距离。



Recommended installation height(adjustable if necessary).
Unit: mm

挂镜安装高度参考(实际安装高度按照用户需要可作调整), 单位: mm

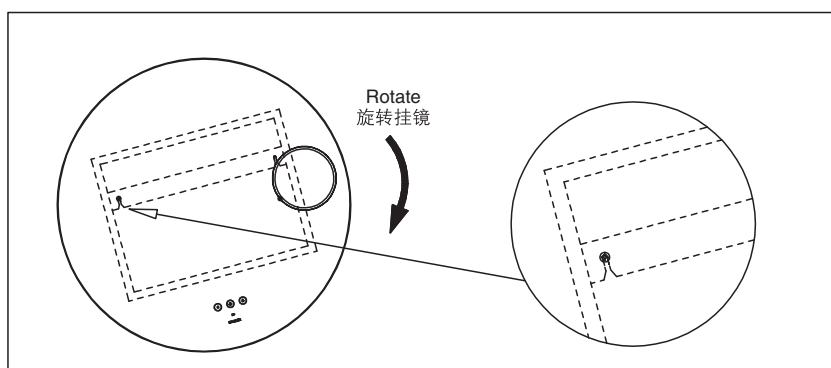
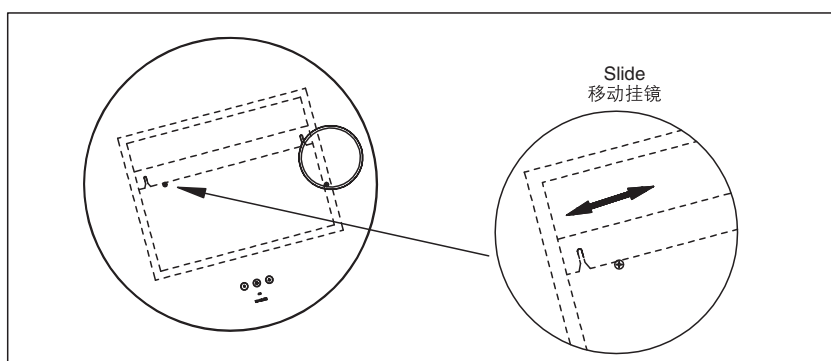


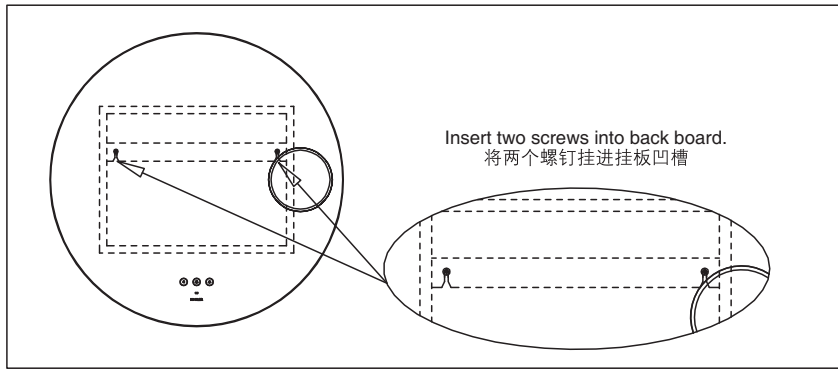
Step 2: Install mirror

1. Hang one side of the back board on to the screw on the wall.
2. Slide the back board left and right to insert the screw into the groove.
3. Rotate the mirror around the inserted screw to hang the other side of the back board onto the other screw.

步骤二：安装挂镜

1. 先将挂镜背后挂板一侧挂进入墙螺钉。
2. 挂板沿入墙螺钉左右移动，将螺钉卡进挂板凹槽。
3. 以已挂进凹槽螺钉为轴旋转挂镜，将挂板另一侧凹槽挂进入墙螺钉。



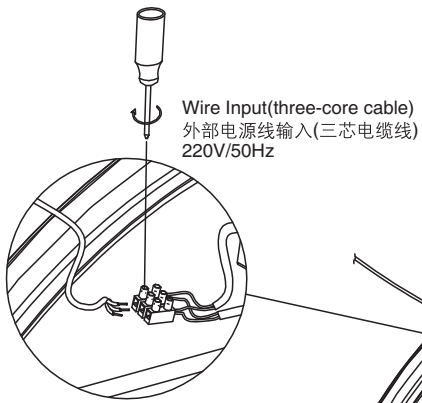


Operation

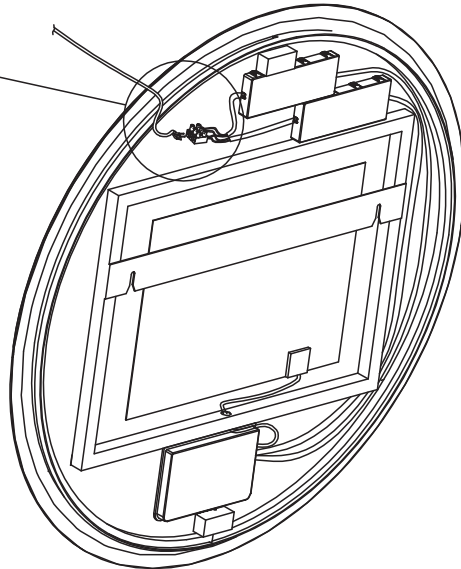
1. Power on

挂镜操作控制

1. 接通电源

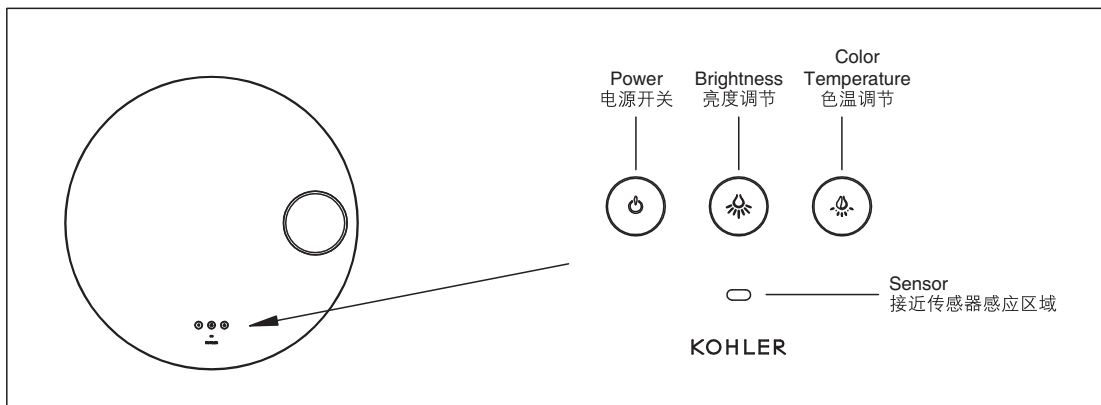


Fixture 接线座	Outlet 电源电线	Wiring Color 电线颜色
L	Hot 火线	Brown 棕色线
	Ground 地线	Yellow&Green 黄绿色线
N	Neutral 零线	Blue 蓝色线



Button Functions

挂镜按键功能说明

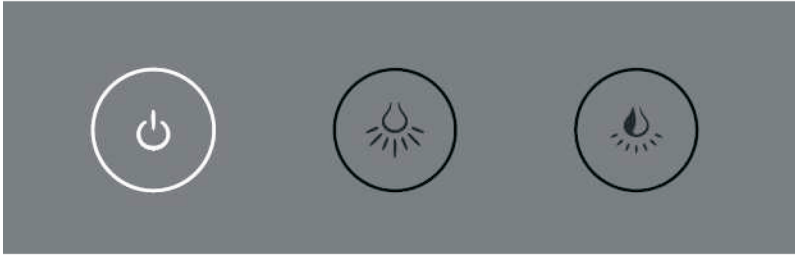





Button Operation

按键操作说明

1. Plug in and the power light on.

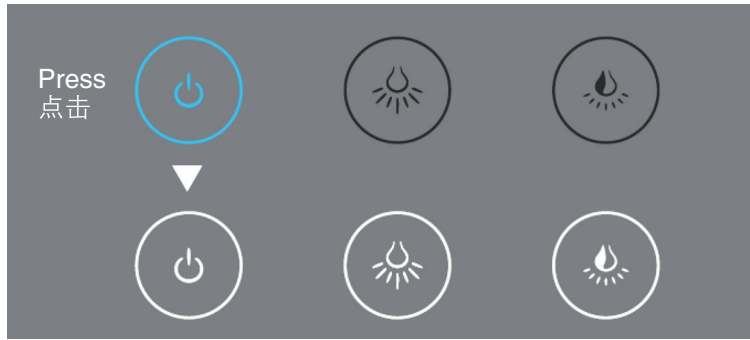
1. 接通电源，电源开关灯亮。



-  Operable/ Functioning
可操作/工作中效果
-  After pressing
点击效果
-  Not operable/ Closed
不可操作/关闭状态

2. Press power button. Power light is on and sensor starts. Brightness and color temperature buttons are adjustable. Defogger is on.

2. 点击电源开关，灯缓慢亮起，接近感应器启动，亮度及色温键亮起可供调整，同时防雾膜开启。



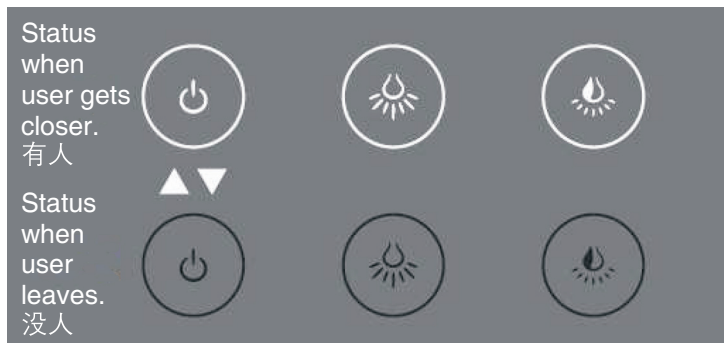
3 modes for brightness adjustment and 3 modes for color temperature adjustment. 亮度调节档位为3档，色温调节档位为3档。

Situation one

(User leaves sensor area when light is on.)
Sensor detects that nobody is in front of the mirror. The light slowly goes off. The defogger closes after 30 minutes. The mirror stands by.

场景一

(用户在开灯状态下，直接离开感应区域)
接近传感器感应到没人在镜子前面，灯光延时熄灭，防雾膜延迟30分钟关闭，按键熄灭进入待机状态。



When someone gets close to the mirror, the light slowly goes on. When the three lights are white, the mirror is ready for use. (As illustrated.)
之后如果有人接近镜子感应区域，灯光缓慢亮起。三个按键亮白灯表示工作状态可以点击。
(显示方式同上述有人/没人状态)

Situation two

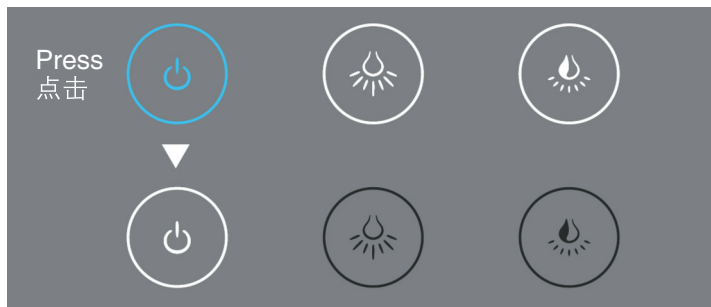
(User press power button when the light is on.)

The light slowly goes off. The defogger closes after 30 minutes. The buttons are under factory set status.

场景二

(用户在镜前开灯状态下，点击电源开关关灯)

灯光缓慢熄灭，防雾膜延迟30分钟关闭。按键进入出厂上电状态。



* Long press brightness and color temperature buttons to quickly shift between different modes.

* 亮度与色温开关，用户长按可以快速在档位间跳转。

USER MAINTENANCE

日常维护

Warn! Risk of product damage.

警告！小心产品受损。

1. Many cleansers contain abrasive and chemical substance which is not suitable for cleaning stainless steel, enamel, plating or plastic products. You may use mild cleansers or soaps to clean the surfaces. Wipe any splashes of cleaner solutions from the surface with clean soft cloth.
2. Maintain ventilation in the bathroom, and separate the dry area from the damp one if conditions permit. Try to open the door and windows of the bathroom and maintain good ventilation.
3. Kohler mirrored cabinet are dealt with strict procedures for damp-proof, whose good damp-proof function ensures good performance even in bathroom of huge humidity. Yet do not splash and pour water directly on the mirrored cabinet. Make sure that the bathroom is not over damp and wipe any splashes from surfaces immediately.
4. Maintenance of door board: Clean and wipe door board regularly, and wipe the condensation vapor with dry and soft cloth.
5. The mirrored cabinet door and interior are constructed of mirror and aluminum. Use only a damp cloth to clean. Spray the cloth, not the mirror when cleaning. Mirrors are damaged by the use of ammonia or vinegar based cleaners. Rubbing alcohol can be used for stubborn stains.
6. Use no abrasive cleansers on any part of the mirrored cabinet.
7. The white frame should be cleaned with a damp cloth only.

1. 许多清洁剂都含有研磨剂及化学物质，不可用于清洁不锈钢、搪瓷、镀层或塑料制品。这些表面须使用温和的清洁剂或皂液进行清洁，将残余洗涤剂洗干净，然后用干净的软布擦干。
2. 卫生间请保持良好的通风状态，有条件的可以干、湿分离，平常尽量保持浴室空气畅通，养成开窗开门的习惯。
3. 科勒镜柜都经过严格的防潮处理，但防潮并不是防水，使用时不可随意任镜柜被水浇、溅。良好的防潮性能可以保证在高相对湿度时仍有良好使用性，所以请避免卫生间过于潮湿，遇有水迹要及时擦干。
4. 门板的保养：经常用软布定期清洁、擦拭，洗浴后的冷凝水蒸气应用干布擦净，保持门板的干爽。
5. 镜柜是由玻璃镜和铝材制造出来的。只能用潮布清洁。清洁时请将水喷在布上，而不是玻璃镜上，含氨或酸的清洁剂会损坏玻璃镜，一些顽渍可用酒精擦除。
6. 千万不要磨沙型清洁剂擦拭镜柜的任何地方。
7. 白色框架的镜柜只可用潮布擦拭清洁。