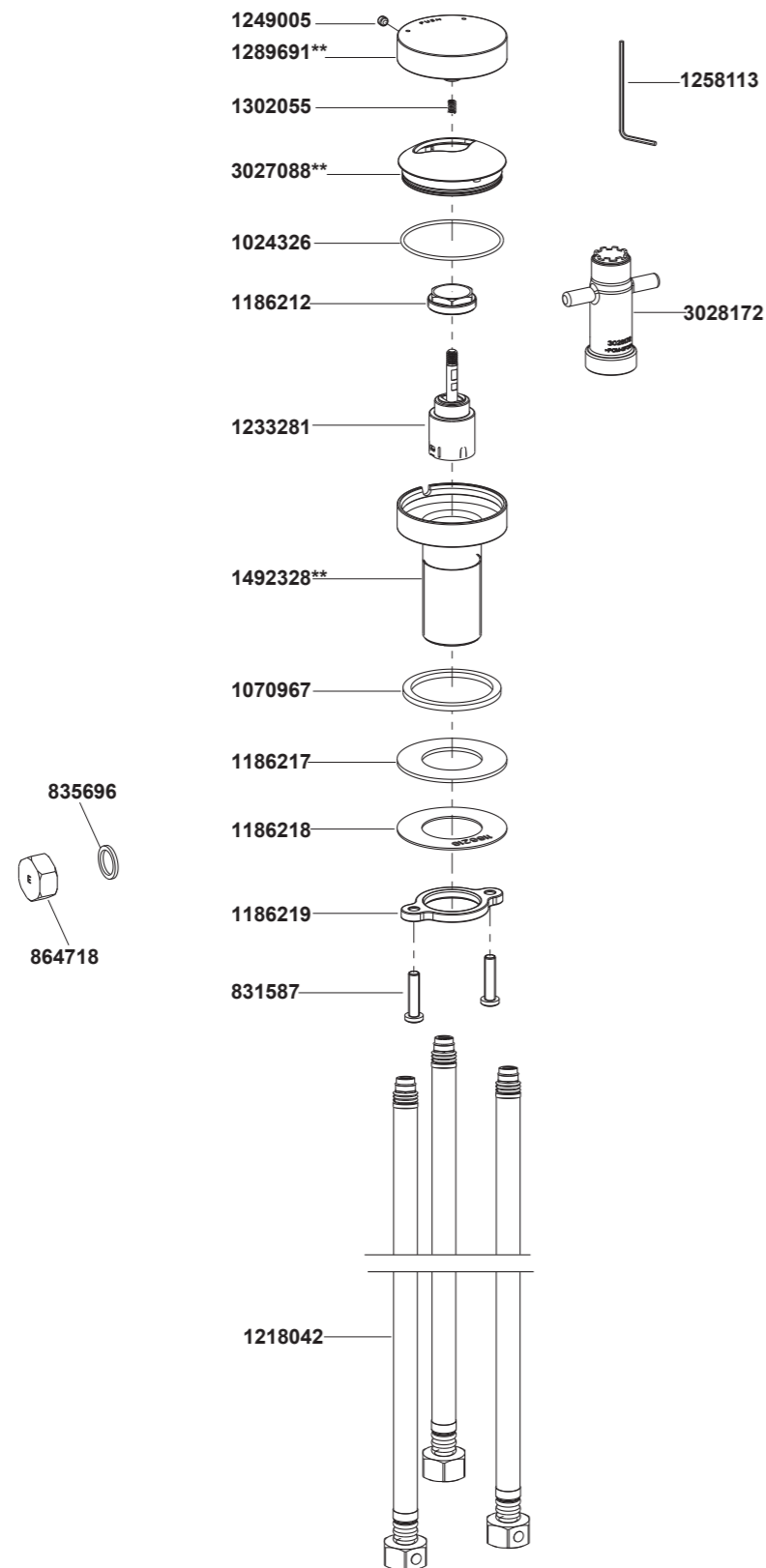


77963T-8A Rocker Handle



**Color code must be specified when ordering.
NOTE: For all Asia pacific regions (excluding China) add SP (SPxxxxxx**) in front of the part number when ordering.

77965T		Widespread Lavatory Faucet - Tube High Spout
77966T		Widespread Lavatory Faucet - Ribbon High Spout
23887T		Widespread Lavatory Faucet - Row High Spout
77967T	77967T-MU	Widespread Lavatory Faucet - Tube Spout
77968T	77968T-MU	Widespread Lavatory Faucet - Ribbon Spout
77969T	77969T-MU	Widespread Lavatory Faucet - Row Spout
77985T		Deck-mount Bath Faucet - Tube Spout
77986T		Deck-mount Bath Faucet - Ribbon Spout
77987T		Deck-mount Bath Faucet - Row Spout
77990T-4		Lever Handles
77990T-8	77990T-8MU	Oyl Handles
77990T-9		Industrial Handles
77963T-8A		Rocker Handle

BEFORE YOU BEGIN

All information is based on the latest product information available at the time of publication. Kohler Co. reserves the right to make changes in product characteristics, packaging, or availability at any time without notice.

Please leave these instructions for the consumer. They contain important information.

NOTES:

1. Flush the water supply pipes thoroughly to remove debris.
2. If possible, install this faucet before installing the lavatory or bath tub.
3. Inspect the supply tubing for damage and leakage. Replace and maintain as necessary.
4. Observe local plumbing codes.
5. Shut off the water supplies to the fitting.

STANDARD APPLICABLE

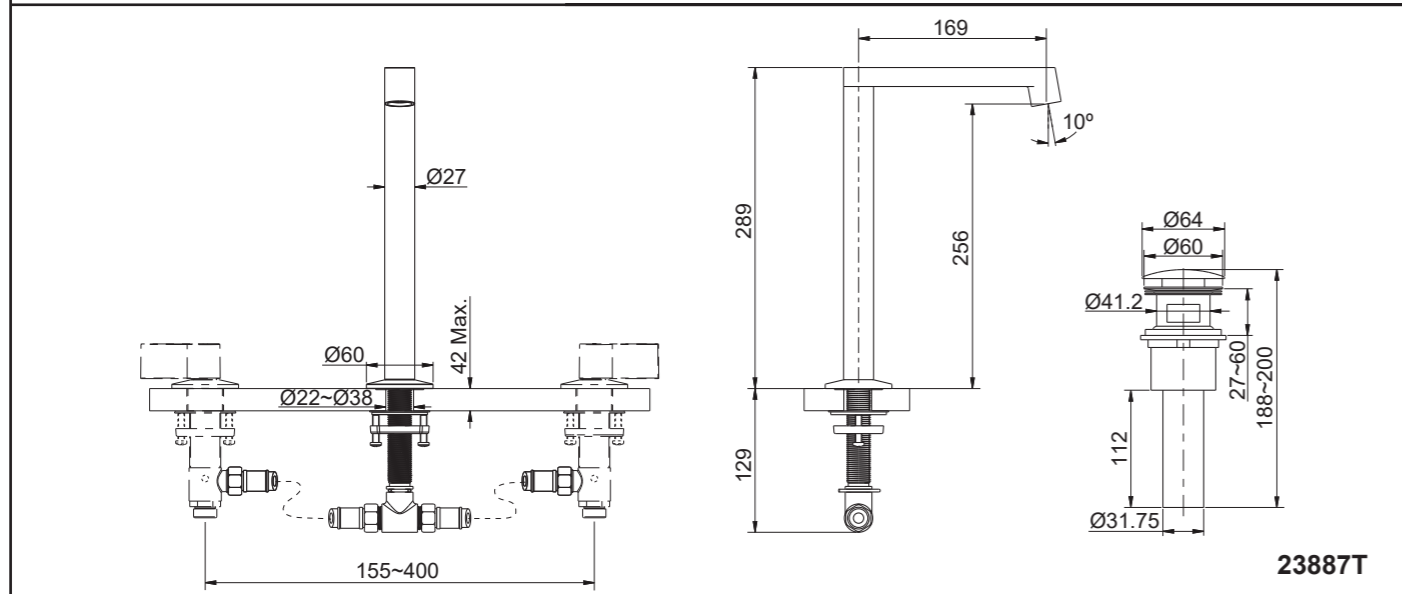
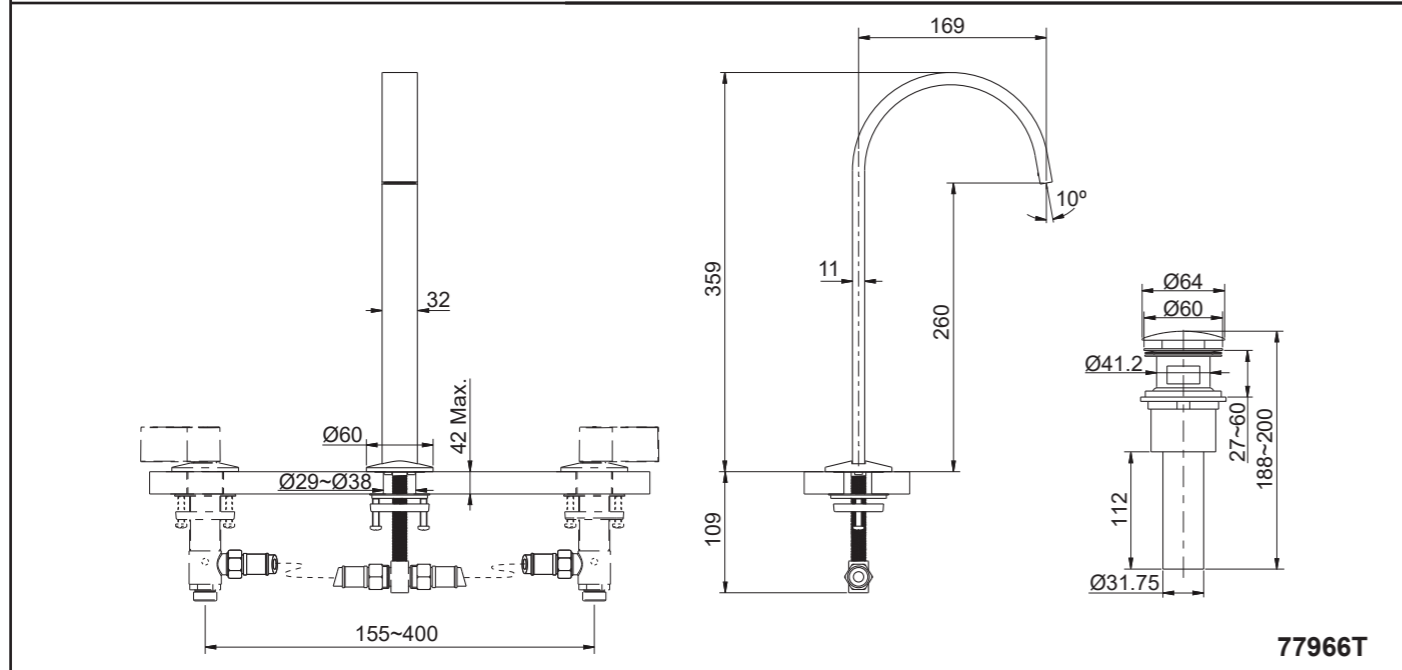
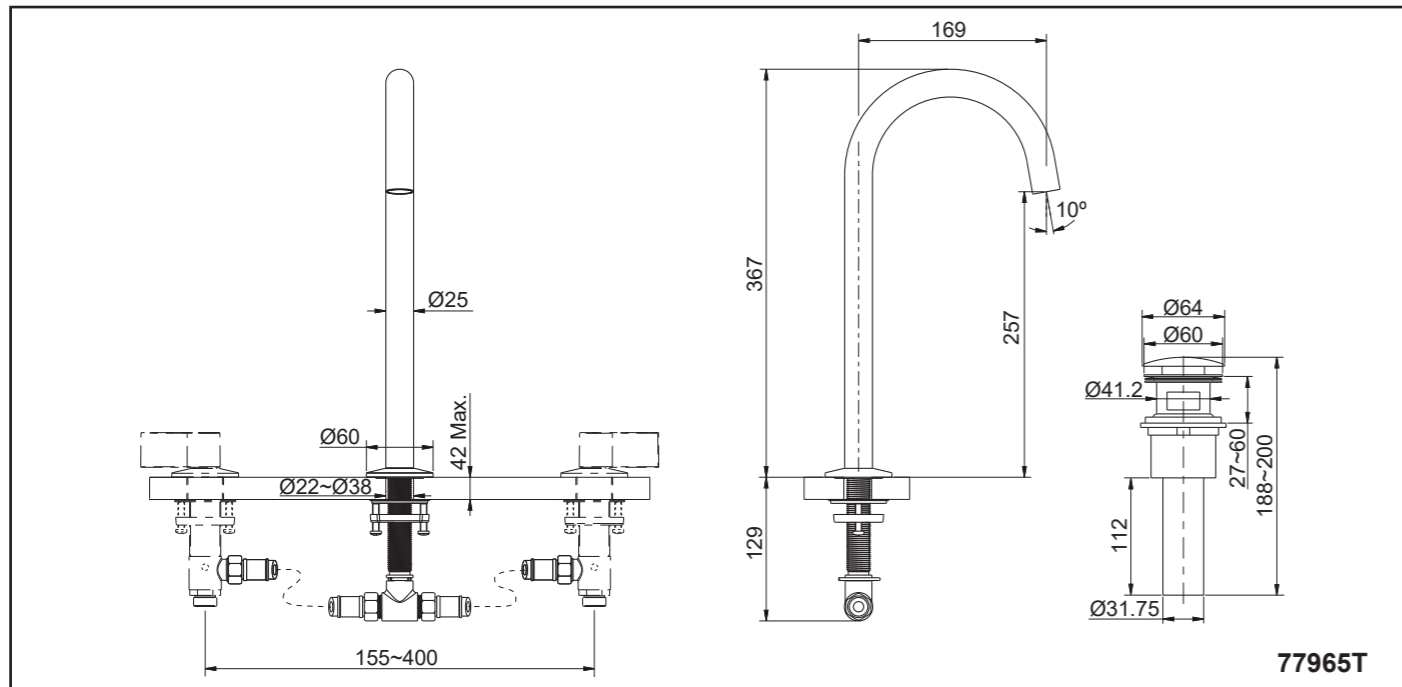
Special model meets or exceeds the following at date of manufacture: TIS

HANDLE OPERATION

For 77990T-4, right handle open with turning clockwise, left handle open with turning counter-clockwise.

For 77990T-8/8MU/9, left handle open with turning clockwise, right handle open with turning counter-clockwise.

For 77963T-8A, When facing front of the faucet, gently push the handle forward to open the faucet, the direction of the red dot is for hot water and the blue dot is for cold water.



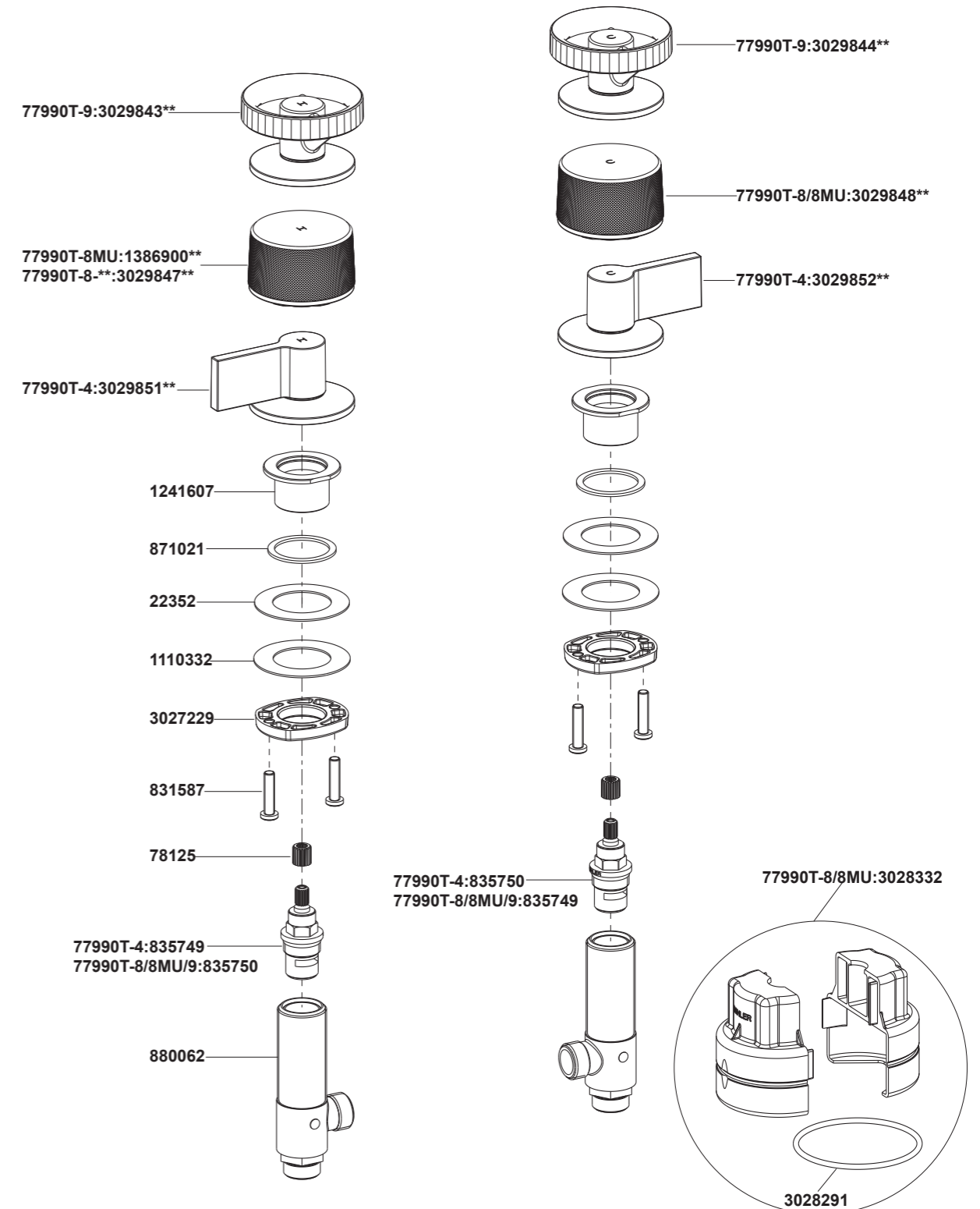
KOHLER®

SERVICE PARTS

COMPONENTS

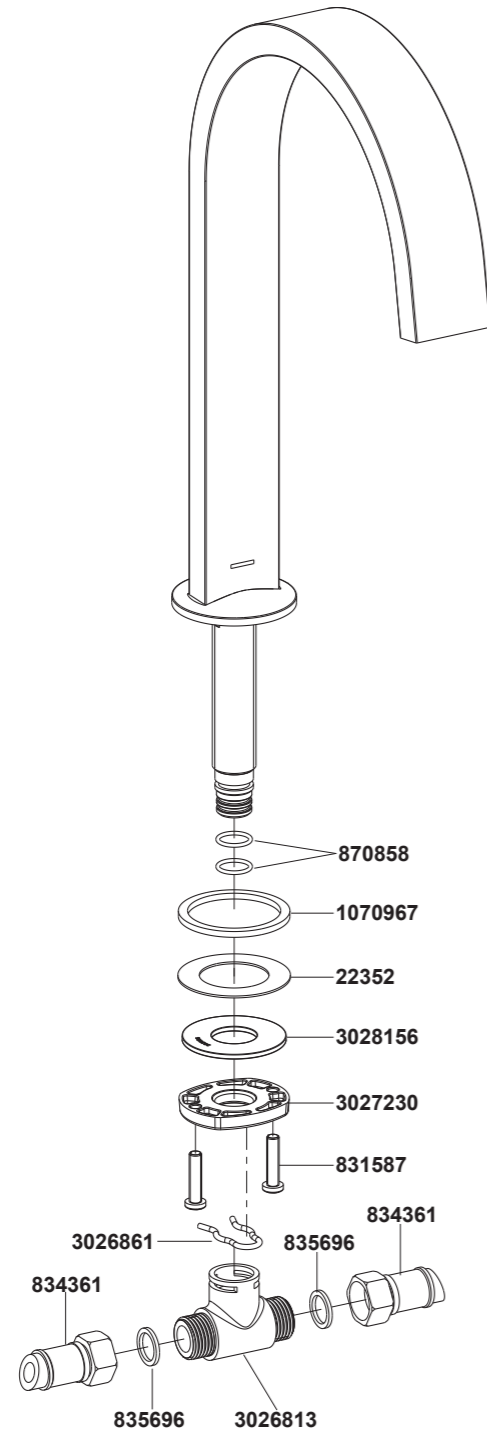
77990T-4
77990T-8/8MU
77990T-9

Lever Handles
Oyl Handles
Industrial Handles

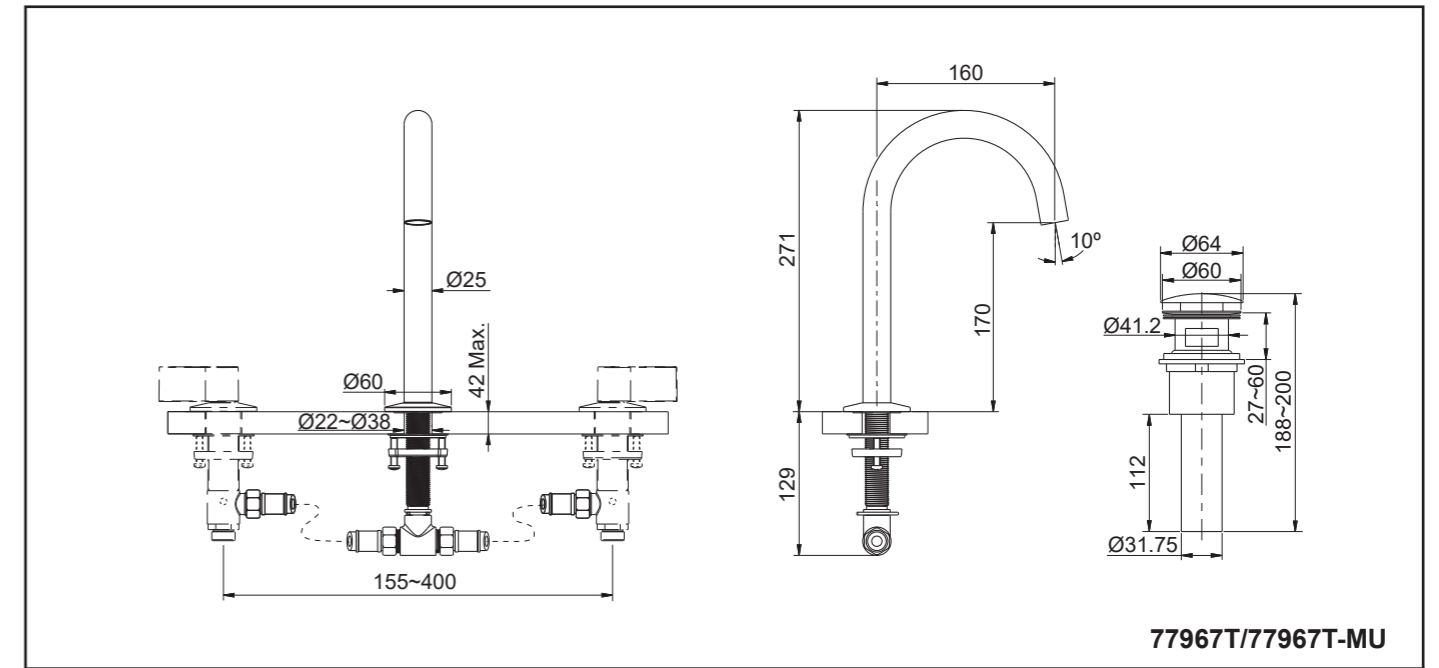


**Color code must be specified when ordering.
NOTE: For all Asia pacific regions (excluding China) add SP (SPxxxxxx**) in front of the part number when ordering.

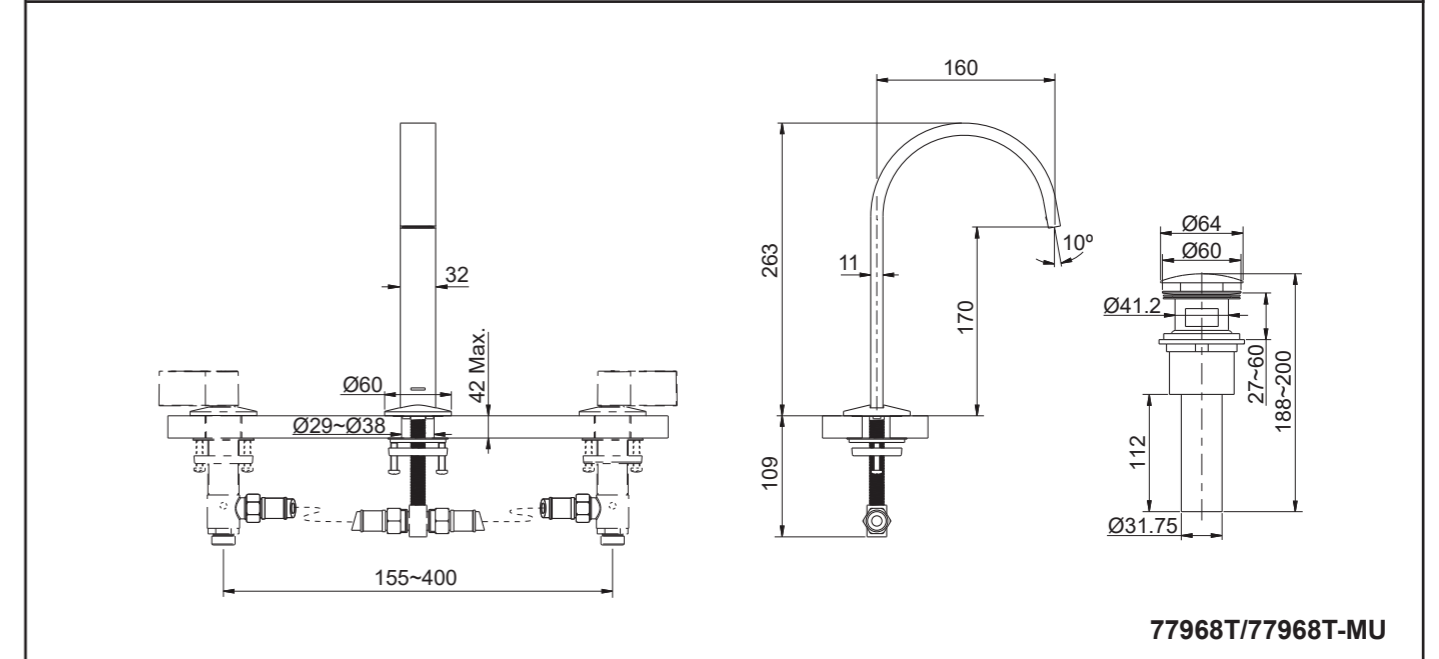
77986T Deck-mount Bath Faucet - Ribbon Spout



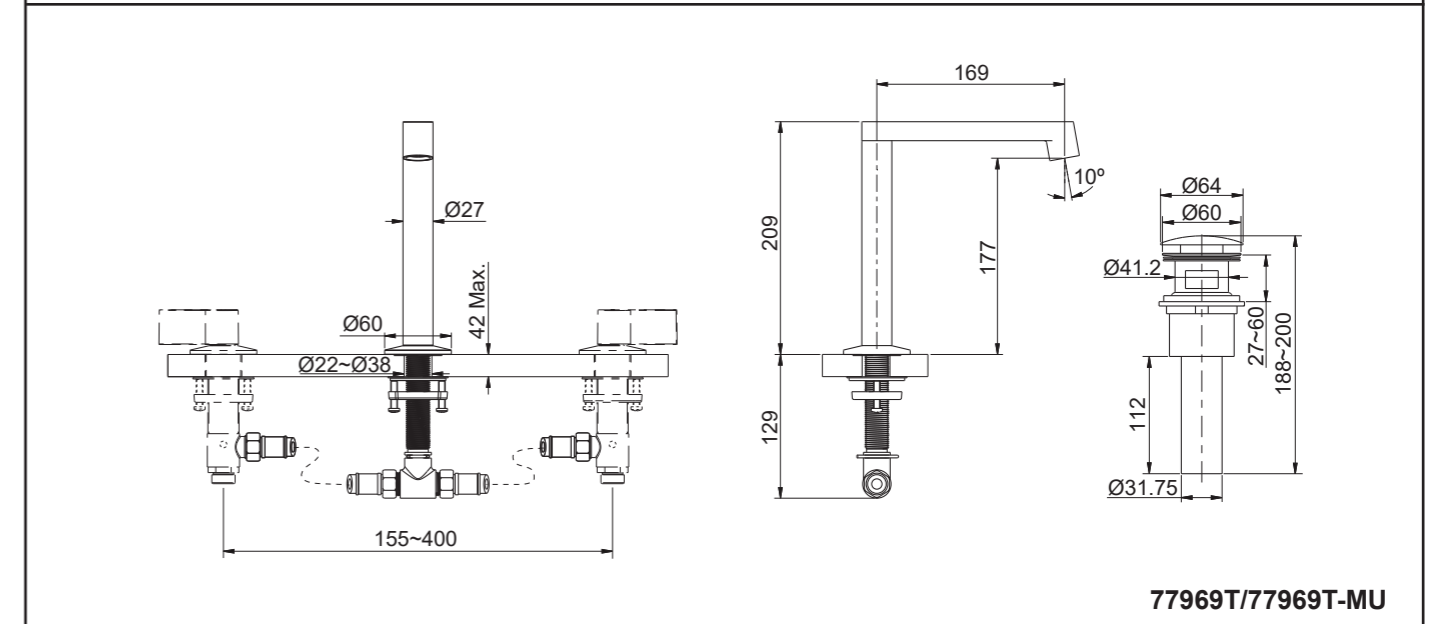
**Color code must be specified when ordering.
NOTE: For all Asia pacific regions (excluding China) add SP (SPxxxxxx**) in front of the part number when ordering.



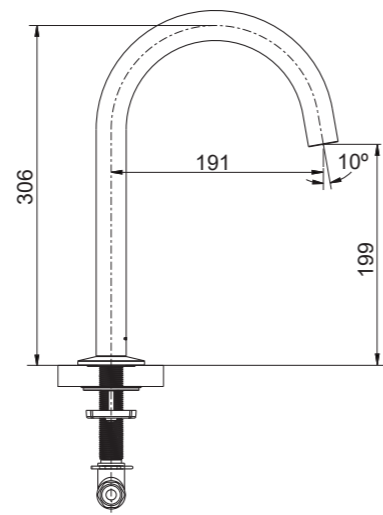
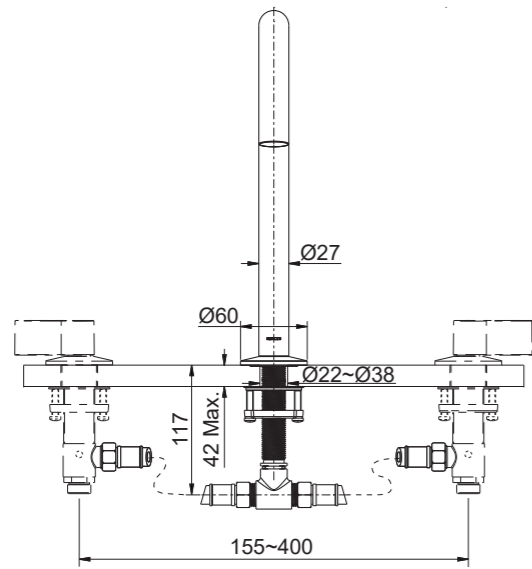
77967T/77967T-MU



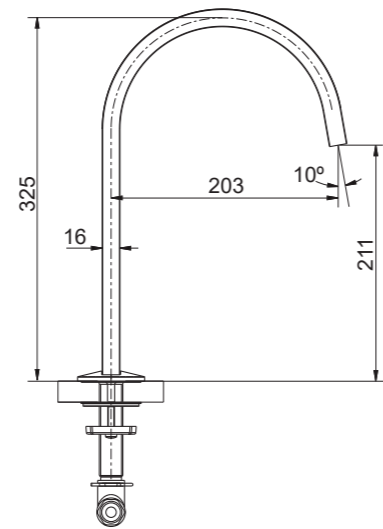
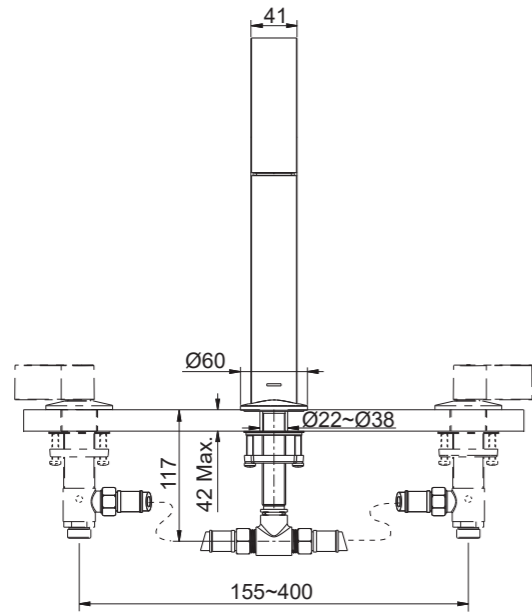
77968T/77968T-MU



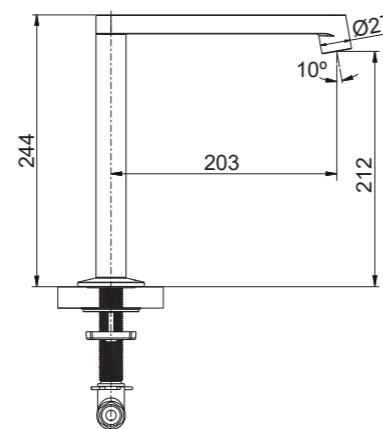
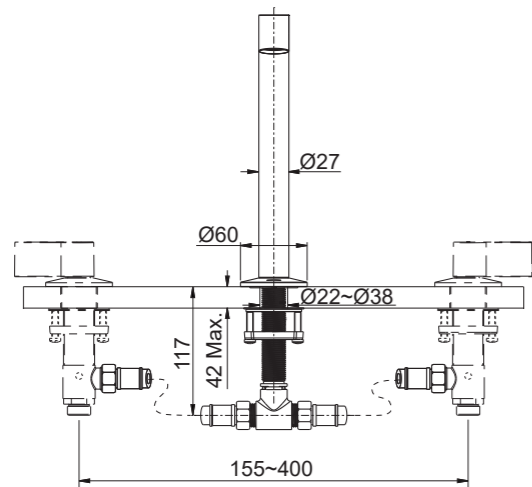
77969T/77969T-MU



77985T



77986T

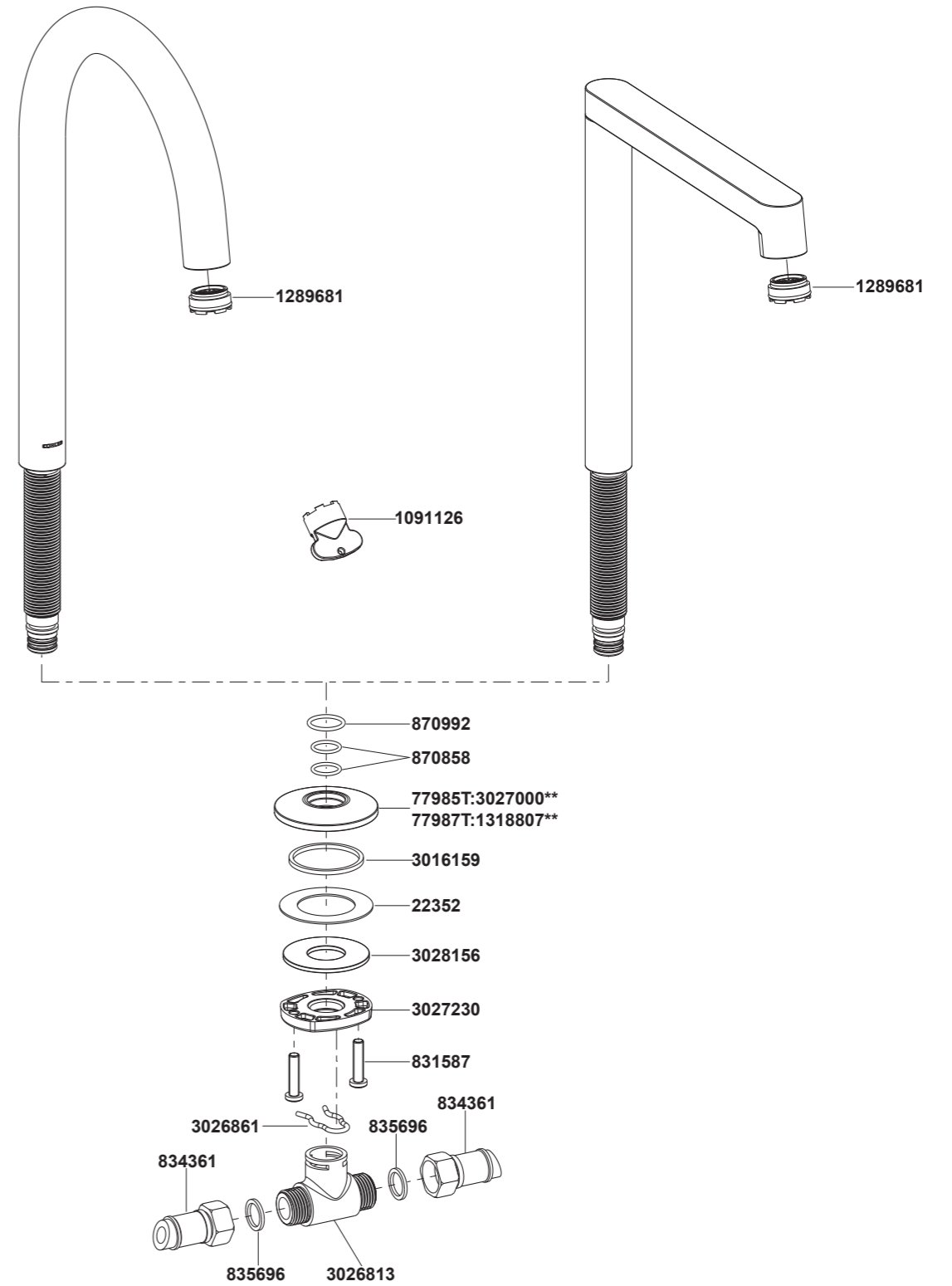


77987T

KOHLER
SERVICE PARTS

COMPONENTS

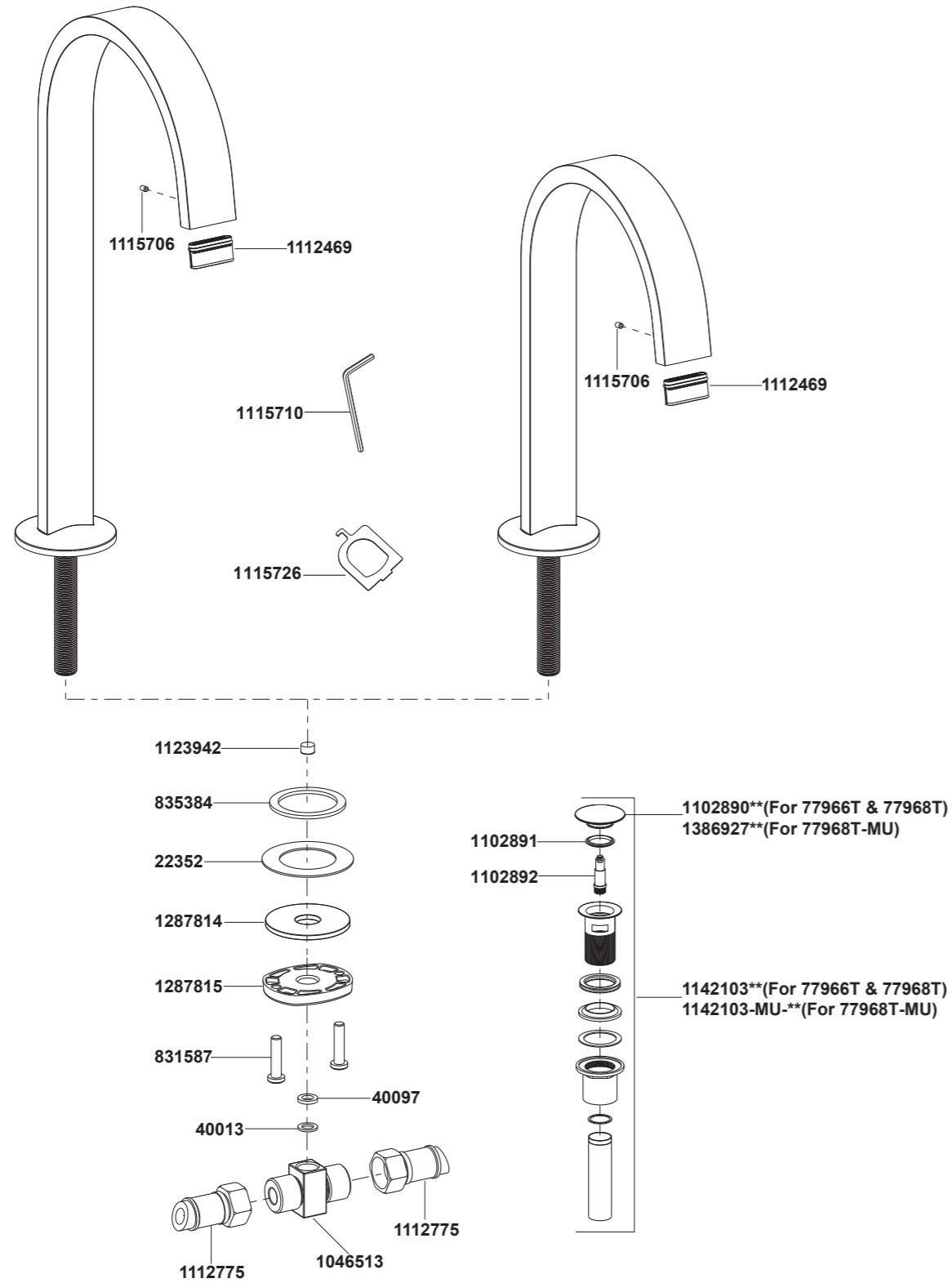
- 77985T Deck-mount Bath Faucet - Tube Spout
- 77987T Deck-mount Bath Faucet - Row Spout



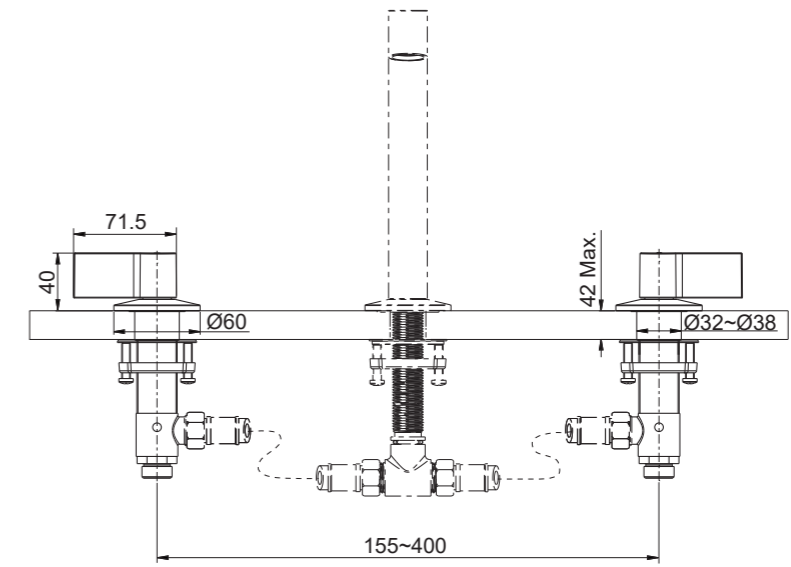
**Color code must be specified when ordering.
NOTE: For all Asia pacific regions (excluding China) add SP (SPxxxxxx**) in front of the part number when ordering.

COMPONENTS

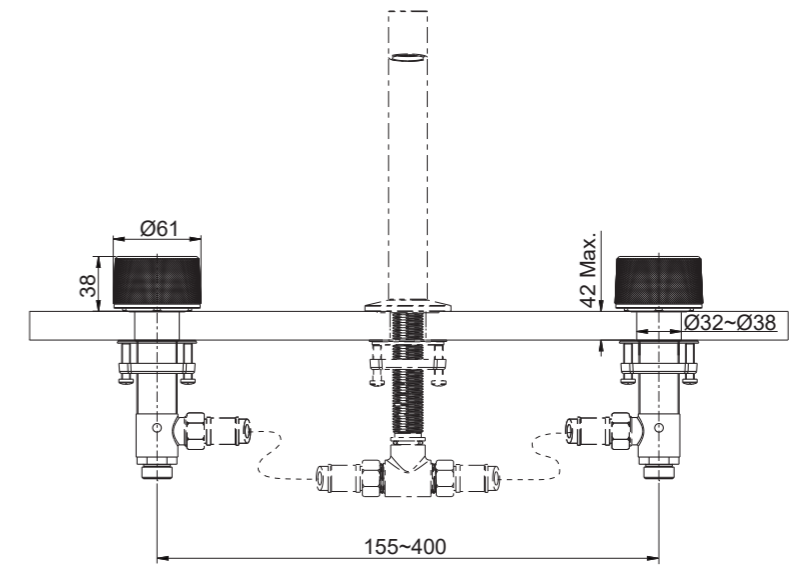
77966T Widespread Lavatory Faucet - Ribbon High Spout
77968T 77968T-MU Widespread Lavatory Faucet - Ribbon Spout



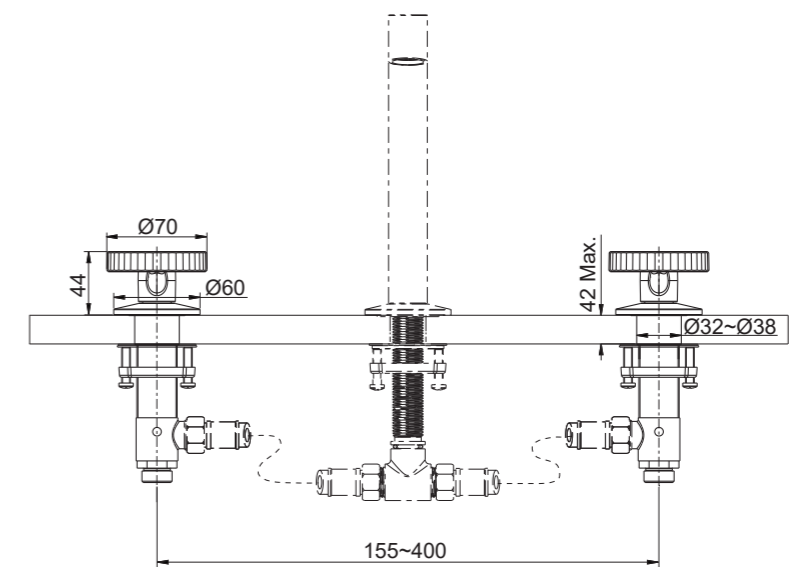
**Color code must be specified when ordering.
NOTE: For all Asia pacific regions (excluding China) add SP (SPxxxxxx**) in front of the part number when ordering.



77990T-4

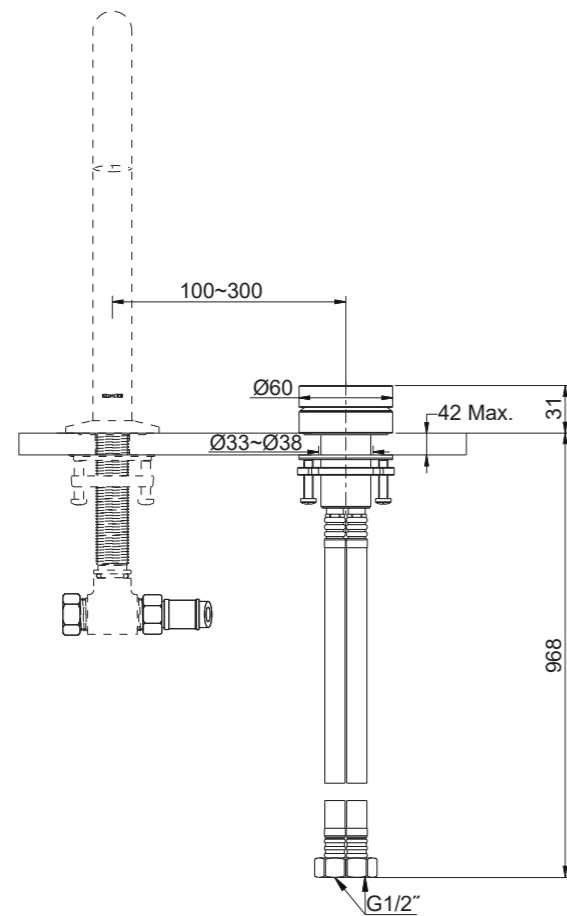


77990T-8/8MU



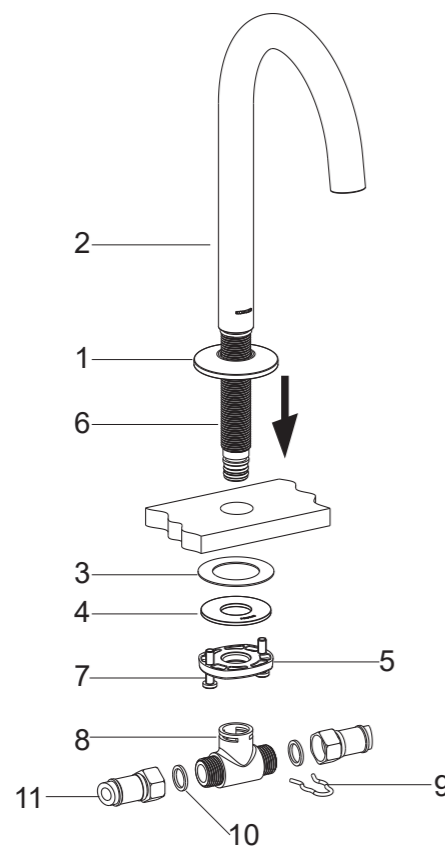
77990T-9

77965T		Widespread Lavatory Faucet - Tube High Spout
77967T	77967T-MU	Widespread Lavatory Faucet - Tube Spout
23887T		Widespread Lavatory Faucet - Row High Spout
77969T	77969T-MU	Widespread Lavatory Faucet - Row Spout



77963T-8A

INSTALLATION



How to Install the Spout

Only for 77965T, 23887T, 77967T, 77967T-MU, 77969T, 77969T-MU, 77985T & 77987T

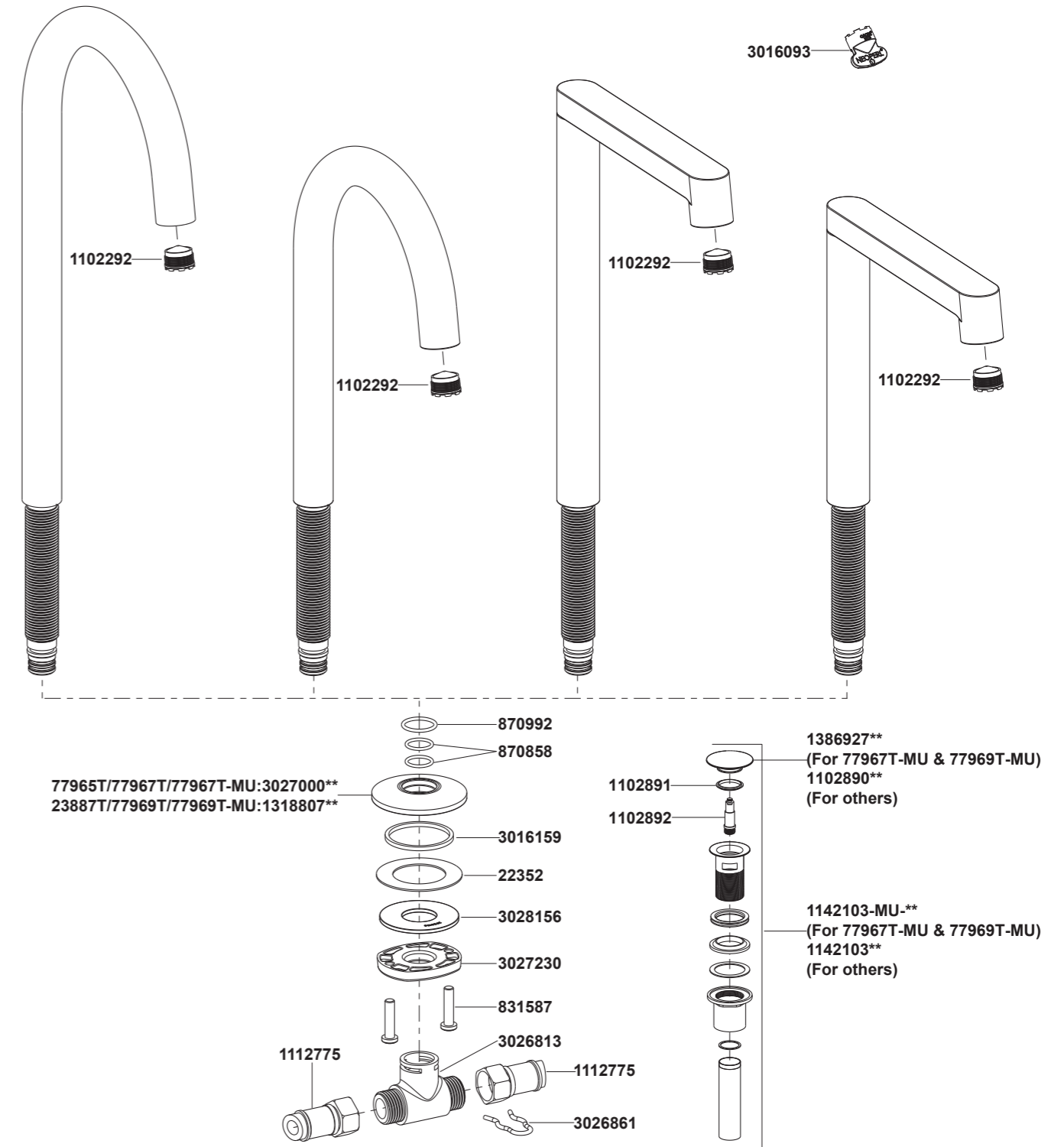
Slide the escutcheon(1) into the bottom of the spout(2). Insert the spout kit into the mounting hole of the lavatory or bathtub with escutcheon.

From underside of the lavatory or bathtub, place the washer(3), steel washer(4) and fixing ring(5) onto the shank(6). Position the faucet. Screw the fixing ring. Tighten the screws(7) to secure the spout.

Install the supply tee(8) to the shank and tighten by the hook(9).

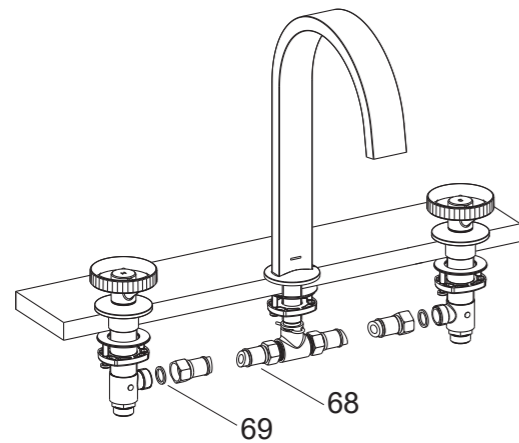
Connect the hoses(11) and tee supply. The other end of the hoses should be connected to the side bodies. For 77985T & 77987T, put the washers(10) into each end of the hoses(11) firstly.

① Only for 77965T,23887T,77967T&77969T, When used with 77963T-8A, the hoses (11) needn't to be installed.



**Color code must be specified when ordering.

NOTE: For all Asia pacific regions (excluding China) add SP (SPxxxxxx**) in front of the part number when ordering.



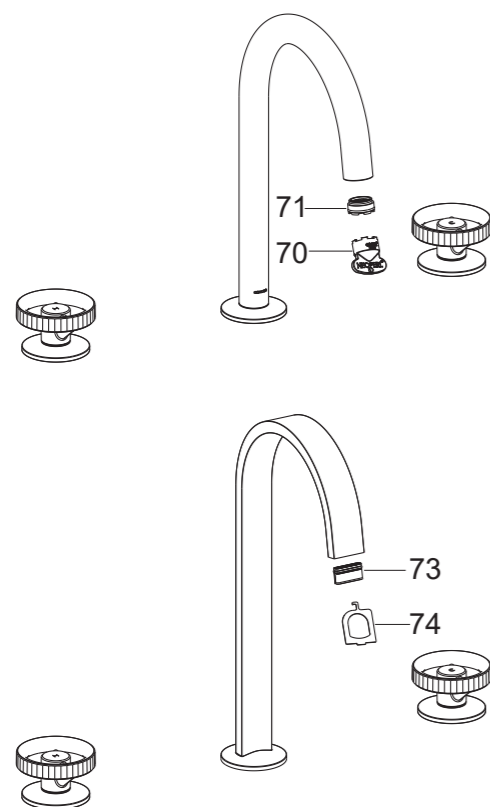
⑩

How to Connect the Hoses

For sink spout 77965T, 77966T, 23887T, 77967T, 77967T-MU, 77968T, 77968T-MU, 77969T & 77969T-MU connect the hoses (68) to the side bodies.

For bath spout 77985T, 77986T & 77987T, connect the hoses(68) to the side bodies with the washers(69).

INSTALLATION CHECKOUT



Ensure that all coupling nuts are tight. Ensure that the handles are in the off position.

Turn on the main water supply and drain, and check for leaks. Repair as needed.

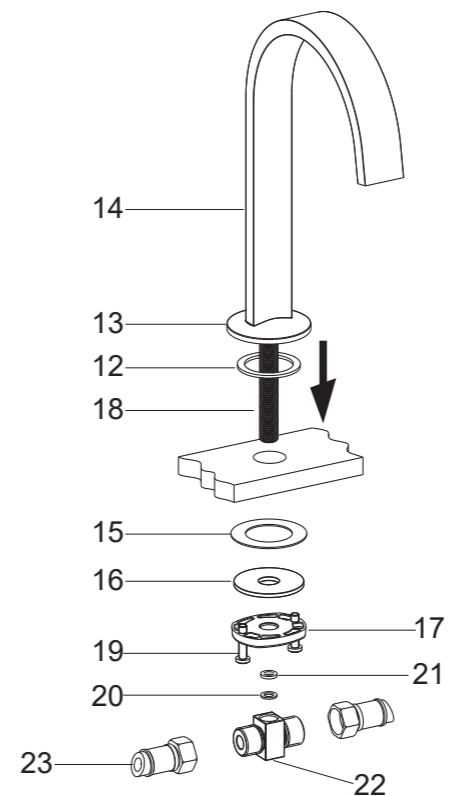
For 77965T, 77967T, 77967T-MU, 23887T, 77969T, 77969T-MU, 77985T & 77987T, remove the aerator(71) by key(70); For 77966T, 77968T & 77968T-MU, remove the aerator(73) by key(74). Run hot and cold water through faucet for about one minute to remove any debris. Check for leaks. Repair as needed. Remove any debris from the aerator. Shut off the faucet. Reinstall the aerator.

For 77986T, run hot and cold water through faucet for about one minute to remove any debris. Check for leaks. Repair as needed. Shut off the faucet.

CLEANING INSTRUCTIONS

All Finishes: Clean the finish with mild soap and warm water. Wipe entire surface completely dry with clean soft cloth. Many cleaners may contain chemicals, such as ammonia, chlorine, toilet cleaner etc, which could adversely affect the finish and are not recommended for cleaning.

Do not use abrasive cleaners or solvents on Kohler faucets and fittings.



②

For 77966T, 77968T, 77968T-MU

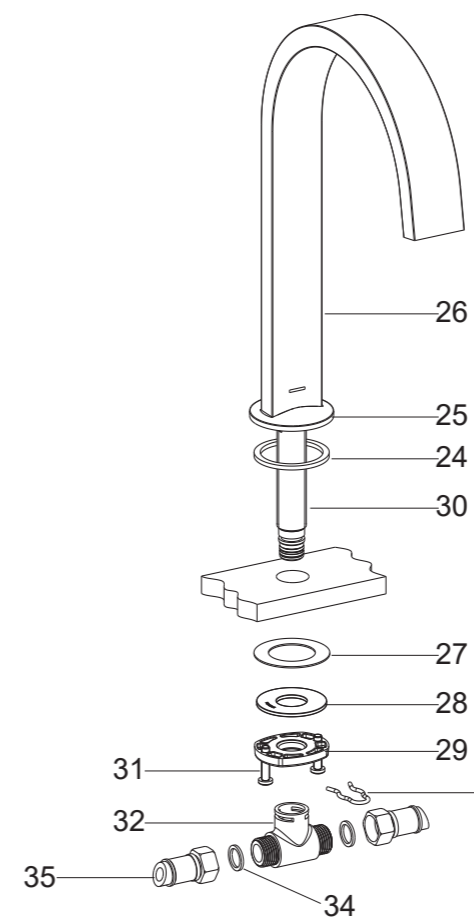
Put the washer(12) into the groove of the escutcheon(13). Insert the spout kit(14) into the mounting hole of the lavatory with washer.

From underside of the lavatory, place the washer(15), steel washer(16) and fixing ring(17) onto the shank(18). Position the faucet. Screw the fixing ring. Tighten the screws(19) to secure the spout.

Put the plastic washer(20), rubber gasket (21) into the supply tee(22). Thread supply tee to the shank.

Connect the hoses(23) and supply tee. The other end of the hoses should be connected to the side bodies.

When used with 77963T-8A, the hoses (23) needn't to be installed.



③

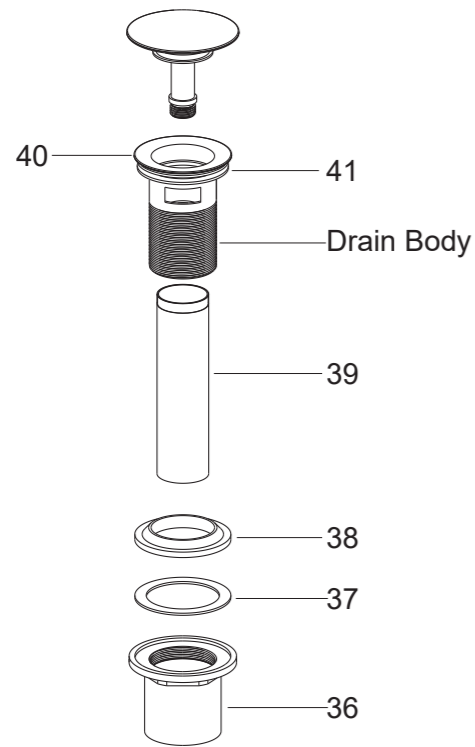
For 77986T

Put the washer(24) into the groove of the escutcheon(25). Insert the spout kit(26) into the mounting hole of the bathtub with washer .

From underside of the bathtub, place the washer(27), steel washer(28) and fixing ring(29) onto the shank(30). Position the faucet. Screw the fixing ring. Tighten the screws(31) to secure the spout.

Install the supply tee(32) to the shank and tighten by the hook(33).

Put the washers(34) into each end of the hoses(35). Connect the hoses and tee supply. The other end of the hoses should be connected to the side bodies.



How to Install the Drain

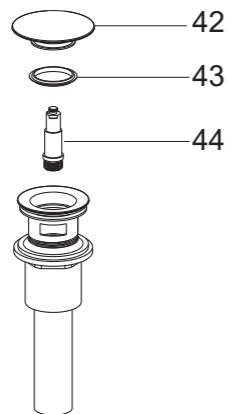
Only for 77965T, 77966T, 23887T, 77967T, 77967T-MU, 77968T, 77968T-MU, 77969T & 77969T-MU

Remove the locknut(36), plastic washer(37), rubber gasket(38) and tailpiece(39) from the drain body. Supply enough tape or sealant to tailpiece thread. Reinstall the tailpiece. Insert the drain body into the lavatory. Install the rubber gasket(Tapered side up), plastic washer and locknut back to the drain body in turn. Tighten the locknut.

NOTE: If needed, apply a ring of plumbers putty or other sealants around the underside of the drain flange(40), instead of using rubber washer(41).

Do not reposition the drain after the locknut is tightened, or you may break the putty or sealant seal.

④

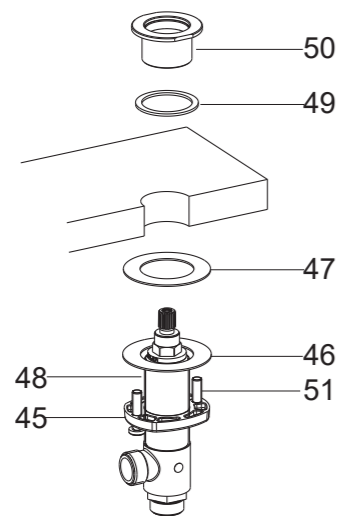


Replacing the Washer and Piston Kit

Only for 77965T, 77966T, 23887T, 77967T, 77967T-MU, 77968T, 77968T-MU, 77969T & 77969T-MU

Turn counter-clockwise to remove the stopper(42). Take out washer(43). Replace with a new one. Turn counter-clockwise to remove the piston kit(44). Replace with a new one. Reinstall stopper and washer.

⑤



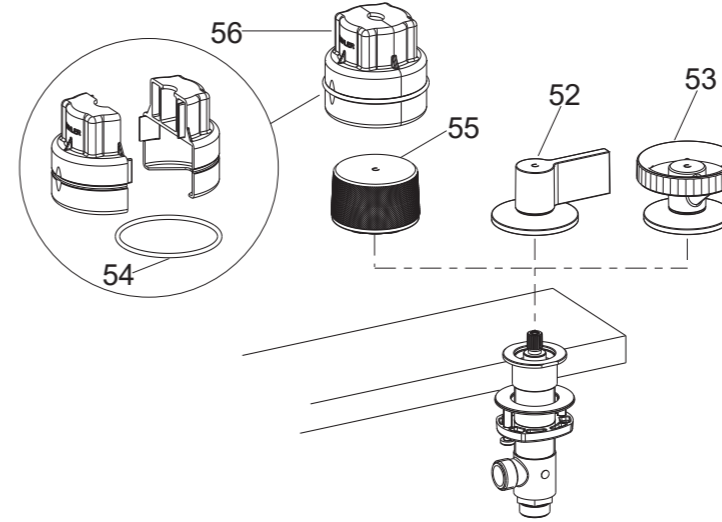
How to Install the Handle Kit (77990T)

Put the threaded rings(45), steel washers(46) and washers(47) onto the side bodies(48).

Insert the side bodies into the mounting holes from underside. **NOTE:** The side body with red mark should be installed on the left. Put the washers(49) into the groove of the nuts(50). Thread the nuts onto the side bodies.

Adjust the outlet of side bodies to connect hoses easily. Secure the threaded rings by tightening screws(51).

⑥



Ensure the valves and handle kits are in the off position.

For 77990T-4/9

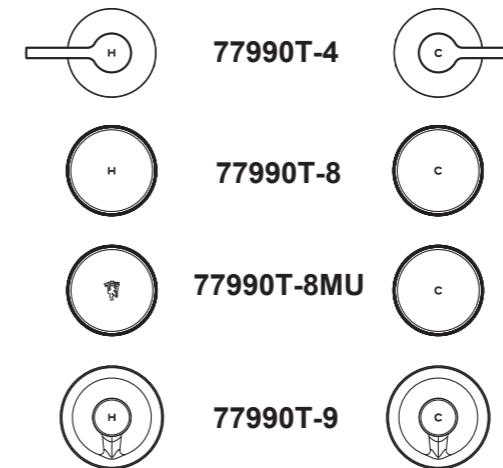
Screw the handle kits(52, 53) onto the nuts(50). **NOTE:** The handle kit with "H" should be installed on the left.

For 77990T-8/8MU

Screw the handle kit(55) onto the nut(50) with handle wrench(56).

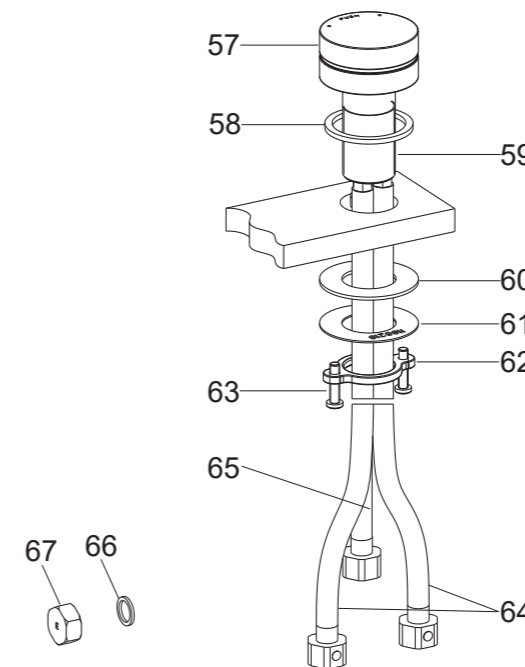
Uninstall the handle wrench. Remove the O-ring(54), separate it into two parts as shown. **NOTE:** The handle kit with "H" should be installed on the left.

⑦



The figure shown is the correct position of the handles in the closed position.

⑧



How to Install the Handle Kit (77963T-8A)

Install the washer(58) into the groove of the handle kit(57). Insert the handle kit with washer to the mounting hole. Adjust the handle. Make sure the handle with red dot is on the left side and blue dot on the right side.

From underside, slide the washer(60), washer(61) and threaded ring(62) to the body(59). Screw the threaded ring. Tighten the screws(63) to secure the handle kit.

Attach the two hoses(64) to water supplies. Make sure the hose with red label should be connected to hot water, the hose with blue label should be connected to cold water. Connect another hose(65) and tee supply. Install the plug(67) with washer(66) to other end of tee supply.

⑨