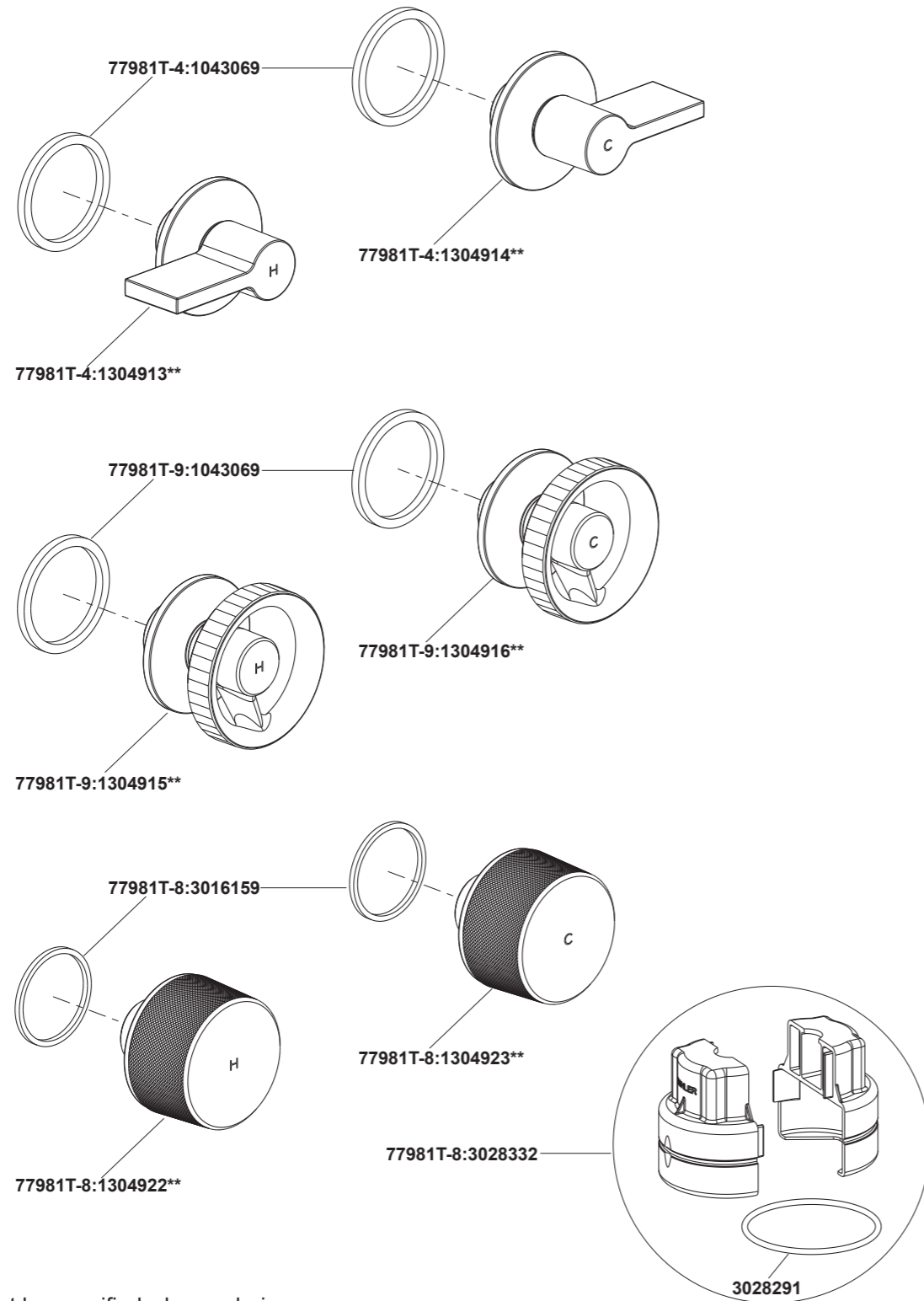


- 77981T-4 Wall-Mount Lavatory Handle-Lever
- 77981T-8 Wall-Mount Lavatory Handle-Oyl
- 77981T-9 Wall-Mount Lavatory Handle-Industrial



**Color code must be specified when ordering.

- 77981T-4 Wall-Mount Lavatory Handle-Lever
- 77981T-8 Wall-Mount Lavatory Handle-Oyl
- 77981T-9 Wall-Mount Lavatory Handle-Industrial

BEFORE YOU BEGIN

All information is based on the latest product information available at the time of publication. Kohler Co. reserves the right to make changes in product characteristics, packaging, or availability at any time without notice.

Please leave these instructions for the consumer. They contain important information.

NOTES:

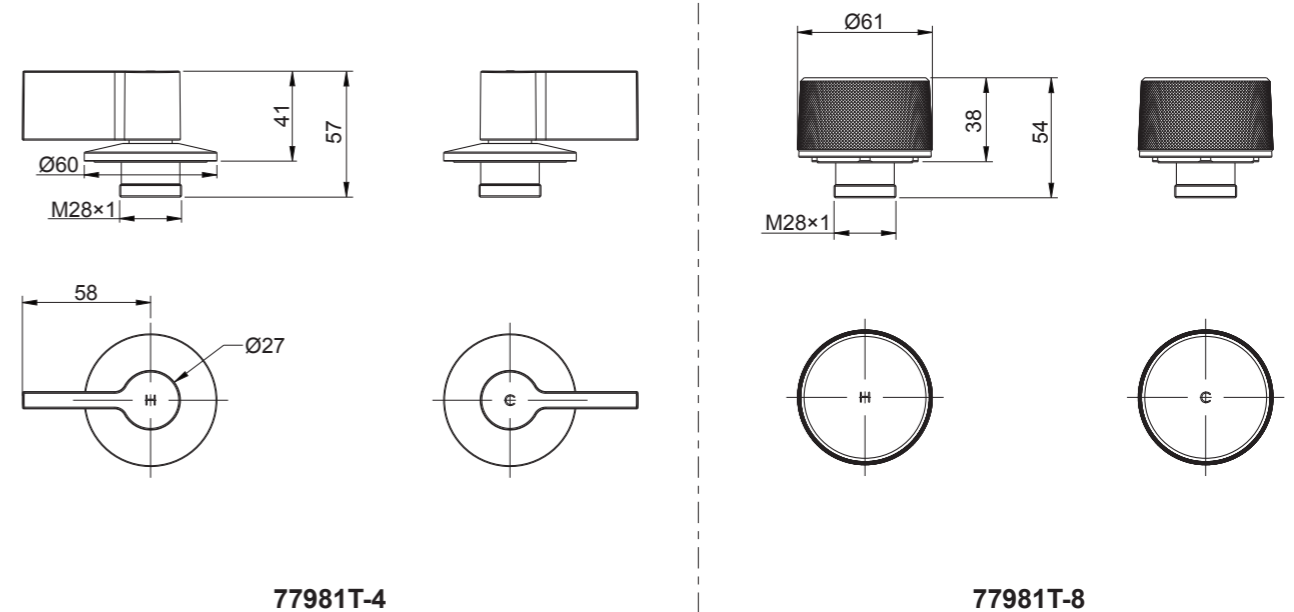
1. Flush the water supply pipes thoroughly to remove debris.
2. Inspect the supply tubing for damage. Replace as necessary.
3. Observe local plumbing codes.
4. For 77981T-4, match with wall-mount dual handle lavatory faucet valve 28139T-NA.
5. For 77981T-8/9, match with wall-mount dual handle lavatory faucet valve 24896T-NA.
6. Install the valve 28139T-NA or 24896T-NA before installing these handles.

HANDLE OPERATION

For 77981T-4, turn on the left handle counter-clockwise for hot water, turn on the right handle clockwise for cold water.

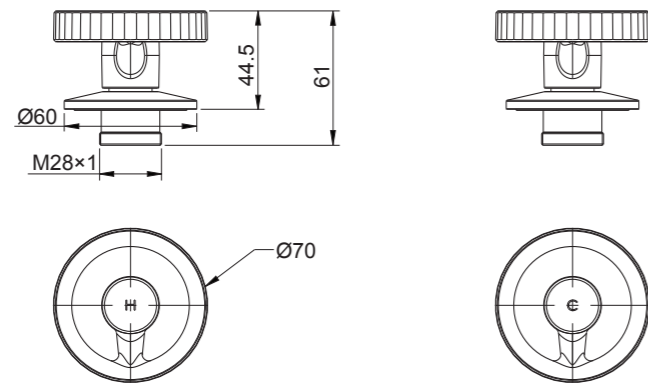
For 77981T-8/9, turn on the left handle clockwise for hot water, turn on the right handle counter-clockwise for cold water.

ROUGH-IN DIMENSIONS



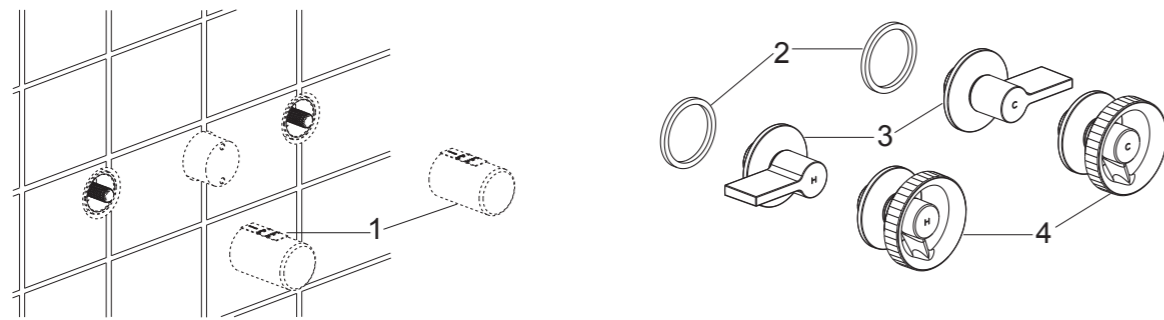
77981T-4

77981T-8



77981T-9

INSTALLATION

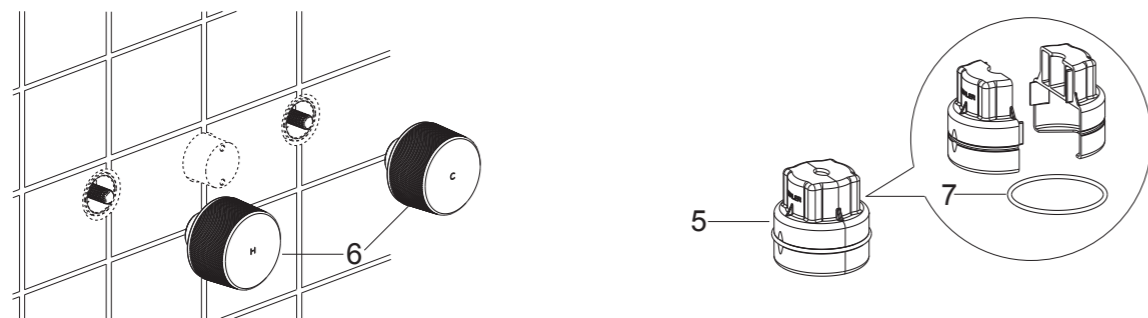


As figure shown, remove and discard the protectors(1) after completing the finished wall. Turn off the valves.

For 77981T-4 & 77981T-9

Put the washers(2) into the groove of the handle kits(3, 4).

Screw the handle kits(3 or 4) to the sleeves. **NOTE:** The handle kit with "H" should be installed on the left.

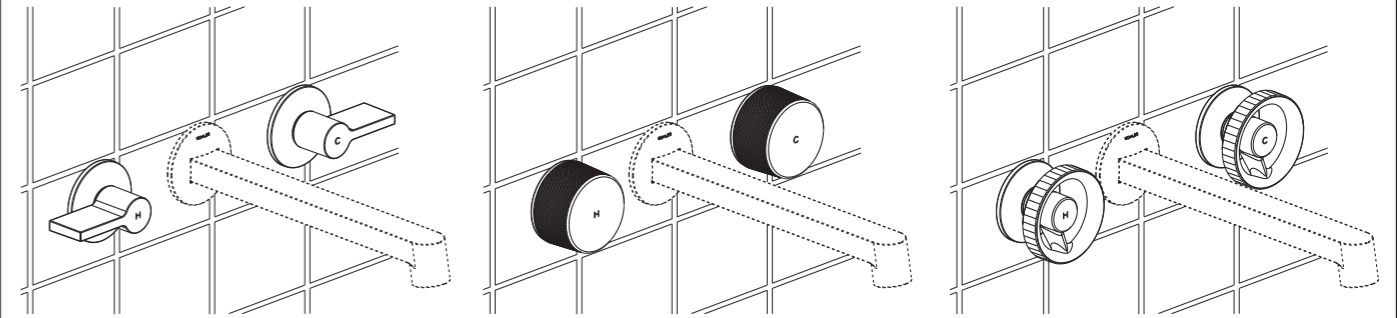


For 77981T-8

Screw the handle kits(6) to the sleeves with handle wrench(5).

Uninstall the handle wrench. Remove the O-ring(7), separate it into two parts as shown. **NOTE:** The handle kit with "H" should be installed on the left.

The figures show the correct position of the handles in the closed position.



77981T-4

77981T-8

77981T-9

CLEANING INSTRUCTIONS

All Finishes: Clean the finish with mild soap and warm water. Wipe entire surface completely dry with clean soft cloth. Many cleaners may contain chemicals, such as ammonia, chlorine, toilet cleaner etc, which could adversely affect the finish and are not recommended for cleaning.

Do not use abrasive cleaners or solvents on Kohler faucets and fittings.