

### BEFORE YOU BEGIN

- All information is based on the latest product information available at the time of publication. Kohler China Ltd. reserves the right to make changes in product characteristics, packaging, or availability at any time without notice.
- These instructions contain important care, cleaning, and warranty information-**please leave these instructions for the consumer.**
- Make sure that the bath and the finished wall material are completely and correctly installed prior to installing your shower door. Prepare waterproof layer to wall and floor of the showering area. It is not allowed for any presence of electric switches and sockets. Make sure the floor drain runs smoothly.
- Before starting the door installation, lay out and identify all the parts. Use the exploded view illustrated on page 2 for reference.
- For the installation method of customized shower with different dimensions, please refer to this instructions.
- The product complies with QB 2584-2007.

**⚠ CAUTION: Risk of injury or product damage.**  
 Tempered glass cannot be cut, drilled or knocked by hard object. Make sure corner area of the glass refraining from knocking so as to cause personal injury due to broken glass.

**ATTENTION:** Please install this door on Kohler receptors or curbs(Not included). If the curb is not Kohler-branded, please note its top width should be more than 80mm.

**IMPORTANT:** The shower door requires a flat vertical finished wall. The squareness of the wall is recommended no more than 3 mm/m. KOHLER Company won't take responsibility of the installation quality.

### 安装之前

- 说明书中所有的资料是按最新发布的产品资料编写而成。科勒中国有限公司保留任何时候无须通知即可改变产品特性、包装或产品可供类型的权利。
- 说明书包括重要的安装、清洁及保养方面的内容，**请把这些资料交给用户阅读，保管。**
- 确保在安装淋浴房之前已经完整正确地安装了浴室和完工墙面材料。淋浴区墙地面应做防水处理，并不得布置有电器开关、插座。确保地面排水通畅。
- 在进行淋浴房安装之前，请拿出、排列并确认所有的零部件。请参考第 2 页上所示的分解图。
- 对尺寸与本标准产品不同的定制淋浴房，参照本说明书进行安装。
- 本产品符合 QB 2584-2007。

**⚠ 警告：可能有人伤害或者产品损坏的危险。**  
 钢化玻璃不能进行切割，钻孔或硬物敲击。搬移或安装过程中，小心确保玻璃边、角部位不受撞击，以防爆裂伤人。

**建议：**将本产品安装在科勒淋浴盆或挡水条上（需另行购买）。如自备挡水条，建议顶面宽度尺寸大于 80mm。

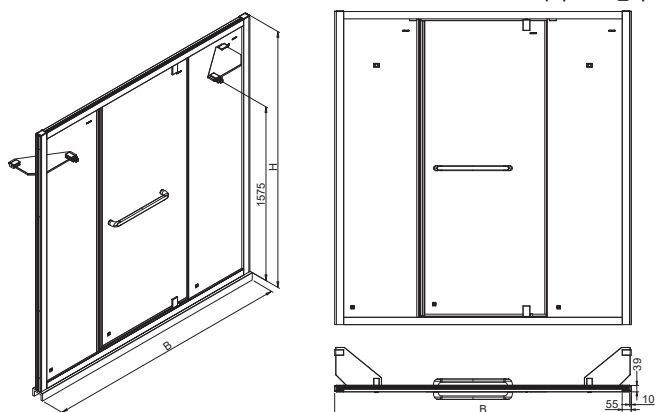
**重要事项：**淋浴房需要安装在平坦垂直的墙面上。墙面的垂直度推荐在正负 3mm/m 以内。如果超出此范围，科勒公司将不保证淋浴房的完美使用。

Do not use the enclosure for at least 24 hours.  
 安装后 24 小时内请勿使用淋浴房。



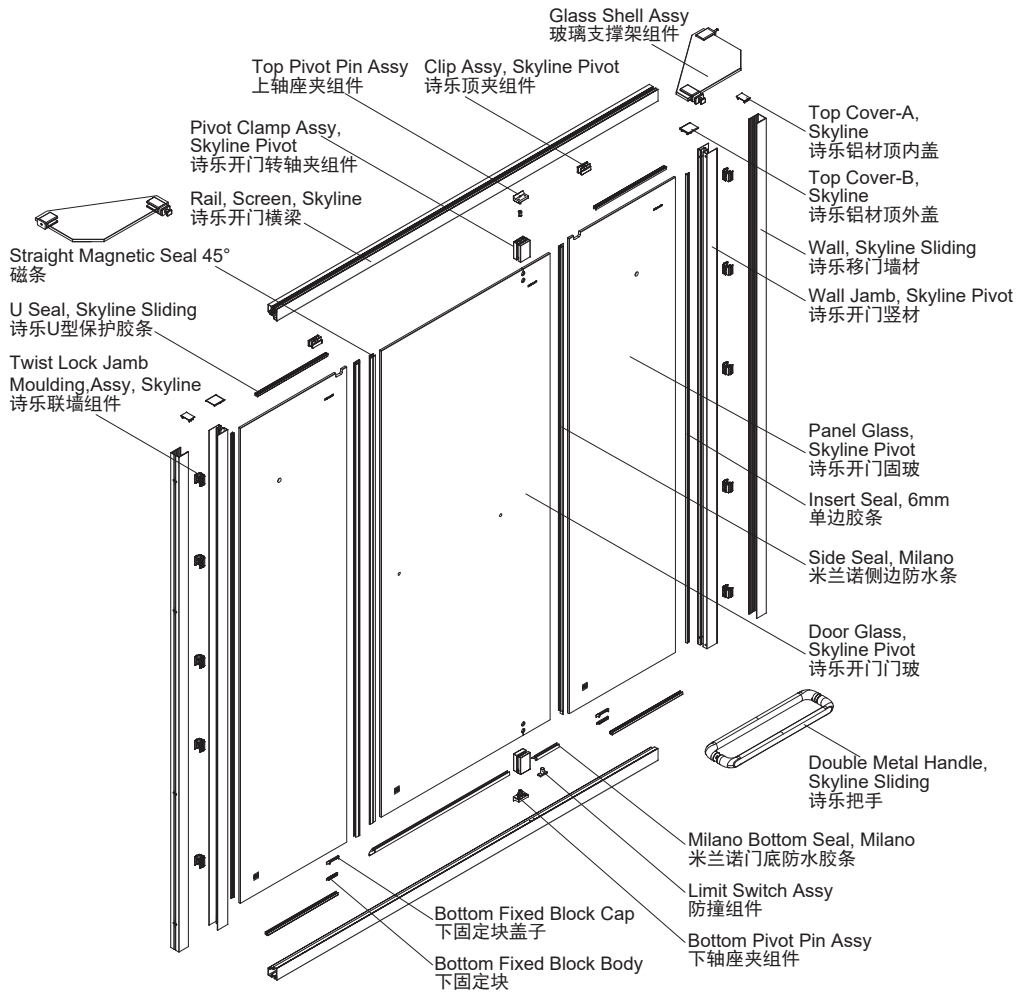
### ROUGHING-IN 尺寸图

Unit: mm  
 单位: 毫米



SKU	B	H
K-81018T	1100-2000	1850-2000

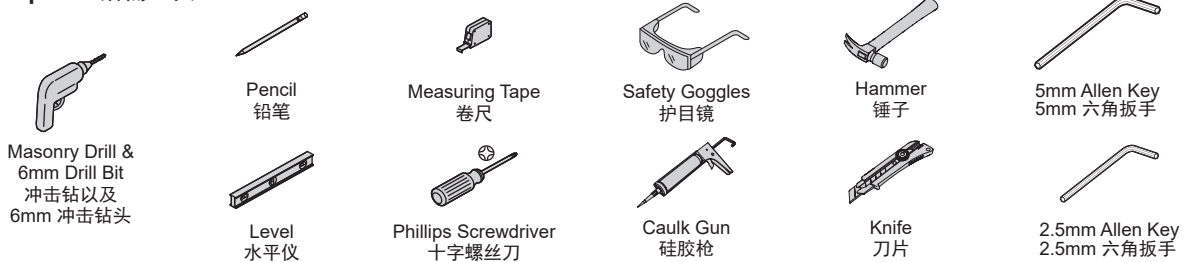
ZHONGSHAN KOHLER SHOWER CO., LTD. NO13-1, XINGYE ROAD, ZHONGSHAN TORCH DEVELOPMENT ZONE, ZHONGSHAN, GUANGDONG, CHINA POST CODE: 528437  
 中山科勒卫浴有限公司 广东省中山市中山火炬开发区兴业路 13-1 号 邮编: 528437



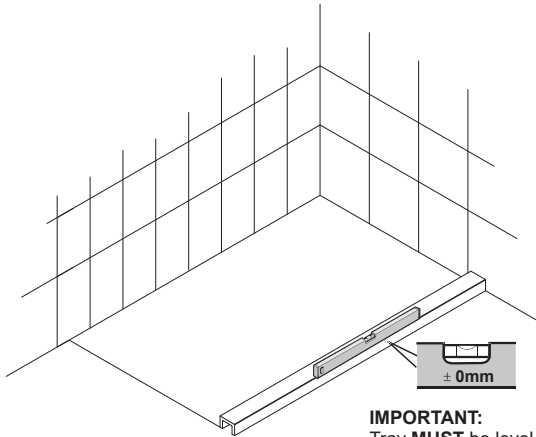
	X2	Wall Jamb, Skyline Pivot 诗乐开门竖材
	X2	Wall, Skyline Sliding 诗乐移门墙材
	X2	Rail, Screen, Skyline 诗乐开门横梁
	X2	Straight Magnetic Seal 45° 磁条
	X1	Side Seal, Milano 米兰诺侧边防水胶条
	X1	Milano Bottom Seal, Milano 米兰诺门底防水胶条
	X2	Insert Seal, 6mm 单边胶条
	X4	U Seal, Skyline Sliding 诗乐U型保护胶条
	X1	Double Metal Handle, Skyline 诗乐把手
	X2	Glass Shell Assy 玻璃支撑架组件
	X10	Twist Lock Jamb Moulding, Assy, Skyline 诗乐联墙组件

	X1	Limit Switch Assy 防撞组件
	X1	Bottom Pivot Pin Assy 下轴座夹组件
	X1	Top Pivot Pin Assy 上轴座夹组件
	X1	Pin Washer 轴套
	X2	Bottom Fixed Block Cap 下固定块盖子
	X2	Bottom Fixed Block Body 下固定块
	X2	Top Cover-B, Skyline 诗乐铝材顶外盖
	X2	Top Cover-A, Skyline 诗乐铝材顶内盖
	X2	Pivot Clamp Assy, Skyline Pivot 诗乐开门转轴夹组件
	X2	Clip Assy, Skyline Pivot 诗乐顶夹组件
	X16	Pan Screw ST3.5X40 圆头螺丝ST3.5X40
	X12	Csk Screw ST3.5X12 沉头螺丝ST3.5X12
	X8	Hollow Wall Anchor, Nylon 膨胀套
	X1	Screw Key 3mm 内六角扳手
	X1	Screw Key 4mm 内六角扳手

**Tools Required/所需工具**



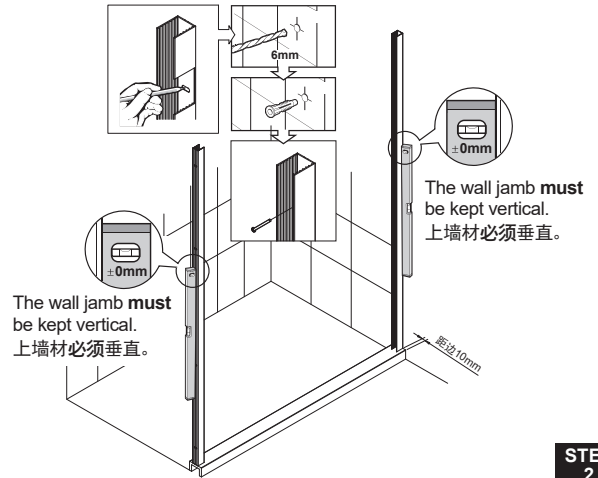
Mark the wall 10mm infrom the front edge of the tray.  
从挡水台边缘向内偏10mm。



**IMPORTANT:**  
Tray **MUST** be level  
along front edge.  
**重要:**  
底盘必须水平。

**STEP 1**

Fix wall jambs. One is fixed on the wall.  
The other is not fixed on the wall after the holes are drilled.  
固定上墙材，其中一支固定在墙上；  
另一支在墙上钻出相应孔位后，不固定在墙上。

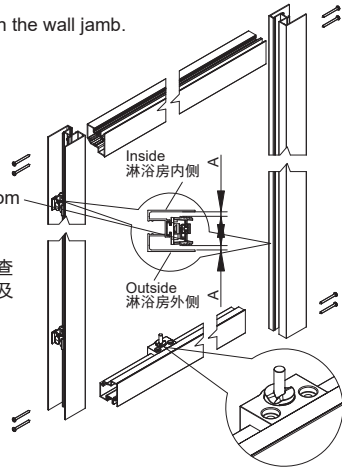


The wall jamb **must**  
be kept vertical.  
上墙材必须垂直。

The wall jamb **must**  
be kept vertical.  
上墙材必须垂直。

**STEP 2**

Fix the top and bottom frames on the wall jamb.  
将上下横梁固定在边立柱上。



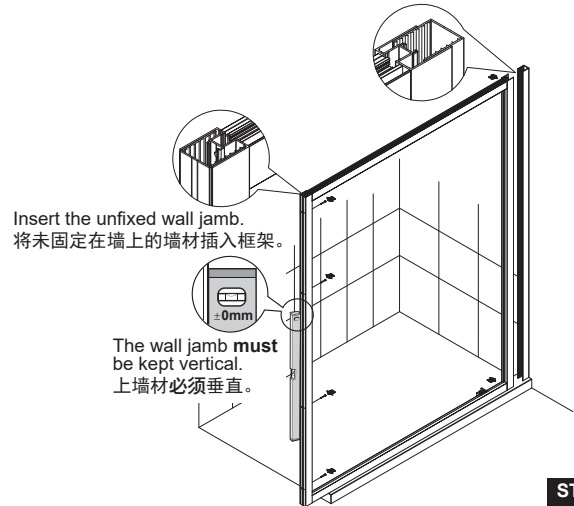
**Note:** Before fixing top and bottom frames, make sure wall and wall jamb is properly connected.  
**注意:** 固定上下横梁之前必须检查竖材与墙材连接件是否组装好以及方向。

**Note:** Check whether the top and bottom rail pins are properly fixed. Plastic inserts of bottom rail are as shown. Plastic inserts of top rail are flat without notch.

**注意:** 检查上下轨道的轴座有无安装好，下轨道塑料镶件如图。上轨道塑料镶件是平的，没有缺口的。

**STEP 3**

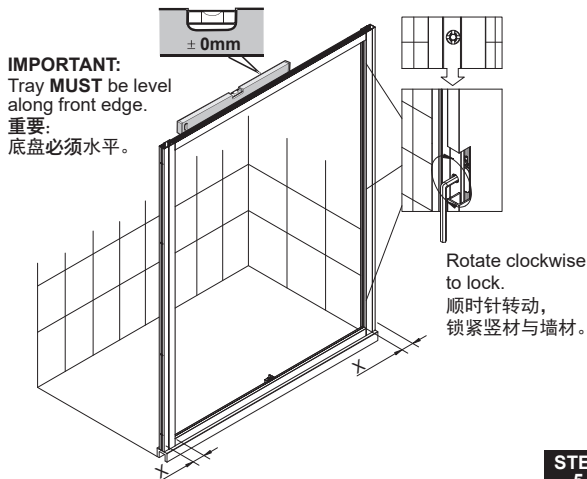
Insert the unfixed wall jamb into the frame. Then insert the whole wall jamb and fix the unfixed wall jamb.  
将未固定在墙上的墙材插入框架，然后整体插入上墙材，再固定未固定的墙材。



Insert the unfixed wall jamb.  
将未固定在墙上的墙材插入框架。  
The wall jamb **must**  
be kept vertical.  
上墙材必须垂直。

**STEP 4**

Adjust the top and bottom frames vertical. The length shall be the same on two sides. Then rotate the lock to fix wall jamb.  
将框架上下轨道调水平，垂直，两边铝材长度大致相等，然后旋转联墙组件锁扣，固定墙材和竖材。

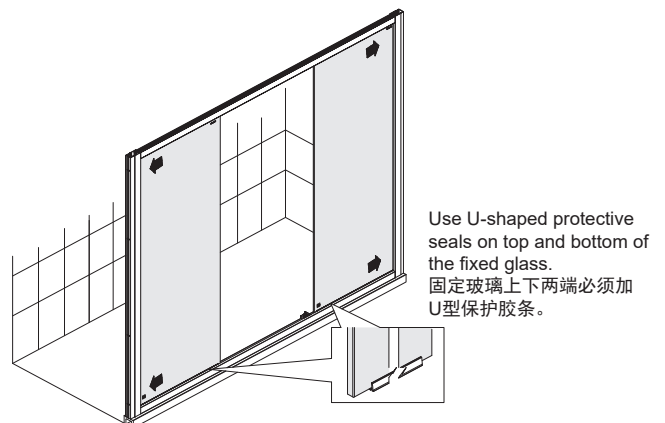


**IMPORTANT:**  
Tray **MUST** be level  
along front edge.  
**重要:**  
底盘必须水平。

Rotate clockwise to lock.  
顺时针转动，  
锁紧竖材与墙材。

**STEP 5**

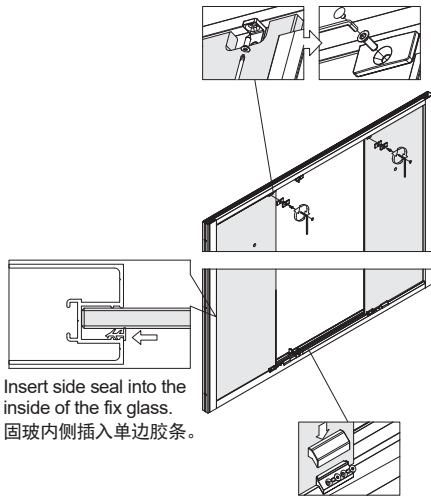
Insert fixed glass into top and bottom rails and then into wall jambs.  
将固定玻璃卡入上下轨道，再插入竖材内。



Use U-shaped protective seals on top and bottom of the fixed glass.  
固定玻璃上下两端必须加U型保护胶条。

**STEP 6**

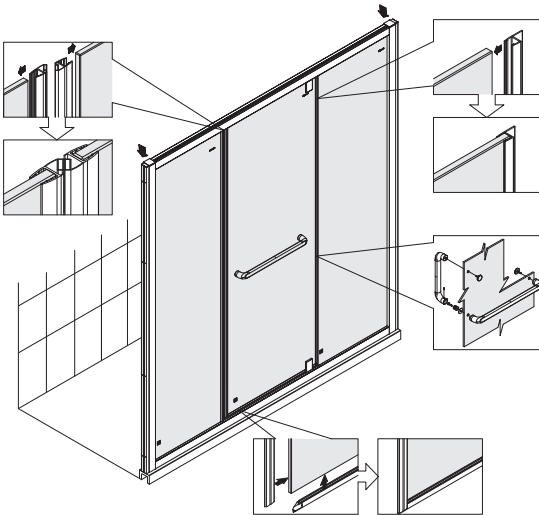
Insert side seal into the inside of the fix glass. Install top and bottom blocks to make the fixed glass firm.  
固玻内层插入单边胶条，按照示意图安装上下固定块，固定固玻。



Insert side seal into the inside of the fix glass.  
固玻内侧插入单边胶条。

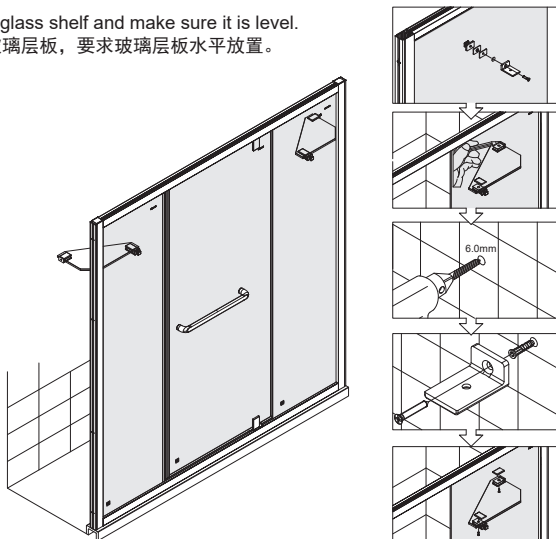
**STEP 7**

Install seals, handle and top cover.  
安装拉手以及胶条、顶盖等。



**STEP 9**

Install glass shelf and make sure it is level.  
安装玻璃层板，要求玻璃层板水平放置。

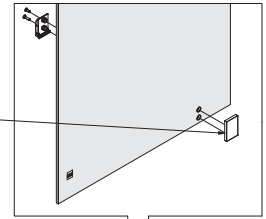


**STEP 10**

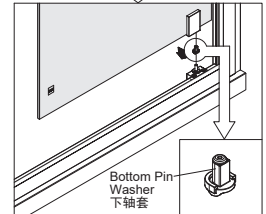
Install door glass.  
安装门玻。

1. Fix bottom clamp.  
Caps are not installed in this step.  
安装下转轴夹。注意此步不安装装饰盖。

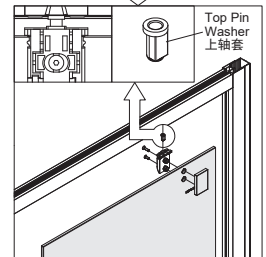
Pay attention to the height of top and bottom clamps. Top clamp shall be higher than bottom clamp.  
安装时注意上下转轴夹的高度，注意上转轴夹比下转轴夹高。



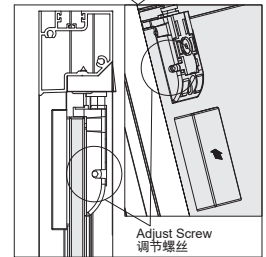
2. Install bottom pin washer.  
Fix the door glass with bottom clamp onto the pin washer.  
安装下轴套，将带下转轴夹的门玻装入下轴套。



3. Fix top pin washer and clamp.  
安装上轴套，固定上转轴夹。

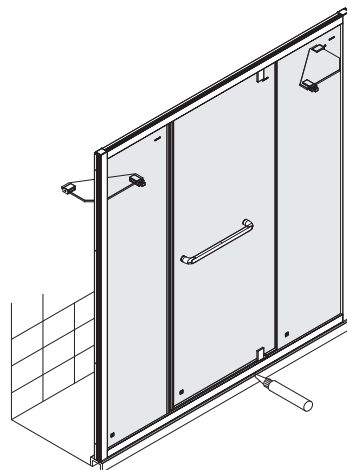


4. Adjust door glass to a proper position with screws in the top and bottom clamps (see the circled pictures) and then install the caps.  
上下转轴夹中都有调节螺丝，可以调节门玻的下坠，扭曲（见图中圆形位置）。将门玻调到理想位置后盖上装饰盖。



**STEP 8**

Apply silicone sealant to both sides of the bottom threshold.  
挡水配件内外两侧涂一层防水胶。



**STEP 11**