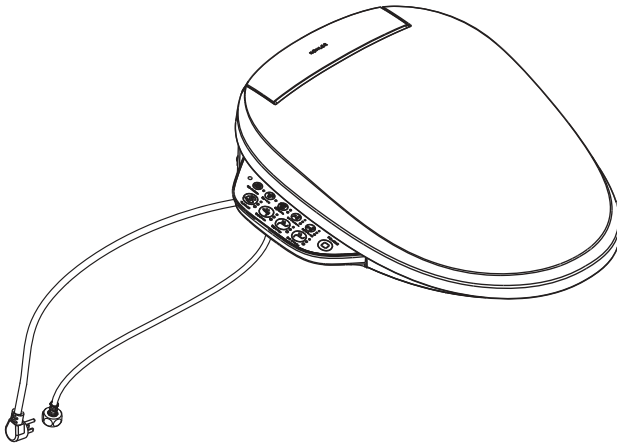


# Installation Guide

## 安装说明

SMART SEAT  
C3電腦馬桶便座  
K-8297TW-0  
K-8297TW-ZY-0



KOHLER CHINA INVESTMENT CO., LTD  
NO.158, JIANG CHANG SAN ROAD, JING'AN DISTRICT, SHANGHAI, PRC POST CODE: 200436  
SHANGHAI KOHLER ELECTRONICS CO.,LTD.  
NO.1955, FENG XIANG ROAD, BAO SHAN DISTRICT, SHANGHAI, PRC POST CODE: 200444  
IMPORTER: KOHLER ASIA PACIFIC TAIWAN BRANCH, TEL.: +886-2-25818196  
8F., No. 148, SONGJIANG Rd., ZHONGSHAN DIST., TAIPEI CITY 104,  
TAIWAN (R.O.C.), POST CODE: 104492

科勒（中國）投資有限公司  
中國上海市靜安區江場三路 158 號 郵編：200436  
製造商：上海科勒電子科技有限公司  
中國上海市寶山區豐翔路 1955 號 郵編：200444  
進口商：香港商科勒亞洲有限公司台灣分公司 電話：+886-2-25818196  
台灣台北市中山區松江路148號8樓 郵編：104492

English page 2-7  
繁體頁碼 8-13  
1233576-TW01-C

**KOHLER**®

# Thank You For Choosing Kohler Company

We appreciate your commitment to Kohler quality. Please take a few minutes to review this manual before you start installation. If you encounter any installation or performance problems, please don't hesitate to contact us. Thanks again for choosing Kohler Company.

## Tools and Materials



Adjustable Wrench



Blade screwdriver

## Before You Begin



**WARNING:** Risk of electric shock, fire, or personal injury. This product must be grounded. Connect only to a dedicated 110 V AC, 60Hz circuit protected by a minimum 15A Ground-Fault Circuit- Interrupter (GFCI) or Earth-Leakage Circuit-Breaker (ELCB).



**WARNING:** Risk of electric shock or product damage. Do not immerse product within water.

**NOTICE:** To avoid possible product malfunction, do not plug in the seat until instructed to do so.

**IMPORTANT!** Risk of product damage. Do not install seat in a location where water might be splashed on the product

**IMPORTANT!** Risk of product damage. Do not install this seat in a location exposed to excessive moisture where condensation might form on the product surface. Provide adequate ventilation to avoid damage to the electronic components due to high humidity levels.

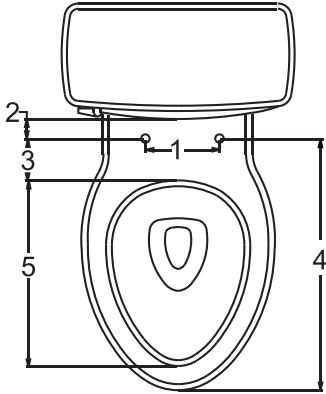
**IMPORTANT!** Risk of product or property damage. Pushing or pulling on the water connection may cause water leakage.

**IMPORTANT!** Risk of product damage. Do not apply excessive force to the spray wands. Product may break.

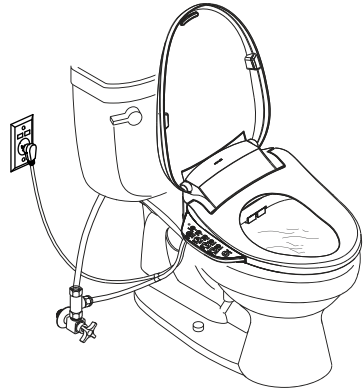
**IMPORTANT!** Risk of product damage. Align thread when connecting water inlet hose, otherwise product water inlet thread might damage which should cause water leak.

- Observe all local plumbing, electrical, and building codes.
- All information in these instructions is based upon the latest available product information. Kohler Company reserves the right to make changes at any time without notice.
- Do not use an extension cord with this product.
- Only connect to a cold water supply which dynamic water at a pressure of 0.7kgf/cm<sup>2</sup>~7.5kgf/cm<sup>2</sup>(0.07MPa~0.74MPa).
- Only connect to water supply at a drinking quality .
- Unplug the seat and drain the seat if the functions of the seat will not be operated for an extended period of time.

## 1. Proper Toilet Cover Dimension Requirement and Installation tips.



1. Mounting hole dimension: 136-210mm
2. Mounting hole to water tank dimension: > 35mm
3. Mounting hole to toilet ring distance: < 80mm
4. Mounting hole to toilet top distance: 460-490mm
5. Toilet ID dimension: 370-390mm

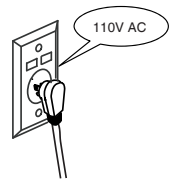


6. The electrical outlet should be located within 1m of the toilet to accommodate the length of the power cord.

## 2. Install an Electrical Outlet



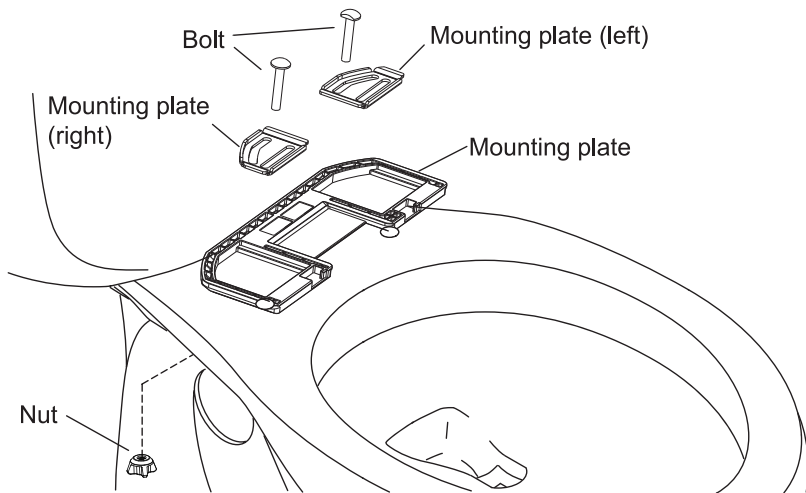
**WARNING:** Risk of electric shock, fire, or personal injury. This product must be grounded. Connect only to a dedicated 110 V AC, 60 Hz circuit protected by a minimum 15 A Ground-Fault Circuit-Interrupter (GFCI) or Earth-Leakage Circuit-Breaker (ELCB).



- Suggest to use water proof socket. Do not use an extension cord with this product. Note: Observe all local plumbing and building codes.
- Route the electrical and install to a 110 V GFCI- or RCD-protected receptacle.

## 3. Preparation

- Turn off the water supply to the toilet.
- Flush the toilet to relieve any pressure from the water supply pressure.
- Place one container under water inlet valve for excessive water.
- Disconnect the water supply hose from the toilet water inlet valve.
- Remove current seat.



## 4. Install Mounting Plate

Note: align left/right mounting plate with mounting holes, bend mounting plate upwards.

- Position the mounting plate over the mounting holes on the bowl.
- Insert the bolts through left/right mounting plate so they rest in the grooves of the mounting plates.

Note: some toilet base plate has already equipped with threaded insert, no nut required for such toilet.

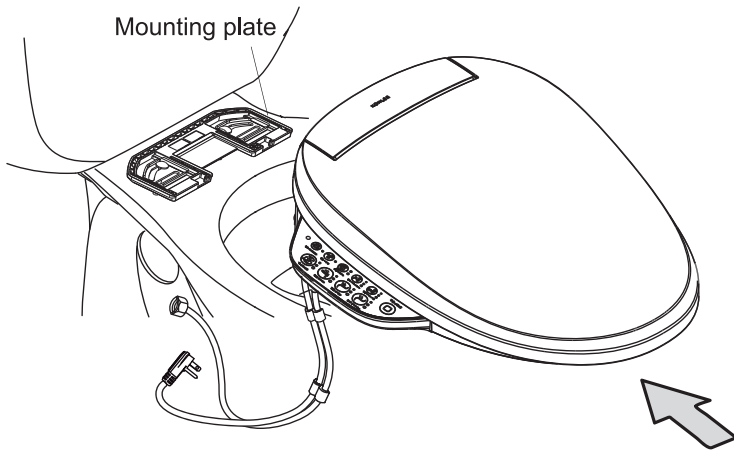
Toilet with threaded inserts:

- Insert bolts through the mounting plate, move left/right mounting plate and position the bolts so they rest in the groove of the mounting plates. Pay attention to mounting plate direction: mounting plate bend upwards
- Tighten bolts slightly towards threads direction. Loosely thread a nut onto each of the bolts for future adjustment.

For all other toilets installation:

- Position the mounting plate over the mounting holes on the bowl.
- Insert bolts through the mounting plate, move left/right mounting plate and position the bolts so they rest in the groove of the mounting plates. Pay attention to mounting plate direction: mounting plate bend upwards.
- Insert each bolt through the mounting plate and into the mounting holes.
- Position the left/right mounting plate so to rest in the grooves of the mounting plate.
- Loosely thread a nut onto each of the bolts. Manual tighten nuts.





## 5. Install the seat

- Align seat cover bottom so they rest in the grooves of the mounting plate. Slide seat cover toward water tank direction above the seat until you feel it snap into place

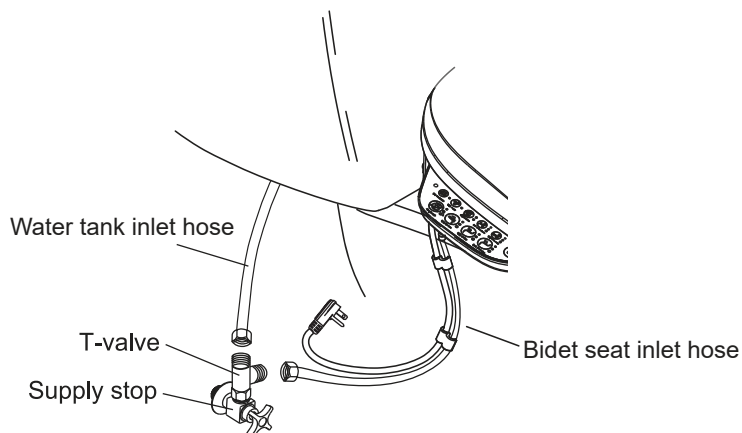
Note: adjust mounting plate to align with related toilet position as needed.

For toilet with threaded inserts:

- Adjust seat cover position, dismantle seat cover when needed. Readjust mounting plate position.
- Once seat cover position is defined, remove cover seat, tighten mounting plate.
- Reinstall seat cover.

For all other installation:

- Adjust seat cover position, do not remove seat cover. Tighten nut to adjust seat cover and mounting plate position. Tighten nut directly when position is proper. Do not worry bolts rotation.

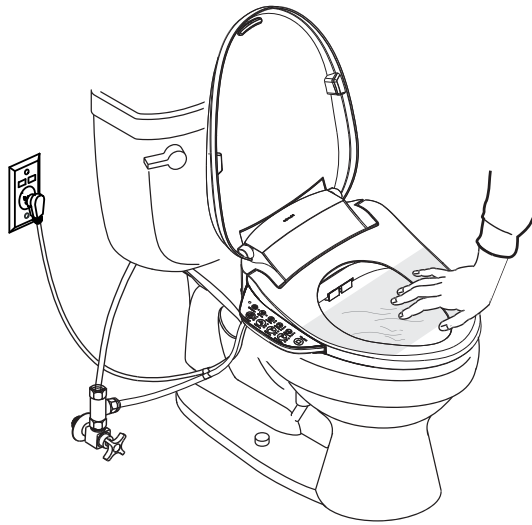


## 6. Connect the water supply

**IMPORTANT!** Risk of product damage. Align water inlet hose with seat cover thread. Use care to avoid cross threading or over tighten the connector. Manual tighten connector and then use tool to tighten bolts for another  $\frac{1}{4}$  circle.

**IMPORTANT!** Risk of product damage. Use care to avoid product surface scratch

- Connect the T-valve with toilet water inlet hose.  
Note: For new installed pipeline system, before connect water inlet hole with T-valve, discharge water for a few second to eliminate sand or stain within hose
- Connect the T-valve to the seat with the hose.  
Note: Do not reuse any old hoses.
- Connect T-valve with water supply.
- Turn on water supply.  
Note! Completely clean water supply hose to eliminate any debris within pipeline. Use drinking quality water, do not use industrial water, waste water, sewage water or sea water.
- Check all connections for leaks and make any adjustment as needed.



## 7. Installation Checkout

- Wrap the toilet seat with plastic wrap. This will prevent water from spraying from the toilet during testing.
- Plug power cord into socket, Bidet seat generate one short beep, wand extend and retract once, side panel backlight and night light blink until initialization completion.
- Attach the clips along the hose and power cord.
- The seat is activated by skin-to-seat contact. To activate the seat controls for testing purpose, when facing the toilet, place your hand or a damp wash cloth on the right side of the seat approximately 1/3 from the front of the seat (as illustrated).
- Continue reference “Operation” section within user’s manual to checkout different functions.

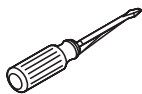
## 謝謝您選擇科勒公司

我們感謝您對科勒質量的信任。在您開始安裝前，請花幾分鐘的時間閱讀這本手冊。如果您在安裝或性能方面遇到任何問題，務必請您與我們聯系。再次感謝您選擇科勒公司。

## 工具和材料



可調節扳手



壹字螺絲刀

## 安裝之前



**警告：**觸電，火災或人身傷害的危險。本產品必須接地良好。只能連接到專用的110VAC，60Hz，15 A的帶接地故障斷路器或接地漏電保護器的電路中。



**警告：**觸電或產品損傷的危險。不要把產品浸沒在水中。

**重要！** 產品損傷的危險。在所有其它安裝步驟結束之前不要插電源線播頭。

**重要！** 產品損傷的危險。不要把產品安裝在水可能濺到的地方。

**重要！** 產品損傷的危險。不要把產品安裝在過分潮濕的地方，在這種地方，水汽可能凝聚在產品表面。請始終保持使用環境有足夠的通風，以防止電子組件的損壞。

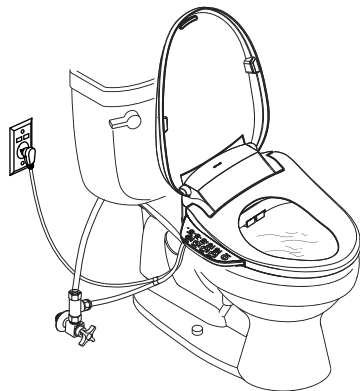
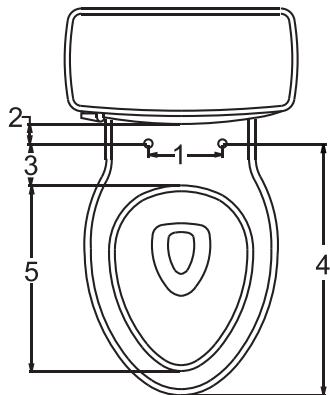
**重要！** 產品損壞或財產損失的危險。硬推，硬拉水管接頭可能造成水滲漏。

**重要！** 產品損傷的危險。不要在噴嘴上施加過大的力，否則產品可能損壞。

**重要！** 產品損傷的危險。連接本產品進水管時要小心對正螺紋，否則會損壞產品進水口螺紋，造成漏水。

- 遵守所有當地的管道和建築標準。
- 這本說明中所有的信息基於最新公開的產品信息。科勒公司保留在任何時間不通知的情況下做改變的權利。
- 不要使用延長電線連接產品。
- 連接到流動水壓在0.7kgf/cm<sup>2</sup>~7.5kgf/cm<sup>2</sup>(0.07Mpa~0.74Mpa)的冷源。
- 只能連接到水的水源。
- 如果產品長時間不用，請拔下插頭並排幹本機裏的水。

## 1. 適配座便蓋尺寸要求及安裝小貼示

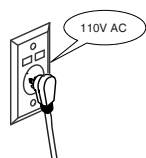


1. 安裝孔的間距：136-210mm
2. 安裝孔與水箱的距離： $> 35\text{mm}$
3. 安裝孔與座便器內圈的距離： $< 80\text{mm}$
4. 安裝孔到座便器頂端的距離：460-490mm
5. 座便器內徑尺寸：370-390mm
6. 安裝前請在座便器左側約1米範圍內預留電源插座。

## 2. 安裝電路出口



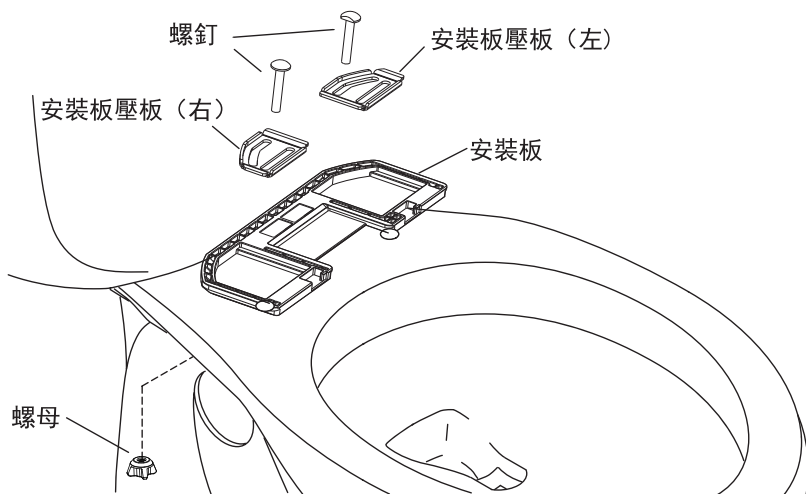
警告：觸電，火災或人身傷害的危險。本產品必須接地良好。只能連接到專用的110VAC，60Hz，15A的帶接地故障斷路器或接地漏電保護器的電路中。



- 建議使用防水型插座，不要使用延長電線連接產品。
- 注意：在決定電路出口位置時，要按照當地的標準。
- 連接到110V並帶有接地故障斷路器或接地漏電保護的電路中。

## 3. 準備

- 關閉座便器的供水系統。
- 沖洗座便器，釋放來自供水管的壓力。
- 在進水閥下方旋轉壹個窗口裝多余的水。
- 斷開座便器進水閥與供水管的連接。
- 移除現有的座圈。



#### 4. 安裝安裝板

注意：左、右安裝板壓板與安裝板上的孔形對應，安裝板壓板折彎向上。

- 在座便器安裝孔上方放置安裝板
- 把螺釘分別插入左、右安裝壓板上合適的條形孔內。

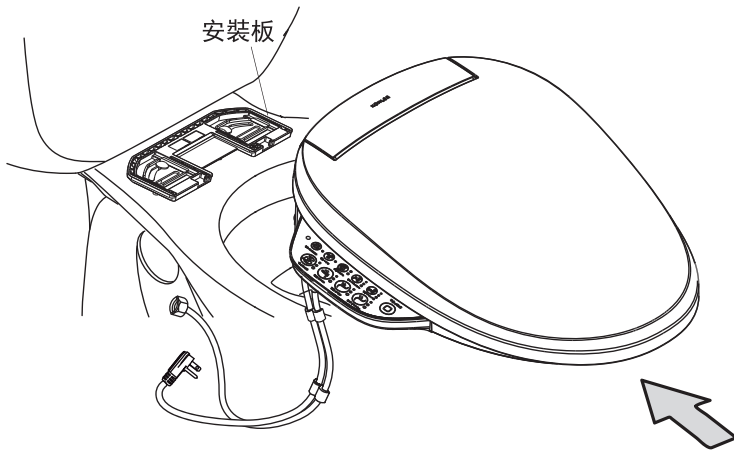
注意：壹些座便器的底板孔內已經有螺紋，這種座便器不需要螺母。

對有螺紋孔的座便器：

- 把螺釘插入安裝板和座便器安裝孔內，移動左、右安裝板壓板，使之置於安裝板上對應的凹槽內，注意安裝板壓板方向：安裝板壓板折彎向上。
- 順著螺紋輕輕地擰緊螺釘，不要擰得過緊，以便調整。

對其他座便器：

- 在座便器安裝孔上方放置安裝板。
- 把每個螺釘分別插入左、右安裝板壓板合適的條形孔內，注意安裝板壓板方向：安裝板壓板折彎向上。
- 把螺釘插入安裝板和座便器的安裝孔內。
- 移動左、右安裝板壓板，使之置於安裝板上對應的凹槽內。
- 在每個螺釘擰上螺母，用手擰緊螺母。



## 5. 安裝座便蓋

- 對正座便蓋底部和安裝板之間的卡槽，把座便蓋在座便器座圈面上向水箱方向移動，當聽到啞聲說明安裝完成。

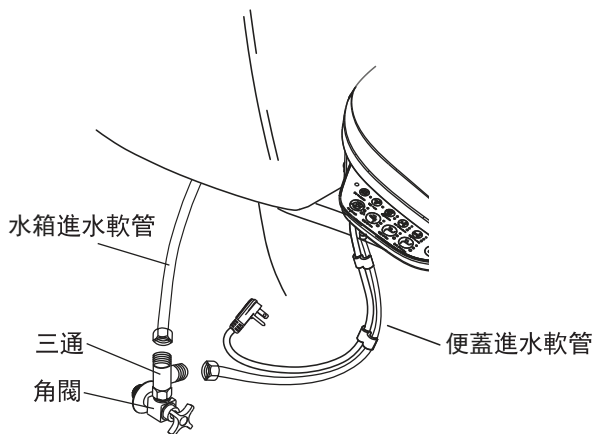
注意：安裝板可能需要調節來完全地對準座便器相對位置。

對有螺紋孔的座便器：

- 要調節座便蓋位置，如有必要可以移除座便蓋，重新調節安裝板的位置。
- 一旦座便蓋位置確定，移除座便蓋，牢固的擰緊安裝板。
- 重新安裝座便蓋。

對其他座便器：

- 要調節座便蓋的位置，不需移除座便蓋，只需擰緊螺母，即可擺動調節座便蓋及安裝板的位置，當位置適當，直接擰緊螺母即可。不必擔心螺釘會跟轉。



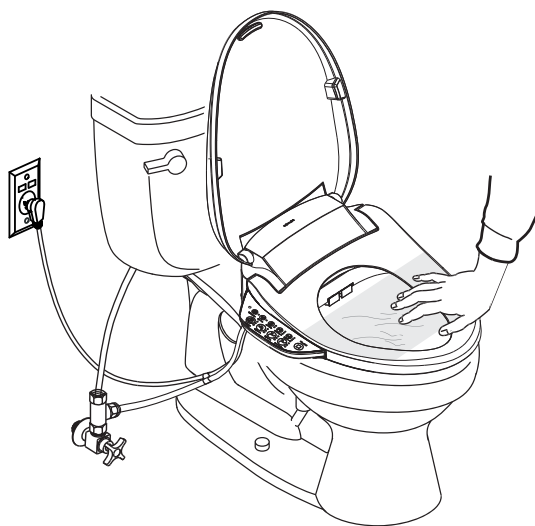
## 6. 連接供水系統

**重要！** 產品損傷的危險。小心對正進水管與座便蓋的螺紋，不要破壞螺紋或過於擰緊接頭。為了牢固的擰緊接頭，用手擰緊後用工具再擰緊1/4圈。

**重要！** 產品損傷的危險。小心不要刮傷產品表面。

- 直接將三通與座便器進水管口相連。  
注意：對新安裝的管路系統，在將進水軟管連接至三通以前，須直接排水數秒，以清除管道內沙石，污垢等。
- 用提供的軟管連接三通和座便蓋。  
注意！請勿重複使用舊軟管。
- 把三通與供水系統相連。
- 打開供水系統。  
注意！壹定要先徹底沖洗供水管以清除管道中的雜質，使用水源為飲用自來水，切勿使用工業用水，廢水，汗水以及海水。
- 檢查所有連接是否有漏水，如果需要可做調整。





## 7. 連接電源及安裝檢查

- 用塑料布包裹在座圈上，防止測試時水噴出。
- 把電源線插上電源插座，座便蓋發出短蜂鳴1次，噴管伸縮1次，側鍵盤上背光燈 / 夜燈閃爍，直至初始化結束。
- 在軟管和電源線間扣上線夾。
- 座圈設計為有落座感應啟動工作。為了激活座圈達到測試的目的，首先面對座便器，然後把手或者壹塊瀑布放在座圈右邊離前端大約1/3處（感應區域）。
- 繼續參考用戶手冊中的“使用方法”部分來測試產品的不同功能。