

BEFORE YOU BEGIN

安装之前

- Please read these instructions carefully to familiarize yourself with the required tools, materials, and installation sequences. Follow the sections that pertain to your particular installation. This will help you avoid costly mistakes. In addition to proper installation, read all operating and safety instructions.
- All information in these instructions is based upon the latest product information available at the time of publication. Kohler China reserves the right to make changes in product characteristics, packaging, or availability at any time without notice.
- These instructions contain important care, cleaning, and warranty information-**please leave instructions for the consumer.**
- 请仔细阅读说明书，熟悉所需工具、材料和安装顺序，参照相关章节完成您所需的安装，以避免昂贵的损失，除了正确的安装外，请详阅所有的操作和安全说明。
- 本说明书所含的一切资料均以印刷时所有的最新产品为准，科勒中国保留权利随时更改产品特性、包装或供应情况，恕不另行通知。
- 本说明书也包含了有关保养、清洁及产品担保等重要信息-请交予用户保存。

ORDERING INFORMATION

ODEON® Wall-hung Toilet	K-8752T-W
Includes Bowl	K-8750T-W
Includes Toilet Seat	K-8020T
ODEON® Wall-hung Toilet	K-8752T-SW
Includes Bowl	K-8750T-W
Includes ODEON® Quiet-Close Toilet Seat	K-8827T

订购信息

奥帝安挂墙式座便器	K-8752T-W
含缸体	K-8750T-W
含欧款座便器盖板(净雅版)	K-8020T
奥帝安挂墙式座便器	K-8752T-SW
含缸体	K-8750T-W
含奥帝安欧款缓降座便器盖板	K-8827T

NOTES

- Observe all local plumbing and building codes.
- Shut off the water supply.
- Passageways is 60mm.
- Ensure that the new drain and shut-off valve have the correct roughing-in dimensions. **See Fig.#1.**
- Be very careful while working with vitreous china products. Vitreous china can break or chip if the bolts or nuts are overtightened, or if carelessly handled.
- Carefully inspect the new bowl for any sign of damage.
- Fixture dimensions are nominal and conform to tolerances established by ASME Standards (A112.19.2-2013).
- The product complies with GB 6952-2015.

注意

- 请遵守当地所有给排水及建筑规定。
- 关闭供水。
- 排污通道为60mm。
- 确保新排污管和止水阀坑距尺寸正确，请参阅图1。
- 请小心处理釉面陶瓷产品，因其容易破损和崩裂，故不可把螺栓或螺母上得过紧，且须小心轻放。
- 请仔细检查座便器是否有损坏。
- 部件尺寸为标定值，误差符合美国ASME标准(A112.19.2-2013)。
- 本产品符合GB 6952-2015。

No.2 KOHLER ROAD, SANSHUI CENTRAL INDUSTRIAL PARK, LEPING TOWN, SANSHUI DIST., FOSHAN, GUANGDONG, PRC POST CODE 528137
广东省佛山市三水区乐平镇三水中心工业园区科勒大道2号 邮编：528137

8# MENGSHAN RD, ECONOMIC DEVELOPMENT ZONE OF HUANTAI, ZIBO, SHANDONG, CHINA POST CODE: 256410
山东省淄博市桓台经济开发区蒙山路8号 邮编：256410

TOOLS AND MATERIALS REQUIRED (Not supplied)

所需工具及材料(不随货供应)

- 254mm adjustable wrench
- Metal file (file cut)
- Tape measure
- Tubing cutter
- Level
- Hacksaw
- Putty knife
- Screwdriver
- Straight pipe coupling
- Connection packing

- 254mm活动板钳
- 锉刀
- 卷尺
- 切管刀
- 水平尺
- 钢锯
- 涂油灰刀
- 螺丝刀
- 连接直管
- 连接组件

ROUGHING-IN

尺寸图

Reference Value
参考值

Unit: mm
单位: 毫米

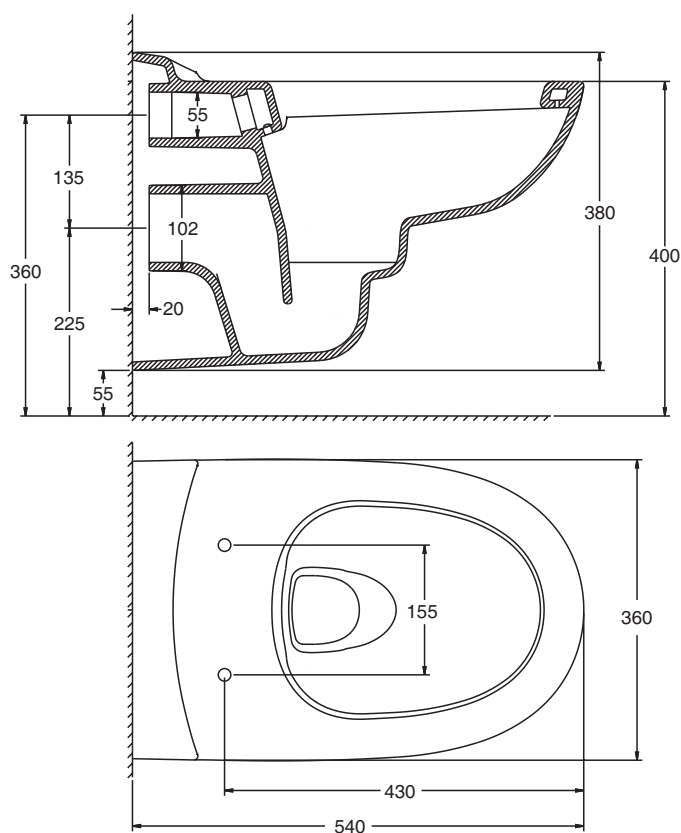


Fig.#1
图1

Kohler reserves the right to change marked dimensions without prior notice.
科勒公司保留随时变更图中标示尺寸的权利，无需另行通知。

INSTALLATION

安装

1. INSTALL THE TANK

- Turn the water supply off before installing the new toilet.
- Install the concealed tank system in wall before decorating the wall.
- Install the tank system per tank's installation instructions.

Recommended tanks (Fig.#2-a) and faceplates

Kohler in-wall tank and faceplate

- 1) K-6281T-W-NA (3/4.5L)
- 2) K-4179T-NA (3/4.5L)

Faceplates to be matched are K-4177T-CP or K-8857T-CP.

Recommended tank dimension(Fig.#2-b)

- 1) Tank height should be adjust between 0~200mm.
- 2) Tank should support weight 400kg.

1. 安装水箱

- 安装新座便器前先关闭供水。
- 在装饰墙面先将入墙式水箱系统安装入墙体内部。
- 参照水箱安装说明书完成水箱系统的安装。

推荐使用的水箱(图2-a)及面板

科勒入墙式隐藏水箱及面板

- 1) K-6281T-W-NA (3/4.5L)
- 2) K-4179T-NA (3/4.5L)

面板需另配K-4177T-CP或K-8857T-CP。

推荐支架关键尺寸图(图2-b)

- 1) 支架应具备可调节高度调节范围0~200mm。
- 2) 同时可承重400kg。

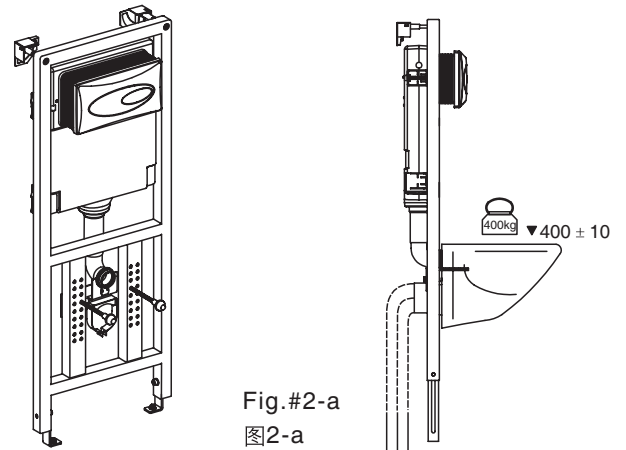


Fig. #2-a
图2-a

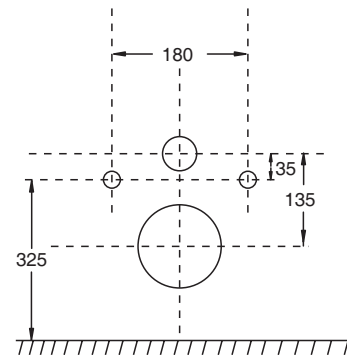


Fig. #2-b
图2-b

2. SET THE SPACING OF THE BOWL

After you install the tank, be careful to set the spacing of the bowl on wall according to the dimensions as shown.

2. 座便器定位

水箱安装完成后，根据图示尺寸，小心地在墙面上定好座便器的位置。

Unit: mm
单位: 毫米

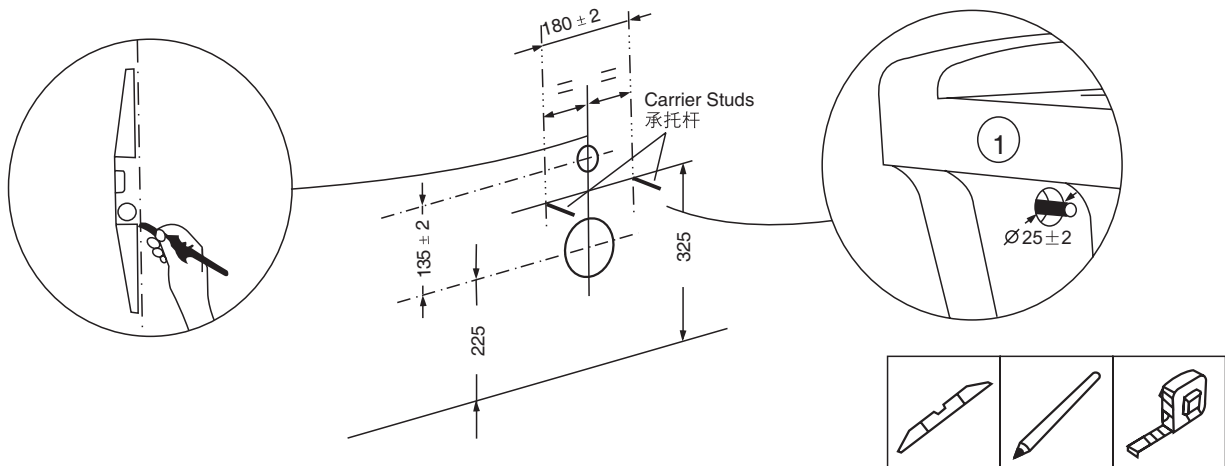


Fig. #3
图3

3. ATTACH CONNECTION PIPE

- Attach pipe with gasket to the inlet to link to the concealed tank.
- Attach pipe with gasket to the outlet.
- *Apply gasket for sealing the bowl to wall.
- You may apply some lubricant to help connect smoothly.

3. 安装连接管

- 连接管装上垫圈，接上入水口，连接入墙式水箱。
- 连接管装上垫圈，接上排污口。
- *垫圈使座便器与墙面间严丝合缝。
- 可以使用润滑剂，有助连接。

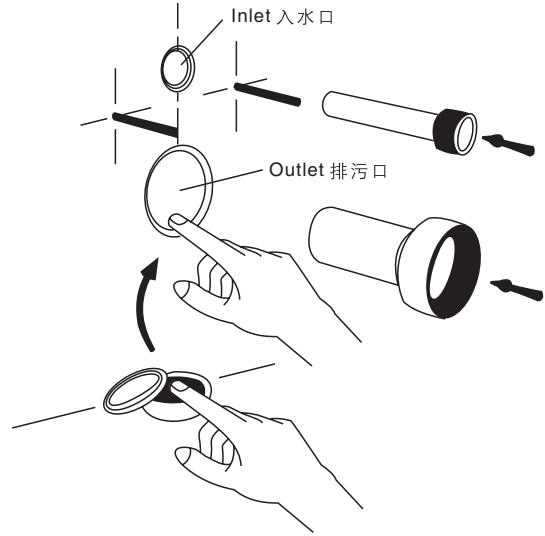
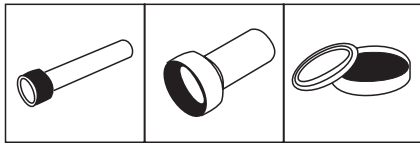


Fig.#4
图4

4. INSTALL THE NEW BOWL

Apply a little silicone sealant along the edge, to fill the gap between bowl and wall. **See Fig. 5a.**

4. 安装新座便器

沿座便器边缘涂少量硅胶密封胶，填补座便器与墙面之间的空隙。见图5a。

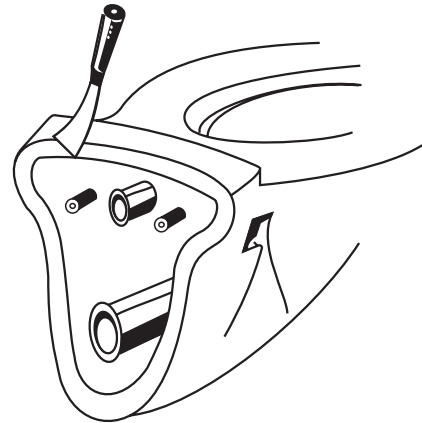


Fig. #5a
图5a

Place the new bowl on the wall through the carrier. Wrench the nut to tighten and make them attached securely.

See Fig. 5b.

- Torque for tightening nuts is recommended to be within the range from 8 Nm to 12 Nm.

座便器穿过承托杆置于墙上。上紧螺母，固定座便器。见图5b。

- 上紧螺母所用的扭矩推荐值为8Nm至12Nm。

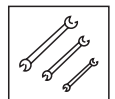
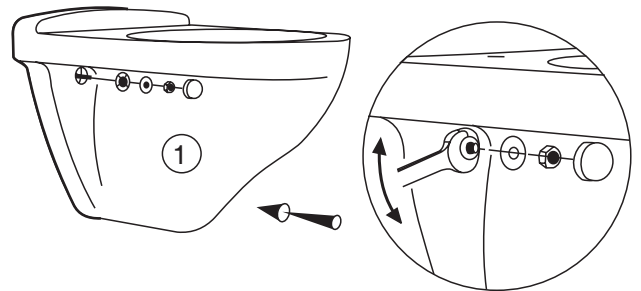


Fig. #5b
图5b

Adjust to horizontal and finish tightening. **See Fig. 5c.**
座便器调整至水平，然后完成固定。见图5c。

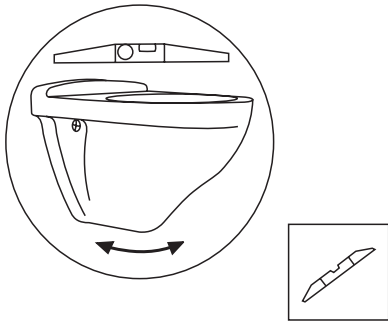


Fig. #5c
图5c

Apply sealant to make sure the bowl's edge seals to the wall.
See Fig. 5d.
使用密封胶，保证座便器边缘紧贴墙面。见图5d。

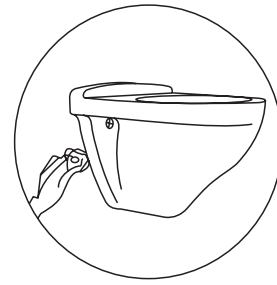


Fig. #5d
图5d

Install the toilet seat according to the toilet seat installation instructions.

根据盖板的安装说明书安装盖板。

IMPORTANT CONSUMER INFORMATION 用户须知

CONSUMER RESPONSIBILITIES 用户责任

If you live in a hard water area, make certain that the holes in the toilet rim are kept clean to ensure proper bowl flushing. Toilet bowl cleaners should be used at least once a week. Use a long-handled brush to clean the rim holes, and to clean as far into the trap as possible to prevent mineral deposits from forming.

如果你居住地方的水质是硬性，你必须保持冲水孔清洁，以确保座便器冲水正常。每星期应最少使用座便器清洁剂清洁一次，用长把手的刷子清洁冲水孔，并尽量伸入排污管洗刷，防止矿物质积聚。

Most toilet bowl cleaners are not harmful to the vitreous china surface of the toilet bowl. Please follow the bowl cleaner manufacturers instructions carefully.

大多数的座便器清洁剂对座便器釉面陶瓷是没有害的，请认真遵循座便器清洁剂制造商的指示来操作。

Do not use abrasive cleaners or solvents.

请勿使用腐蚀性清洁剂或溶剂。

WARNING: Risk of property or product damage.
Do not use in-tank cleaners. Products containing chlorine (calcium hypochlorite) can seriously damage fittings in the tank. This damage can cause leakage and property damage.

警告：提防楼宇受损或损坏产品。 请勿使用水箱内用清洁剂。含氯（次氯酸钙）的清洁剂会严重破坏水箱配件，从而引起渗漏，或对楼宇结构造成损坏。

Kohler Company shall not be responsible or liable for any damage to these tank fittings caused by the use of cleaners containing chlorine (calcium hypochlorite).

科勒公司对此类因使用氯（次氯酸钙）而引致的水箱配件损毁，概不负责。

CAUTION: Don't use any cement while installing the toilet. Heat expansion of the toilet may damage the feet of the toilet. Kohler will not be responsible for any damage because of using cement.

警告：在安装本座便器时切勿使用任何水泥。 因为水泥的热膨胀可能使座便器的脚部挤破或损坏。科勒对所有因为水泥安装而引起的座便器破裂恕不负责。

WARNING: Risk of product damage.
Do not throw into the toilet what is easy to block it, such as newspaper, paper pilch, sanitary towel. Do not bump the vitreous china with great force to prevent it from damaging and leaking. Do not use the product in the water below 0°C.

警告：提防损坏产品。
请不要向便器内冲入新闻纸、纸尿裤、妇用卫生巾等容易堵塞的物品。请不要用重力撞击陶瓷，以防止破损漏水。

不要在0°C以下的水环境中使用。

CAUTION: Please do not use hard materials (like scouring pad) to clean product surface, especially the product logo.

警告：请勿使用钢丝球等硬质材料擦洗产品表面，特别是产品商标处。