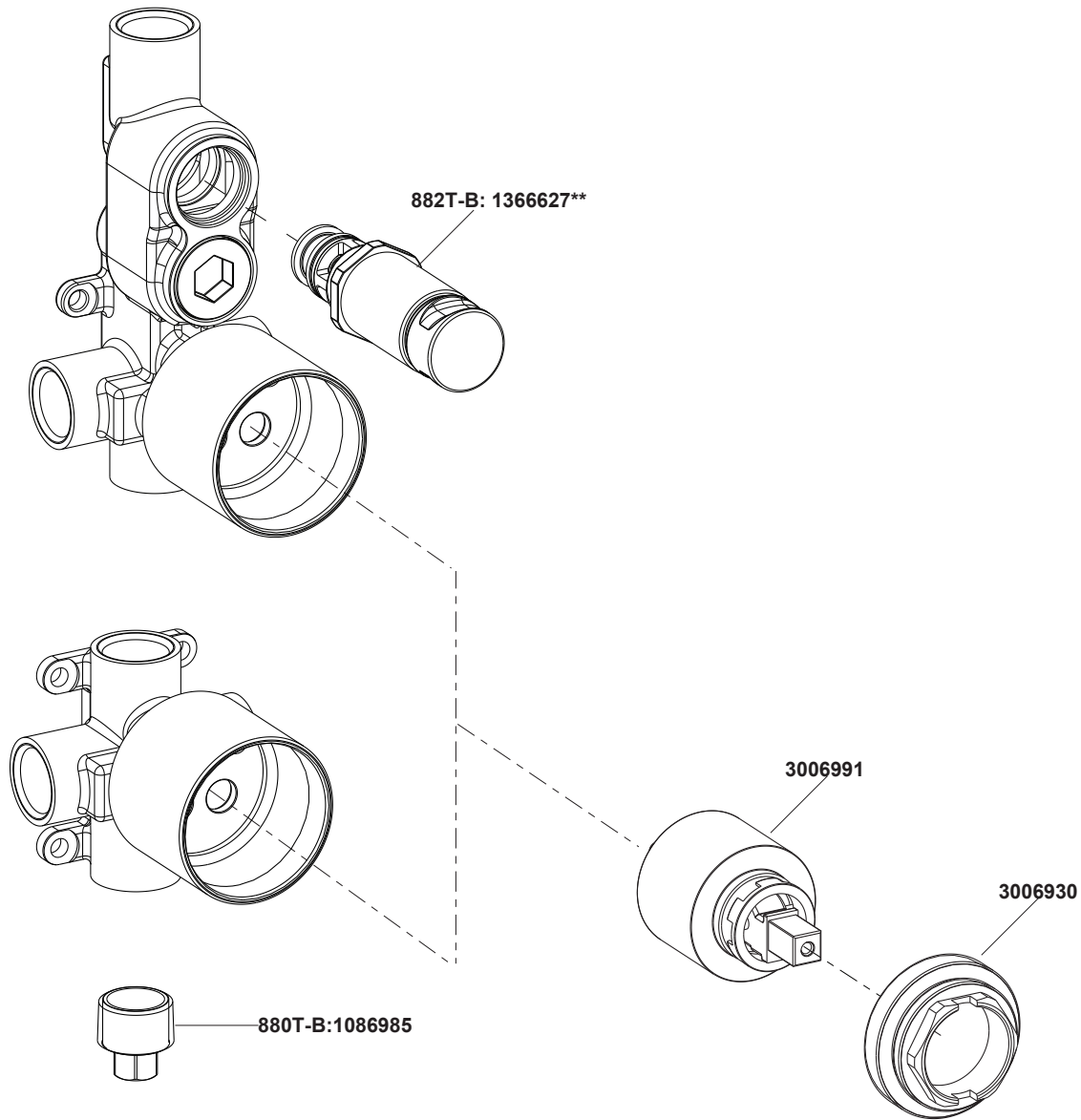


882T-B Recessed Valve System With Diverter  
880T-B Recessed Valve System



\*\*Color code must be specified when ordering

882T-B Recessed Valve System With Diverter  
880T-B Recessed Valve System

**BEFORE YOU BEGIN**

All information is based on the latest product information available at the time of publication. Kohler Co. reserves the right to make changes in product characteristics, packaging, or availability at any time without notice.

Please leave these instructions for the consumer. They contain important information.

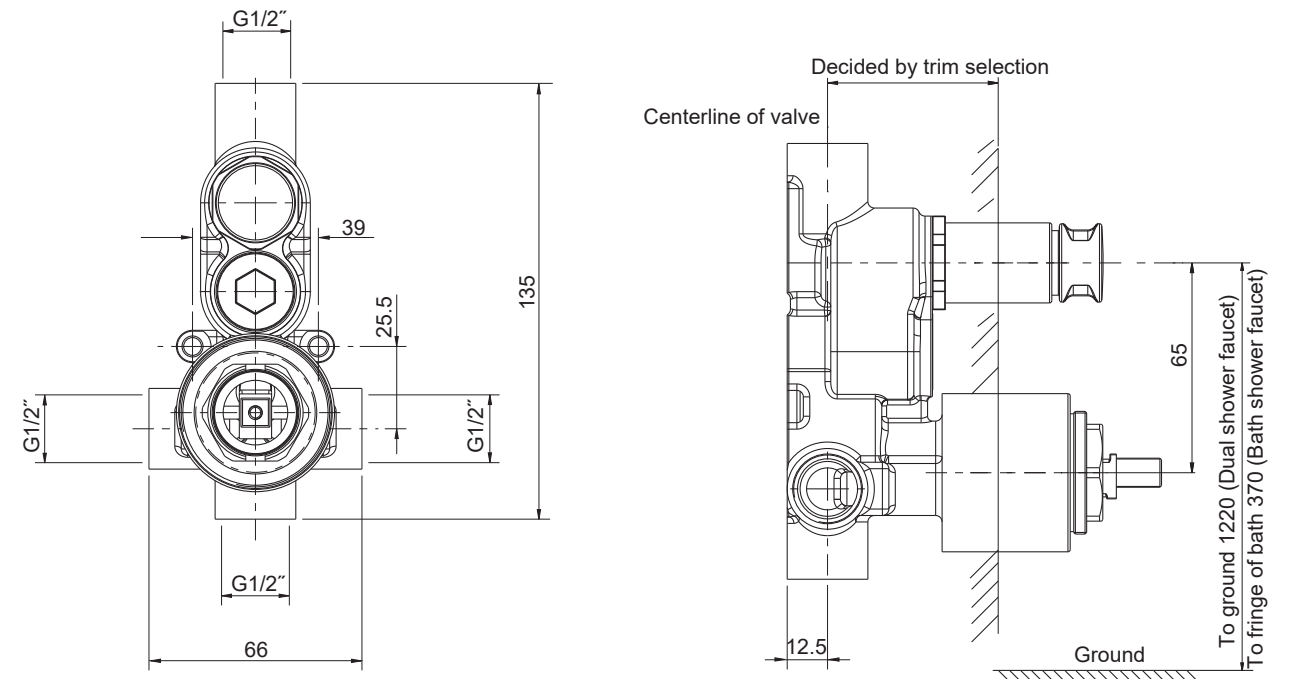
**NOTES:**

1. The dimension from the finished wall to the centerline of the valve decided by the trim selection.
2. Flush the water supply pipes thoroughly to remove debris.
3. Observe all local plumbing and building codes.
4. Shut off the main water supply.
5. Do not remove the plaster guard from the valve body until instructed to do so.
6. Check for leaks before covering the pipes, repairs as needed.
7. Inlet & outlet threads of valve are G1/2".
8. Please ensure only apply water pressure test on the product, and empty the air in pipe and faucet thoroughly before the test. Please ensure test pressure below 0.8MPa(8bar) and test duration within 30 minutes.

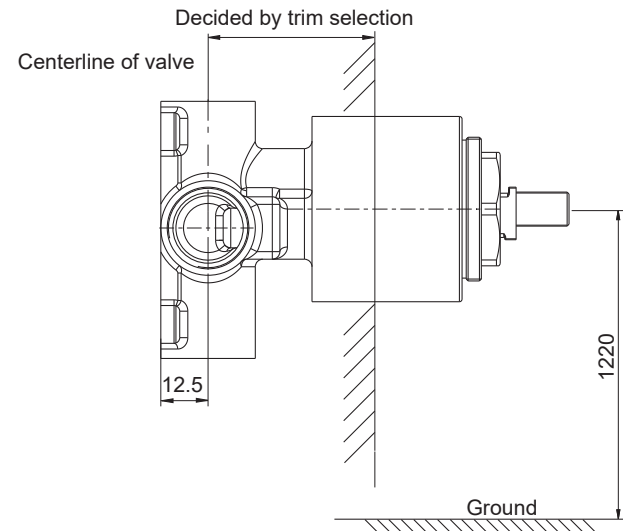
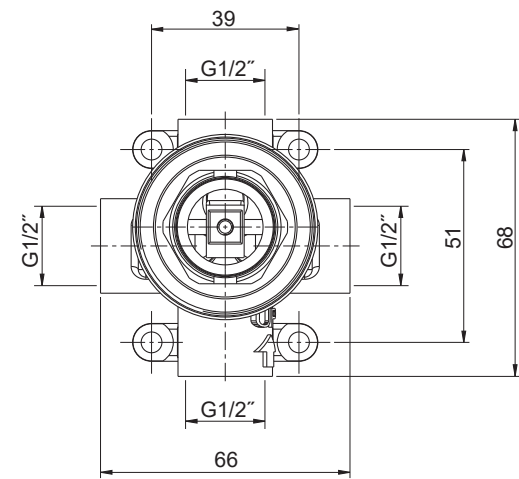
**OPERATION INSTRUCTION**

For 882T-B, lift diverter, turn clockwise until it stops for shower, turn counter-clockwise until it stops for bath spout.

**ROUGH-IN DIMENSIONS**

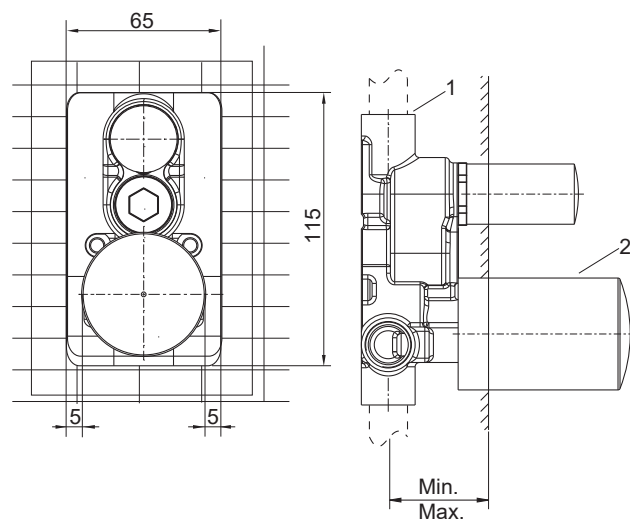


882T-B

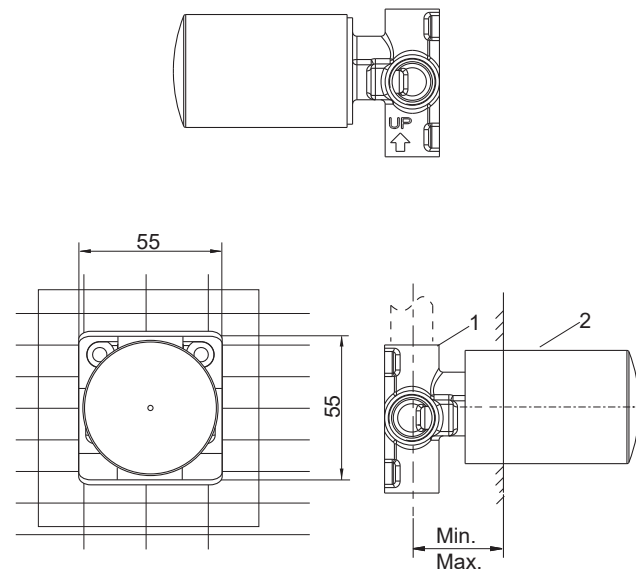


**880T-B**

## INSTALLATION



**882T-B**



**880T-B**

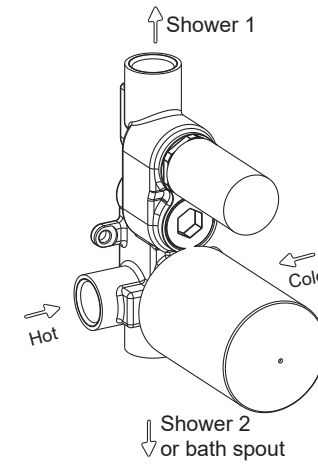
Flush the water supply pipes thoroughly to remove debris before installation. Shut off the main water supply. Determine a suitable location on the wall to install the valve body.

Be sure the valve body(1) is in correct direction as shown. **NOTE:** For 880T-B, the arrow is upward.

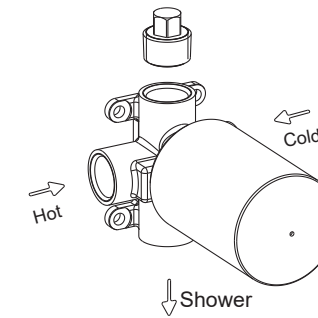
During installation, keep valve protectors(2) on valve body.

The Min. and Max. dimensions between the centerline of the valve and the outer surface of the finished wall are decided by trim selection. The size of finished wall hole extends from the size of body should be less than 5mm.

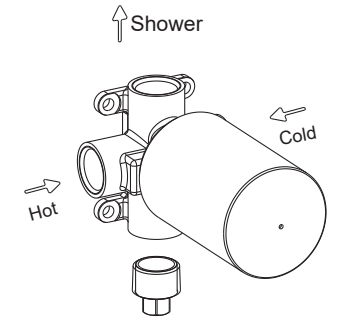
**NOTE:** Ensure the centerline of valve is perpendicular to the wall.



**882T-B**



**880T-B  
(Way 1)**



**880T-B  
(Way 2)**

Supply enough tape or sealants to all connections. Connect G1/2" hot and cold supplies, shower and bath pipings to valve body. Connect hot supply to the left end.

Install temporary nipples for shower and bath spout. During installation, keep valve protectors on valve body.

## CLEANING INSTRUCTIONS

All Finishes: Clean the finish with mild soap and warm water. Wipe entire surface completely dry with clean soft cloth. Many cleaners may contain chemicals, such as ammonia, chlorine, toilet cleaner etc. which could adversely affect the finish and are not recommended for cleaning.

Do not use abrasive cleaners or solvents on Kohler faucets and fittings.