

BEFORE YOU BEGIN

安装之前

- Read installation guide in illustration and word file carefully, and install the tank according to instructions in the guide to avoid product damage and installation inconvenience caused by inappropriate operation.
- All data contained is based upon the last product information available at the time of publication. Kohler Company reserves the right to implement changes of product characteristics, packaging and availability at any time without further notice.
- Do not apply erosive cleanser and solvent in the tank, which will damage tank spares and result in leakage in the tank. Kohler will not be responsible for any damage related to above mentioned cleanser or solvent.
- Do not apply spares that are not provided by Kohler, and please note that glass adhesive tape shall not be applied to the installation of Kohler spares. Kohler will not be responsible for any damage related to installation with spares not provided by Kohler.
- Water temperature must not exceed 27°C.
- 请仔细阅读图示说明及文字安装说明，按照说明书的步骤安装，以避免产品损坏或不良操作导致安装不便。
- 所有的资料是按出版时的最新产品资料编写的，本公司保留在任何时候不需通知便可更改产品的特征、包装或供应产品的权利。
- 请不要在水箱内使用具有腐蚀性的清洁剂或溶剂，否则会严重地损坏水箱配件，导致漏水。因使用上述清洁剂或溶剂而使水箱不能正常使用或出现其它连带性的损坏，本公司恕不负责。
- 请不要采用非本公司提供的零件，如玻璃胶等不能用于本公司配件的安装。因使用非本公司提供的零件安装而本公司产品导致的损坏，本公司恕不负责。
- 使用水温不超过27°C。

Ordering Information

HYDRO-TOWER 300 In-Wall Tank(With Frame)K-4178T
DROPLET In-Wall Tank FaceplateK-4177T
BEVEL In-Wall Tank FaceplateK-8857T

订购信息

海德丽300入墙式隐藏水箱(含固定支架)K-4178T
德瑞入墙式隐藏水箱面板K-4177T
贝芙入墙式隐藏水箱面板K-8857T

Wall-hung Toilet That Matches The Tank

- K-8752T/8750T ODEON Wall-hung P-Trap Toilet/Bowl
- K-19045W/19045T ESCALE Wall-hung P-Trap Toilet/Bowl
- K-18609T/19720T VIA Wall-hung P-Trap Toilet/Bowl
- K-19080/19080T PRESQU'ILE Wall-hung P-Trap Toilet/Bowl
- K-19957W/19957T OVE Wall-hung P-Trap Toilet/Bowl

可配的挂墙式座便器

- K-8752T/8750T奥帝安挂墙式座便器/缸体
- K-19045W/19045T艾思格尔挂墙式座便器/缸体
- K-18609T/19720T维雅挂墙式座便器/缸体
- K-19080/19080T佩斯格挂墙式座便器/缸体
- K-19957W/19957T欧芙挂墙式座便器/缸体

Function Explanation

- Anti flow-backwards
- Adjustment of inlet water level
- Adjustment of flushing volume
- Single/double gear flushing

功能说明

- 防倒流功能
- 进水水位可调节功能
- 排水水量可调节功能
- 双档冲水功能

Design And Installation Concept Of In-wall Tank

- Installation of in-wall tank is much easier and nice-looking comparative to that of traditional tank. Meanwhile, the space layout will be more reasonable due to the application of in-wall tank pipes and connectors.
- The most remarkable advantage of in-wall tank is that the installation will never be limited to certain area, and can be installed wherever as you wish, which will make the bathroom layout more reasonable and nice-looking, and make good use of every inch of the bathroom space.

隐藏水箱设计安装概念

- 隐藏式水箱提供了简单快捷的安装方式，与传统的安装方式相比更完善、更美观。同时由于使用了隐藏式的管路布置，使空间布局更为合理。
- 使用隐藏式水箱的显著优点是不再限于某一固定的地方安装，可以灵活地设置，从而可以使整个浴室布局更为合理、更为美观，充分利用每一寸可用空间。

Advantages Of In-wall Tank

- Made of macromolecular materials that prevents corrosion and leaking.
- Advanced water tank fitting, which makes possible the adjustment of the water discharge and double flush.
- Will not affect the structure of the wall and provides excellent sound insulation.
- Easy installation and time efficient.
- Do not need to prepare any other spare parts.
- Easy maintenance and servicing.
- Clean, garbage free, and space saving.
- Extra-thin shell of the tank helps to save a lot of space and fit for any walls.

隐藏式水箱的优点

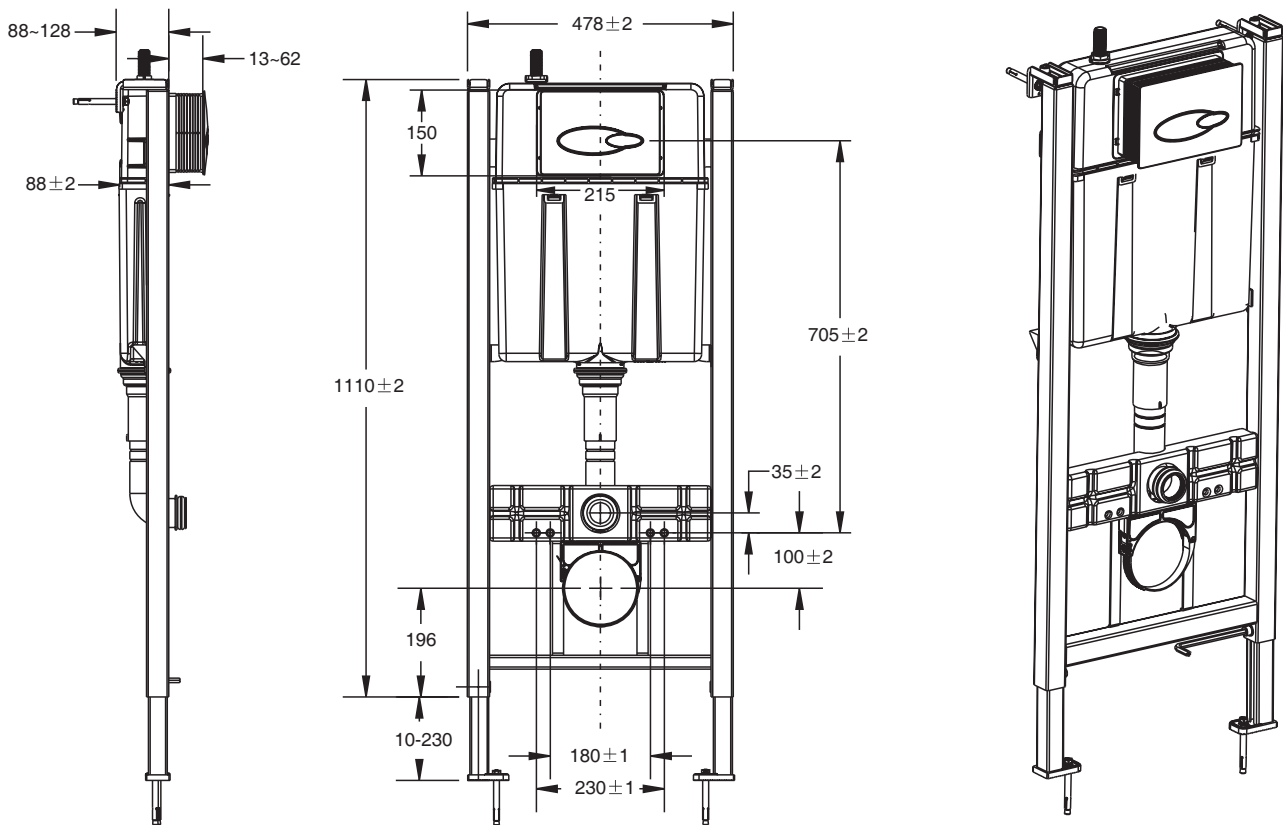
- 抗冲击，耐腐蚀的高分子材质水箱，杜绝漏水的可能性。
- 先进的水箱配件，可以调节排水量，以及具有双档冲水的技术功能。
- 不影响墙体结构，出色的隔音效果。
- 安装简便、快捷，省时省力。
- 无需准备其它的安装配件。
- 维护简易，无需改动墙体。
- 卫生清洁，无垃圾陈积，节省空间。
- 箱体超薄型，节省安装空间，广泛应用于各种薄壁墙体。

ROUGHING-IN

尺寸图

Reference Value
参考值

UNIT: mm
单位: 毫米



科勒公司保留随时变更图中标示尺寸的权利，无需另行通知。
Kohler reserves the right to change marked dimensions without prior notice.

INSTALLATION

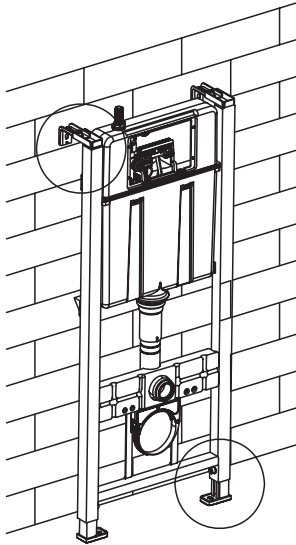
安装

A. Installation of In-wall Tank

1. Unscrew the medium allen key to adjust the length of the fixing frame as shown in illustration A.

Unscrew the medium allen key to adjust the length of the adjustable bracket as shown in illustration B.

Note: The fixing frame and the adjustable bracket can be adjusted according to customers' requirements, but make sure to balance the iron stand with spirit level.

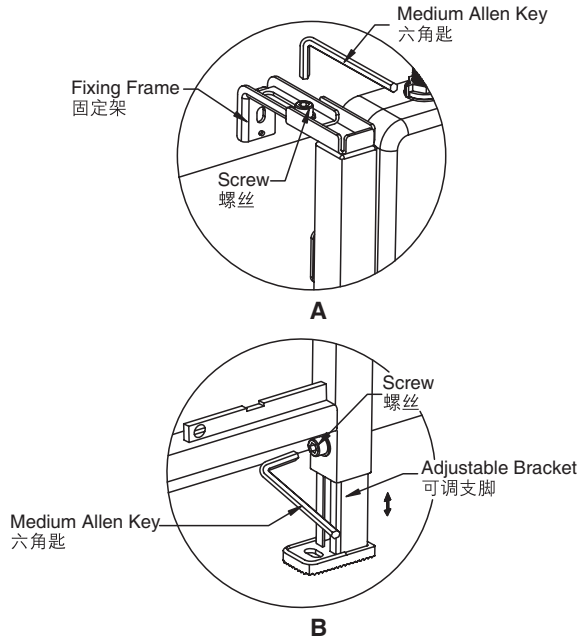


A. 隐藏水箱的安装

1. 如图A将六角匙拧松螺丝后可调节固定架伸长或缩短。

如图B将六角匙拧松螺丝后可调节可调支脚伸长或缩短。

注：固定架与可调支脚可根据客户的理想高度进行调节，调节时请用水平尺确保铁架保持平衡。



2. Drill two holes with diameter of 12mm and depth of 60mm with churn drilling as shown.

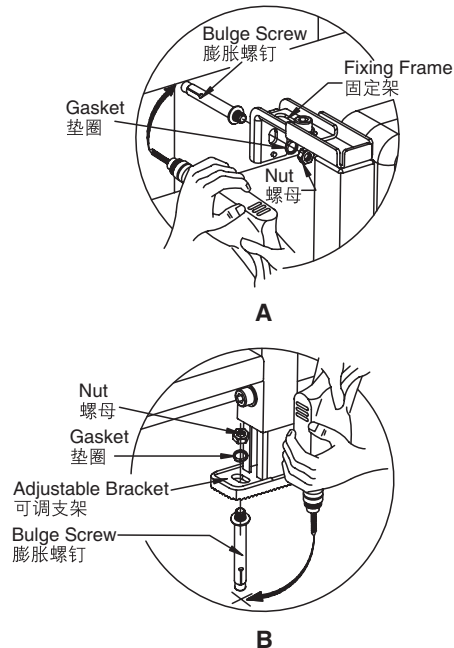
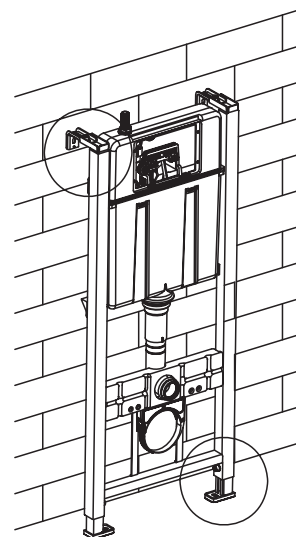
A. Fill the bulge nail into the instruction hole on the wall, fix the fixing frame to the bulge nail, adjust the gasket and tighten the nut.

B. Fill the bulge nail into the instruction hole, fix the adjustable bracket to the bulge nail, adjust the gasket and tighten the nut.

2. 如图A、B用冲击钻分别钻两个 $\varnothing 12\text{mm}$ 深60mm的小孔。

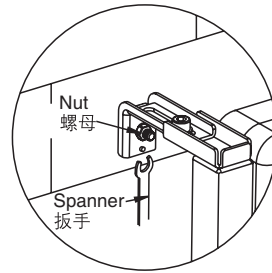
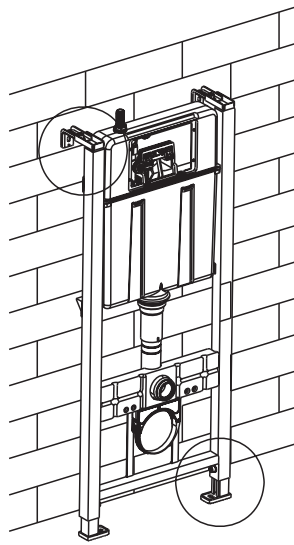
A. 将膨胀胶钉塞进墙体安装孔上，再把固定架装在膨胀胶钉上，调整好位置后套上垫圈，拧紧螺母。

B. 将膨胀胶钉塞进安装孔中，再把可调支架装在膨胀胶钉上，调整好位置后套上垫圈，拧紧螺母。

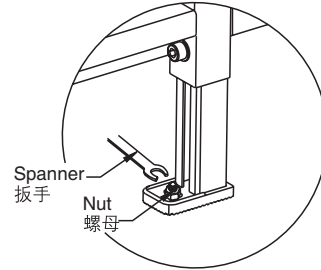


3. Tighten the nut with the spanner as shown in illustration A.
Tighten the nut with the spanner as shown in illustration B.

3. 如图A用扳手拧紧螺母。
如图B用扳手拧紧螺母。



A



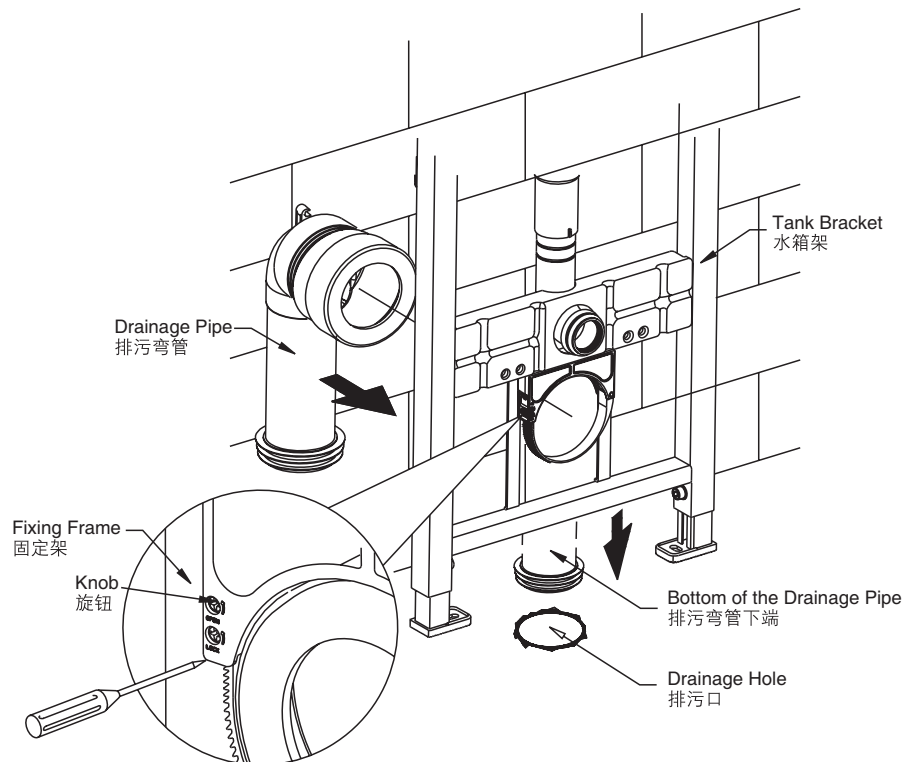
B

B. Installation of S-trap

B. 地排安装方法

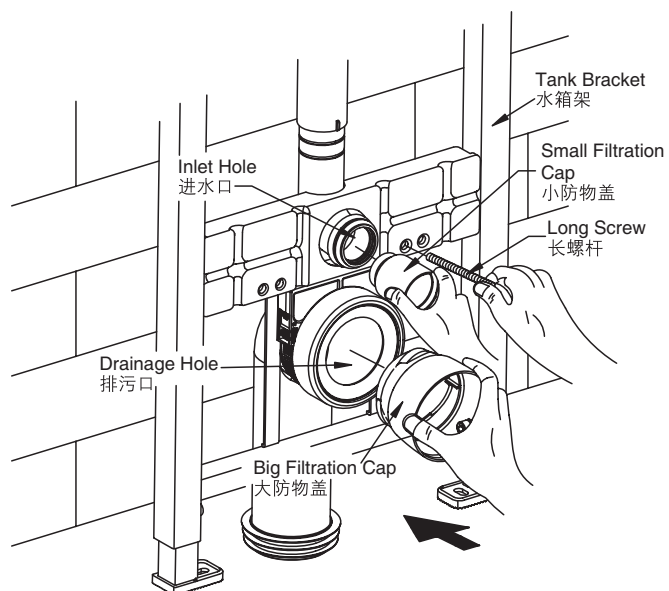
1. Loosen the knob "open" on the fixing frame, put the drainage pipe into the fixing frame, then adjust and tighten the knob "lock". Fill the bottom of the drainage pipe in the drainage hole.

1. 首先把固定架的旋钮“open”旋松，将排污弯管装进固定架上，然后调整好位置后用螺丝刀旋紧“lock”使排污弯管紧固即可。最后再把排污弯管的下端塞进排污口上。



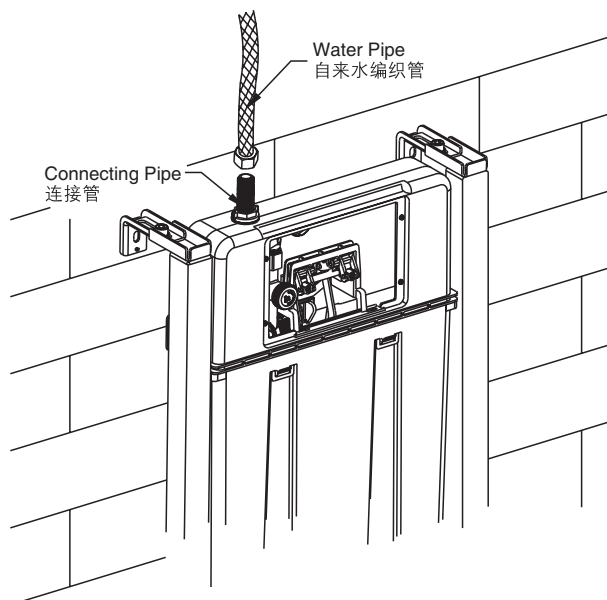
2. Tighten the long screw into the holes of the tank bracket and cover the drainage hole with the big filtration cap, cover the inlet hole with the small filtration cap.

2. 如图将长螺杆旋入水箱架的螺丝孔上，再将大防物盖装在排污口上，小防物盖装在进水口上。



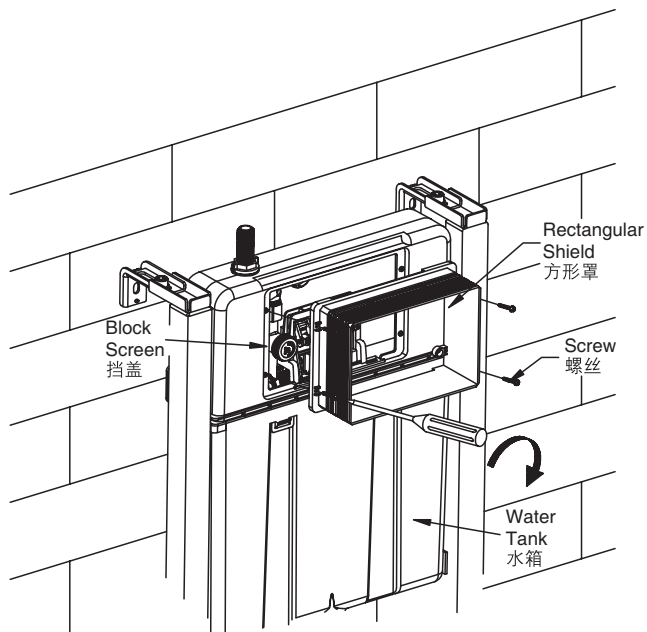
3. Install the water pipe to the connecting pipe on the top of the tank for water supply. (Note: The inlet corner valve should be closed.)

3. 如图所示将自来水编织管装在水箱顶部连接管上供水。(注：进水角阀需为关闭状态)



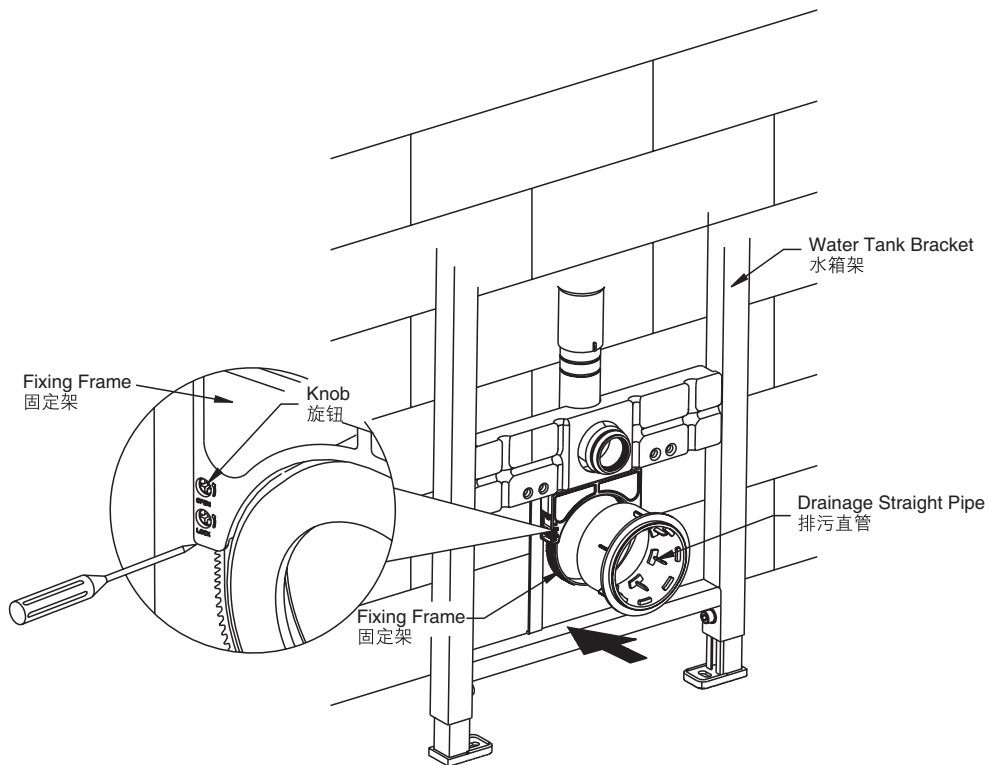
4. Install the rectangular shield in the block screen of the tank, and tighten the screw to fix the rectangular shield to the tank.

4. 如图将方形罩装在水箱的挡盖里，再拧紧螺丝使方形罩紧固在水箱上。



C. Installation of P-trap

1. Loosen the knob "open" on the fixing frame, put the drainage straight pipe into the fixing frame, then adjust and tighten the knob "lock". Fill the bottom of the drainage straight pipe in the drainage hole.

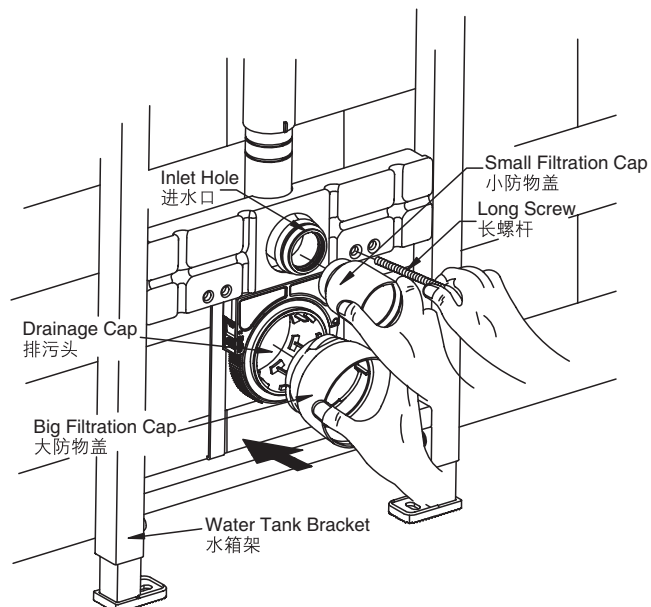


C. 横排安装方法

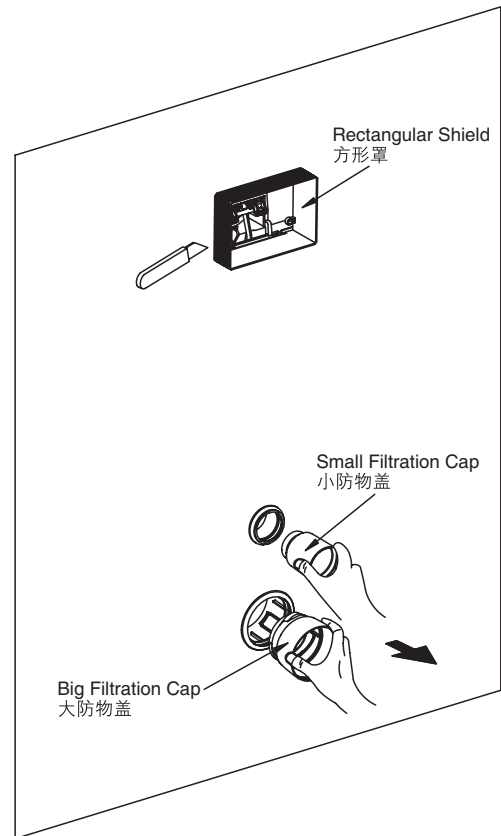
1. 首先把固定架的旋钮“open”旋松，将排污直管塞进固定架上，然后调整好位置后用螺丝刀旋紧“lock”使排污直管固定即可。

2. Tighten the long screw into the holes of the tank bracket and cover the drainage hole with the big filtration cap, cover the inlet hole with the small filtration cap.

2. 如图将长螺杆旋入水箱架的螺丝孔中，再将大防物盖装在排污头上，小防物盖装在进水口上。



- When finishing the brickwork of the wall, take out the big and small filtration caps, and eliminate unwanted rectangular shield with a sharp knife.
- 如图砌完墙后。将大、小防物盖取出，然后用水口刀把方形罩多余的长度锯掉。

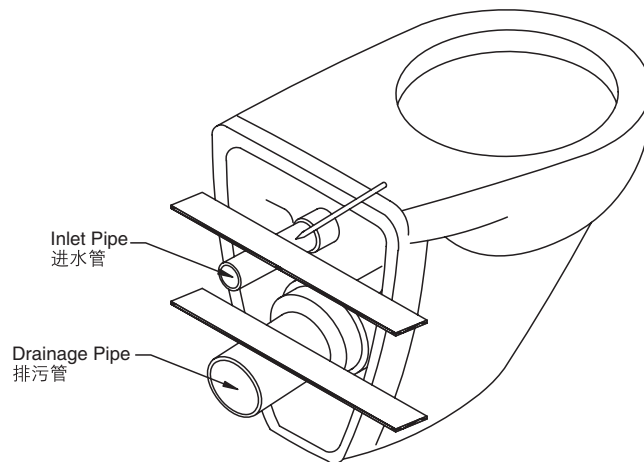


D. Installation of Toilet

- Install the inlet pipe to the lavatory as shown, and mark on the pipes at the back side of the tank with a ruler and a pencil, and reserve appropriate space according to the distance from the back of the tank to the inlet hole on the wall.

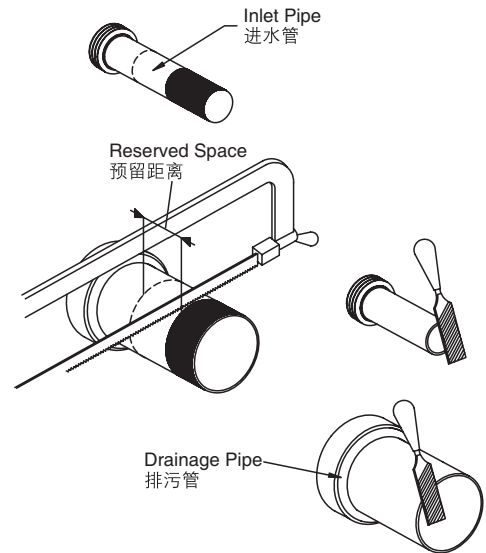
D. 座便器安装方法

- 按图将排污管、进水管装在座便器上，用直尺放在座便器后面的排污管、进水管用铅笔作标记。再根据座便器后面到墙壁排污头的实际情况作预留距离。



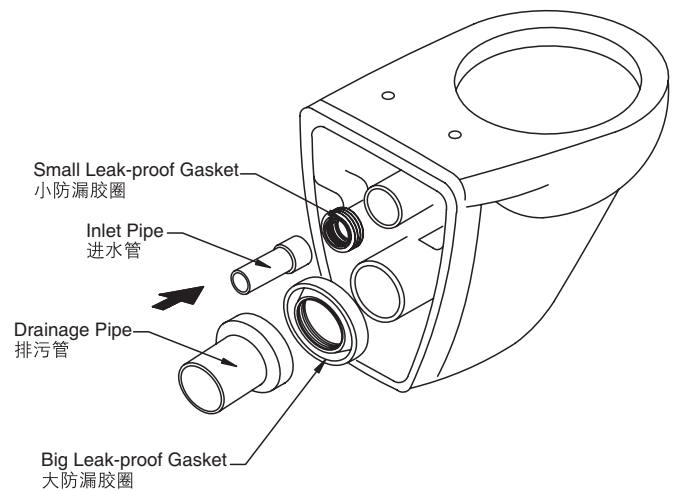
2. Eliminate unwanted part of the inlet pipe according to the marks of reserved space ,and rasp a smooth surface with files.

2. 如图在排污管、进水管已作标记的后端预留的位置上将多余部分锯掉。然后再用锉刀将锯掉的面锉平整并倒角。



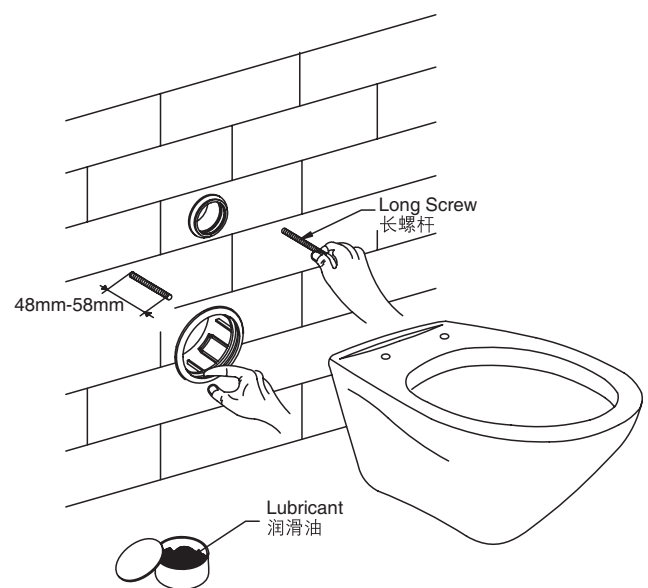
3. Install the big and small leak-proof gaskets on inlet pipe and outlet pipe ,then install it to corresponding pipes on the toilet tank.

3. 如图将座便器的排污管、进水管装上大、小防漏胶圈，然后装在座便器的相对应管道。



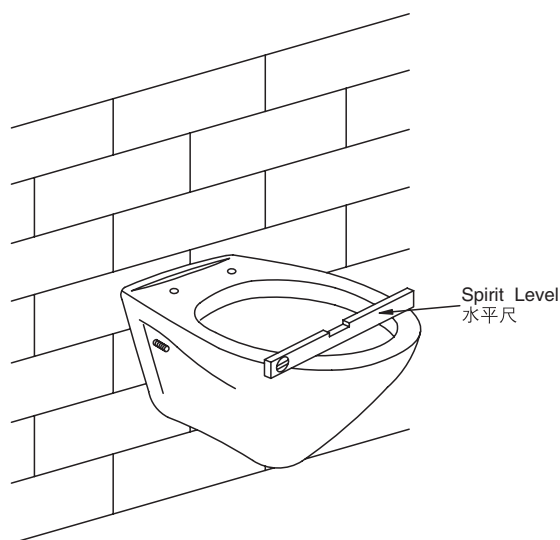
4. 48mm-58mm of the long screw shall be reserved outside the wall as shown in the illustration. if the long screw outside the wall is not long enough or much longer than that needed, it should be adjusted with screwdriver or by hand. Then apply lubricant to drainage pipe and limber pipe to ensure a smooth installation.

4. 如图长螺杆在墙壁上凸出来的尺寸应该保留48mm-58mm。假如长螺杆长度不够或过长就用手或螺丝刀适量调节。然后在排污头、排水孔上涂上润滑油，使排污管、排水管安装顺畅。



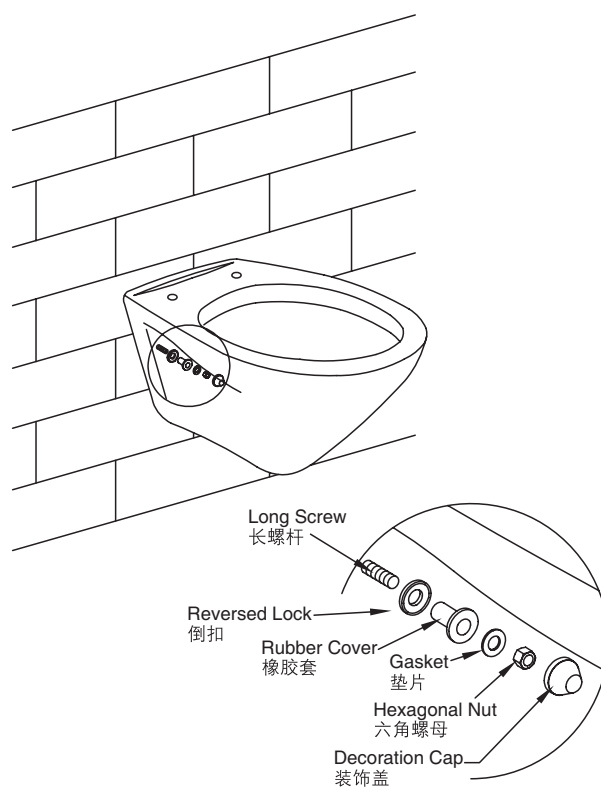
5. Install the toilet as shown in the illustration, and use a spirit level to ensure the lavatory to remain level.

5. 如图将座便器装上，并用水平尺测量座便器是否平衡。



6. Install the reserved lock, rubber cover, gasket, hexagonal nut and decoration cap onto long screw according to the order shown in the illustration.

6. 如图首先将倒扣、橡胶套、垫片套在长螺杆上。然后拧紧六角螺母，最后盖上装饰盖即可。

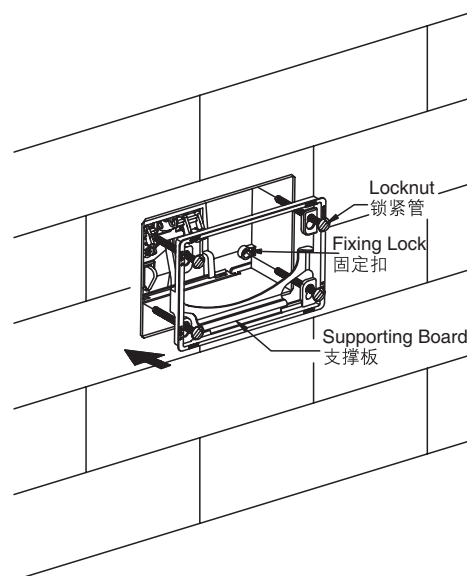


E. Installation of front push button

1. When fixing the supporting board, the locknuts should be directed to the "OPEN" sign.

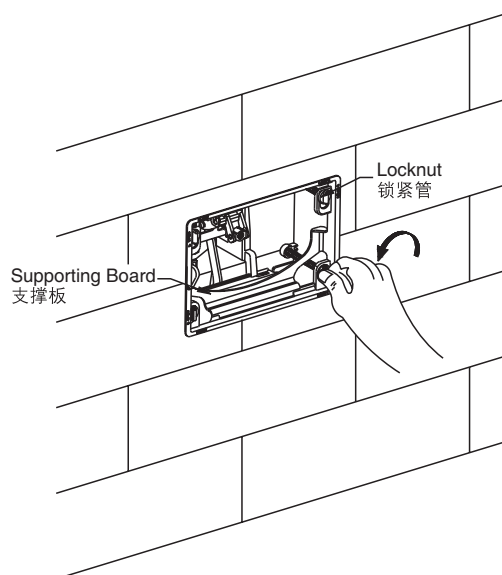
E. 顶按按钮的安装方法

1. 如图将支撑板装上时，把四颗锁紧管调整在标识“OPEN”字样装上。



2. When fixing the supporting board, the locknuts should be screwed to the "LOCK" sign.

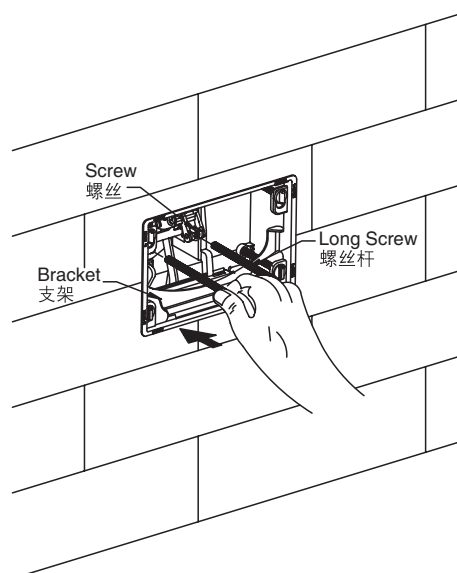
2. 如图将支撑板装好后，把四颗锁紧管旋转到“LOCK”字样即可。



3. Tighten the long screws to the bolt through the hole.

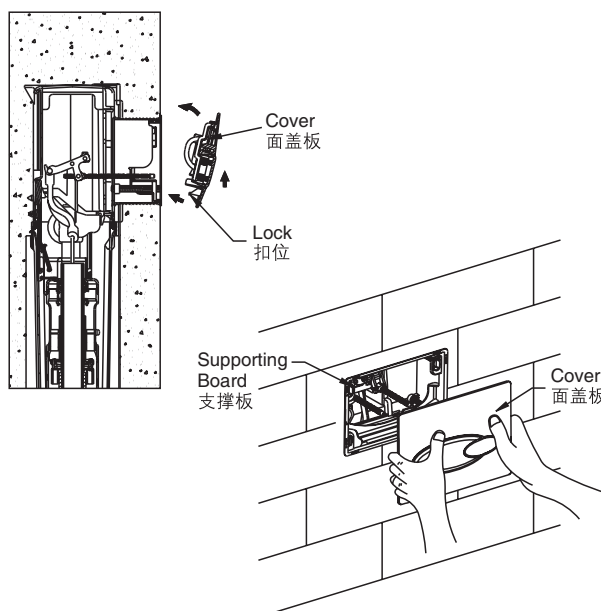
Note: the long screw should be vertical to the wall.

3. 如图把两颗螺丝杆旋进在支架的螺丝上。
注：旋进时螺丝杆尾端要与墙壁垂直。



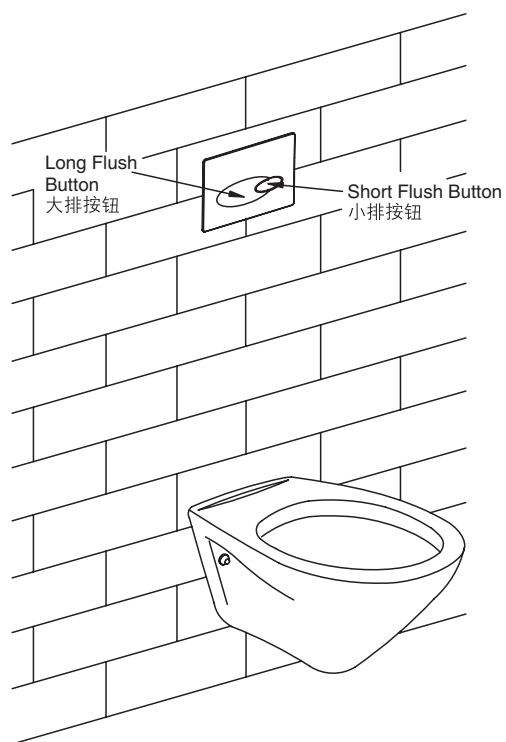
4. Install the cover as shown in the illustration. Put the lock on the cover directly on the reversed lock on supporting board, then push the cover and lock it. The installation shall begin from bottom to top.

4. 如图将面盖板的扣位对准调节板的倒扣。然后用力向上推，再向前扣紧。安装时要注意从下而上安装。



5. In-wall tank toilet is ready to be put into use.

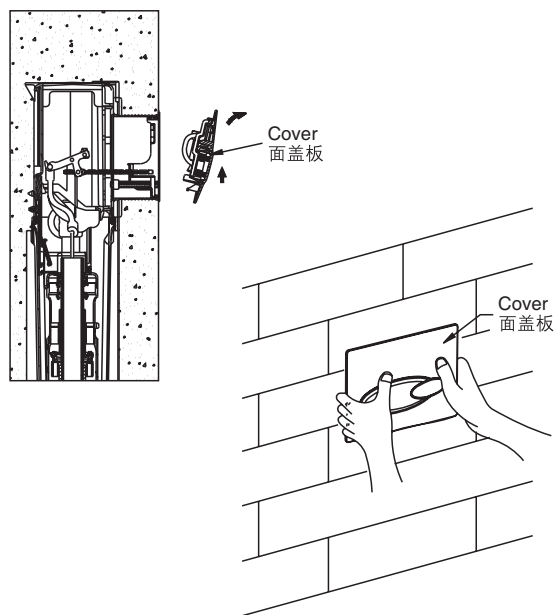
5. 安装完毕可以使用。



REMOVE AND MAINTENANCE OF THE OUTLET VALVE 排水阀拆卸与维护

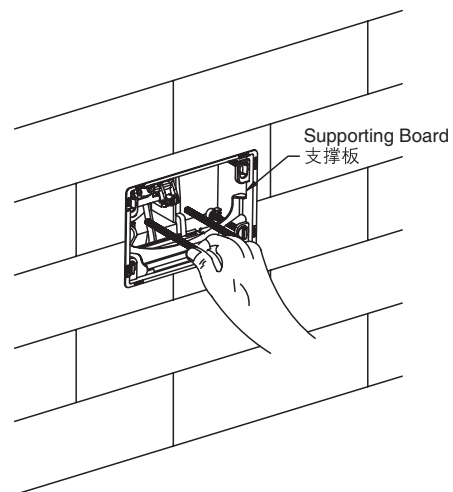
1. Hold the cover with both hands and push upward to take down the cover.

1. 如图拆卸面盖板时，用双手握住面盖板用力向上推就可以打开面盖板。



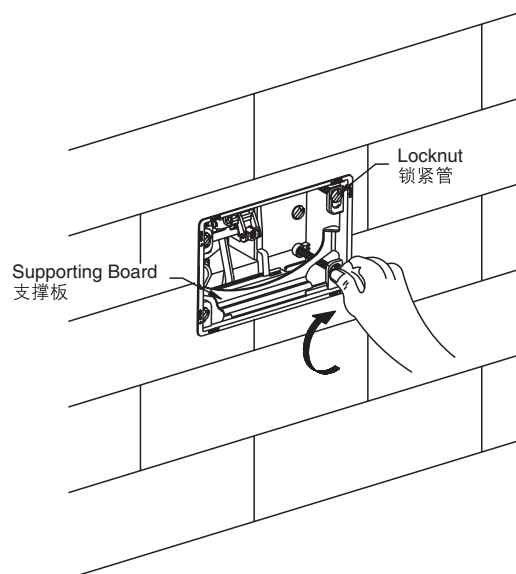
2. Loosen the long screws as shown.

2. 如图把两颗螺丝杆旋出。



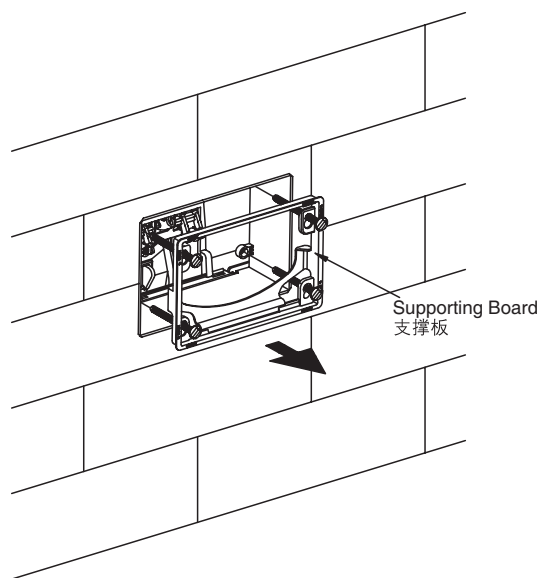
3. Tighten the locknut to the marked position of "OPEN" to take out the supporting board.

3. 如图将支撑板拆卸时注意四颗锁紧管要全部对准“OPEN”字样。



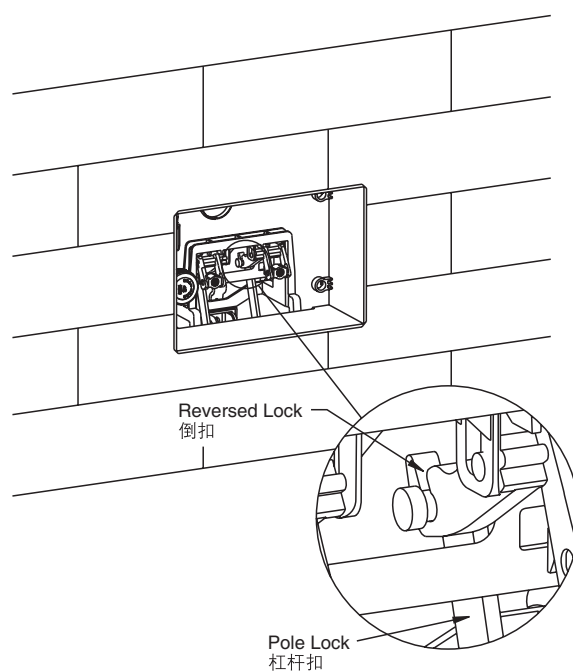
4. Take out the supporting board as shown.

4. 如图拆出支撑板。

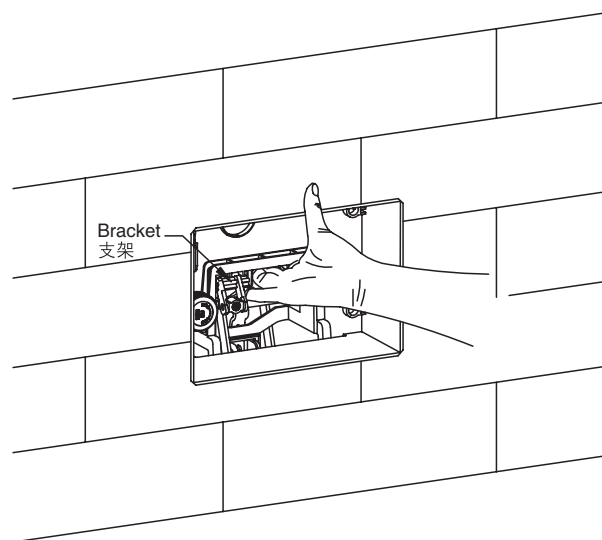


5. Take out the pole lock and the reversed lock as shown.

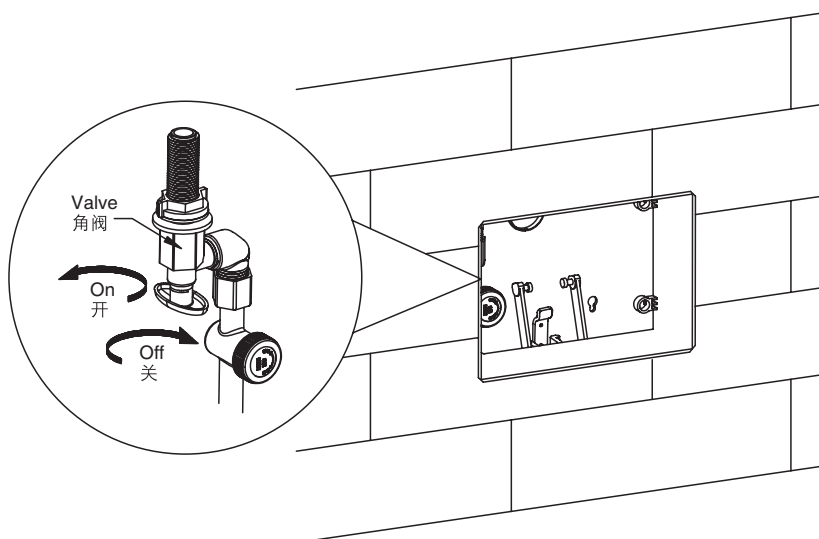
5. 如图将倒扣里的两端排水阀杠杆扣取出。



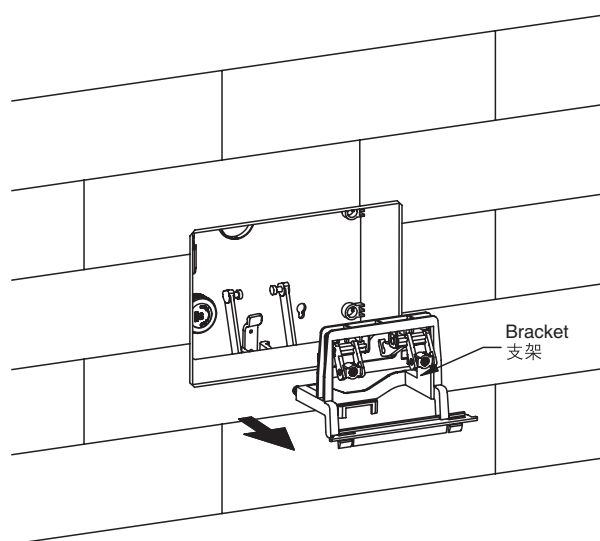
6. Hold the top of the bracket, and unplug the locknut by pulling the bracket.
6. 如图用手握住支架的上端，然后用力向上提拉把支架的锁紧拨开。



7. Turn on/off the water supply
Turn on /off the water supply by turning the valve.
7. 打开或关闭水源
如图旋转角阀的开关可使水源打开或关闭。

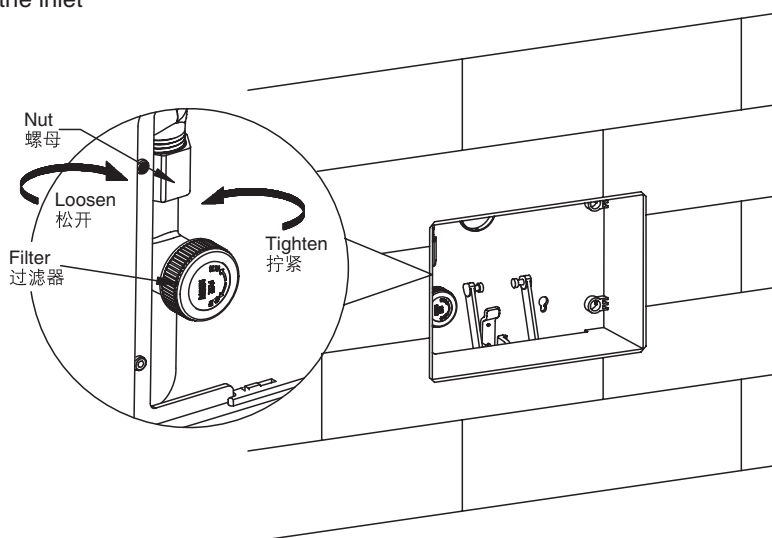


8. Take out the bracket as shown.
8. 如图取出支架。



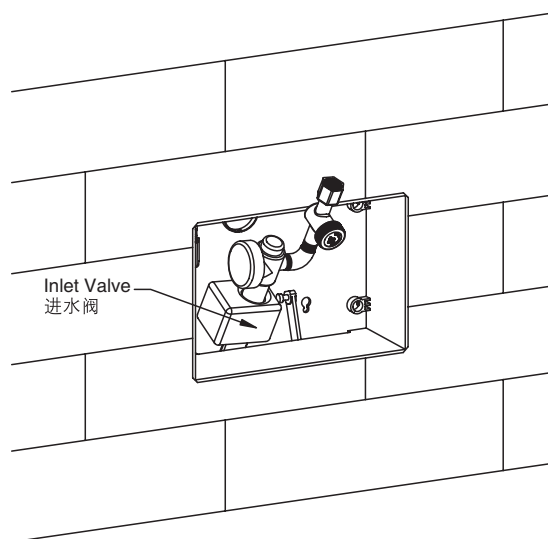
9. Loosen the filter nut as shown, and then take out the inlet valve.

9. 如图把过滤器的螺母旋松，然后取出进水阀。



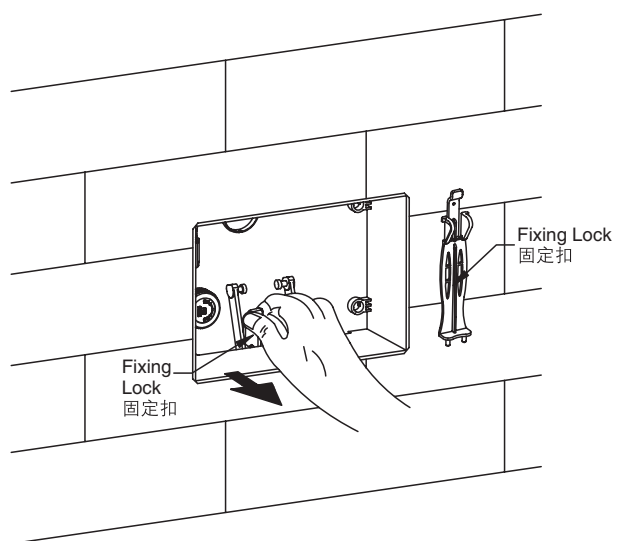
10. Loosen the filter nut as shown and take out the inlet valve to clean or adjust.

10. 如图将过滤器的螺母旋松后，取出进水阀清洁或调节。



11. Hold the upside of the fixing lock, and take it out as shown.

11. 如图用手握住固定扣的上端向箭头方向拨动，然后取出固定扣。

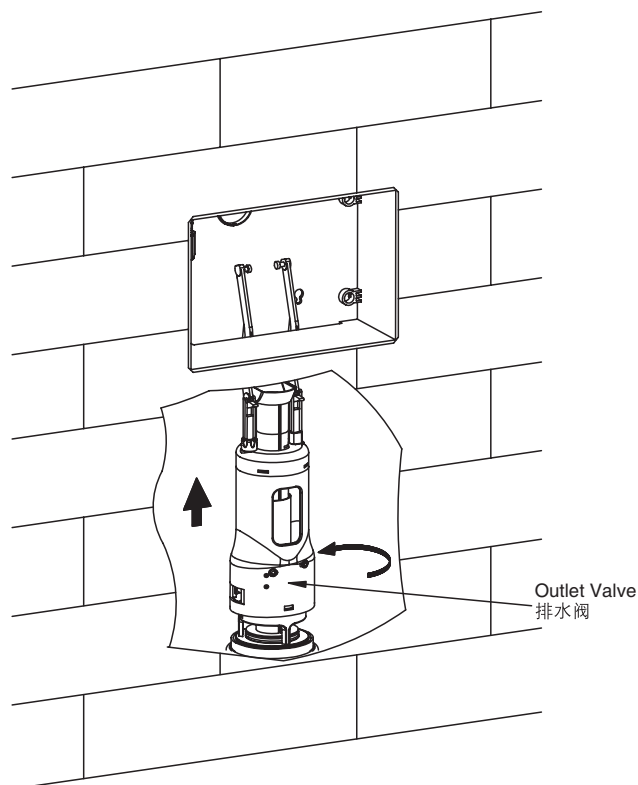


12. Turn the outlet valve as shown and take it out.

Note: A click sound will be heard when the outlet valve is successfully installed or removed.

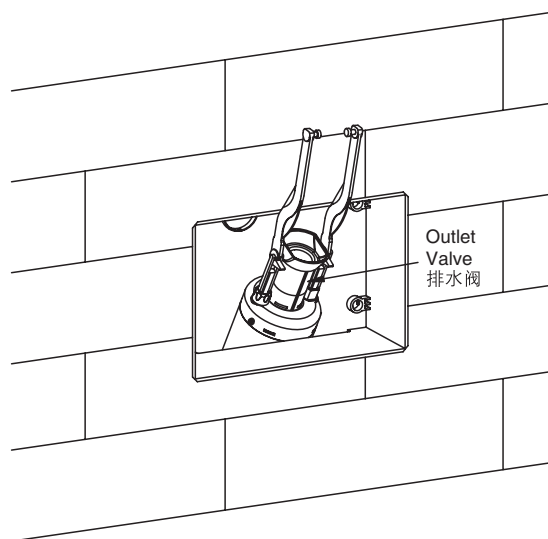
12. 如图将排水阀向箭头方向旋转，可使排水阀取出。

注：安装与拆卸排水阀都听见“咔”一声。



13. Take out the outlet valve as shown for cleaning or adjustment.

13. 如图将排水阀旋松后可取出清洁或调节。

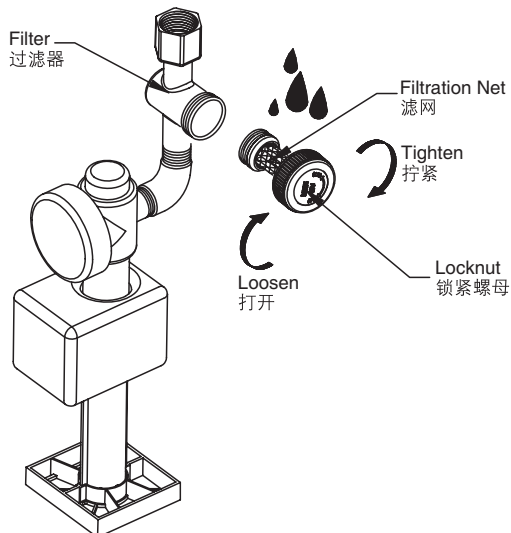


A. Wash Filtration Net

Close corner valve first, then loosen and take out the tighten nut, and wash the waste on filtration net with clean water. then reset the tighten nut to the original position.

A. 清洗过滤器

如图将过滤器的锁紧螺母旋松取出用清水清洗滤网泥沙，然后将锁紧螺母装回原位锁紧即可。

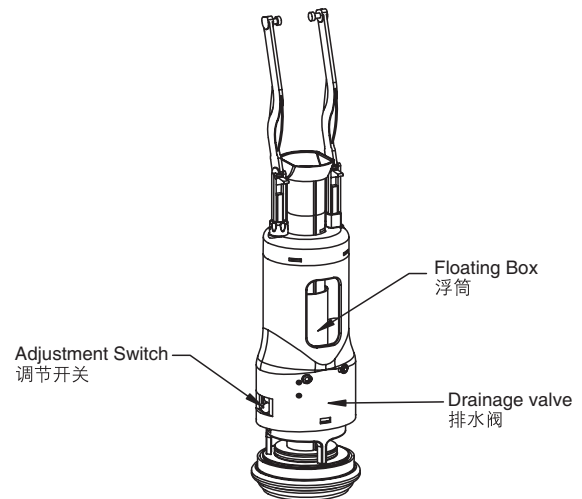


B. Adjust Drainage Valve

Drainage volume and overflow level of the tank can be adjusted by drainage valve:1)heavy drainage adjustment: open adjustment switch to open the small hole.2)slight drainage adjustment: adjust the height of floating box and the water level of slight drainage will be at the bottom of the floating box.

B. 排水阀的调校

如图排水阀可调节水箱排水量大小：(1)大排水调节方法：打开调节开关，使小孔打开。(2)小排水调节方法：调节浮筒高度，小排水水位一般到浮筒底部。

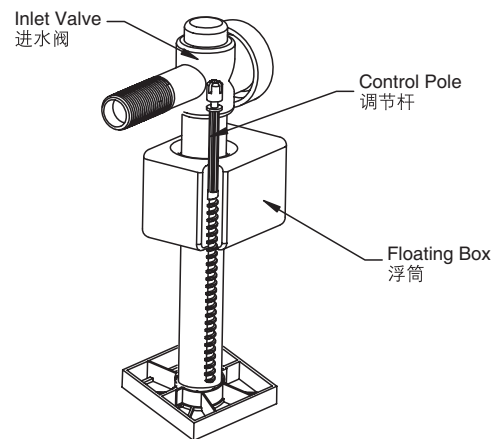


C. Adjust Inlet Valve

Hoist and reduce the water level in the tank by adjusting the control pole. Turn the control pole counterclockwise to lower down the floating box and reduce the water level of the tank .turn the control pole clockwise to hoist the floating box and increase the water level in the tank.

C. 进水阀的调校

如图调校调节杆可以使水箱水位升高或降低。当逆时针旋转调节杆时，浮筒下降，水箱水位就低。顺时针旋转调节杆使浮筒上升，水箱水位高。



TROUBLE SHOOTING PROCEDURES 故障排除

Symptoms	Probable Causes	Recommended Action
No water fills in via inlet valve	The inlet valve is closed.	Open inlet valve (refer to page 13).
	Floating box of inlet valve is blocked by other parts.	Readjust the position of other parts to avoid contacting the floating box when it is functioning (refer to page 16).
	Floating box of inlet valve is block by waste.	Wash the floating box with clean water.
No drainage when pressing the heavy and slight drainage button	The adjustable board and the long screw are wrongly installed.	Reinstall the long screw (refer to page 10).
	The pole and the reversed lock are not connected.	Reinstall the reversed lock onto the pole of the outlet valve (refer to page 12).
Too high or too low water level	The floating box of the inlet valve is not properly adjusted.	Readjust the water level (refer to page 16).
Leak of the toilet and squat	The floating box of the inlet valve is blocked by wastes, so the water is leaked from the overflow pipe.	Readjust the position of other parts to avoid contacting the floating box when it is functioning (refer to page 16).
	The rubber gasket is blocked by wastes.	Take out the outlet valve and clean the wastes.

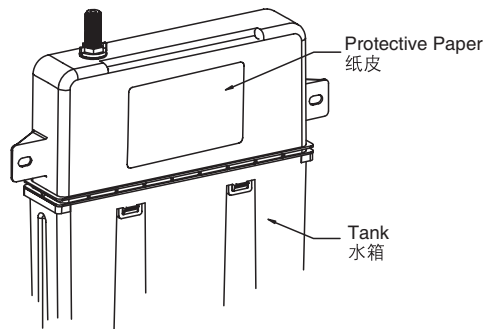
现象	原因	排除方法
进水阀不进水	进水角阀没有打开。	把进水角阀打开(参照13页)。
	进水阀的浮筒被其它零件挡住。	调整其它零件切勿与浮筒工作时位置接触(参照16页)。
	进水阀的浮筒被杂物粘住。	用水清洗干净浮筒。
按下大、小排按钮时不排水	调节板与螺丝杆安装错误。	重新安装螺丝杆(参照10页)。
	排水阀的杠杆扣与倒扣没接上。	重新安装倒扣在排水阀杠杆扣上(参照12页)。
水位太高或太低	进水阀的浮筒没有调整好。	重新调整水位(参照16页)。
座便器漏水	水箱进水时进水阀的浮筒有杂物挡住，止不住水。水从排水阀溢水管漏水。	调整其它零件切勿与浮筒工作时位置接触(参照16页)。
	封水片有杂物。	取出排水阀清洗封水片的杂物。

INSTALL THE BREAK WATER BOARD

挡水板的安装说明

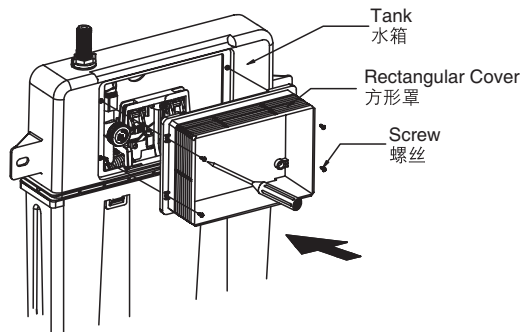
1. Tear the protective paper.

1. 如图首先把水箱里的纸皮撕开。



2. Fix the rectangular cover into the covering board of the tank. Tighten the four screws to firm the rectangular cover.

2. 如图将方形罩装在水箱的安装孔里，再拧紧四颗螺丝使方形罩紧固在水箱上。



3. Push slot A and slot B of the break water board forward and then insert into the detent.

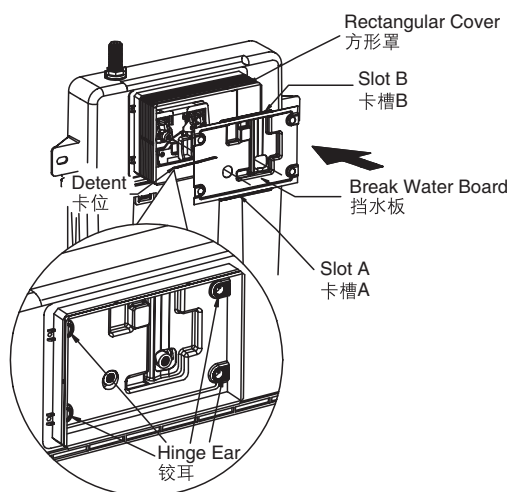
3. 如图首先将挡水板的卡槽A、B向前推动插在方形罩里面的卡位上即可。

Tip 1: When installing the break water board, please make sure the slot is align with the detent.

提示1：安装挡水板时注意挡水板卡槽的位置是否对上卡位。

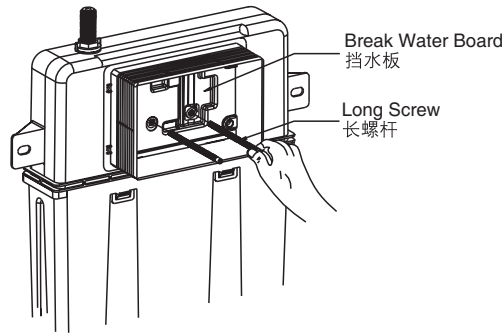
Tip 2: After the break water board is installed, please make sure hinge ears are on the bottom.

提示2：挡水板完整安装后的铰耳是在挡水板的表面下层。



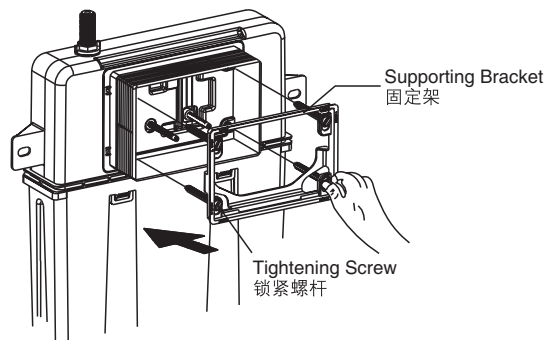
4. Insert the long screw through the hole on the break water board, and then tighten it.

4. 如图将长螺杆穿过挡水板的小孔，然后拧紧在螺丝上即可。



5. Screw the tightening screw to the "OPEN" position. Fix the supporting bracket in the arrow direction.

5. 如图首先将锁紧螺杆旋转到“OPEN”标记上。然后把固定架向箭头方向装上即可。



6. Adjust the supporting bracket to a proper position. Screw the tightening screw to the "CLOSE" position.

6. 如图装上固定架后，然后调整至合适位置后旋转锁紧螺杆到“LOCK”标记上即可。

