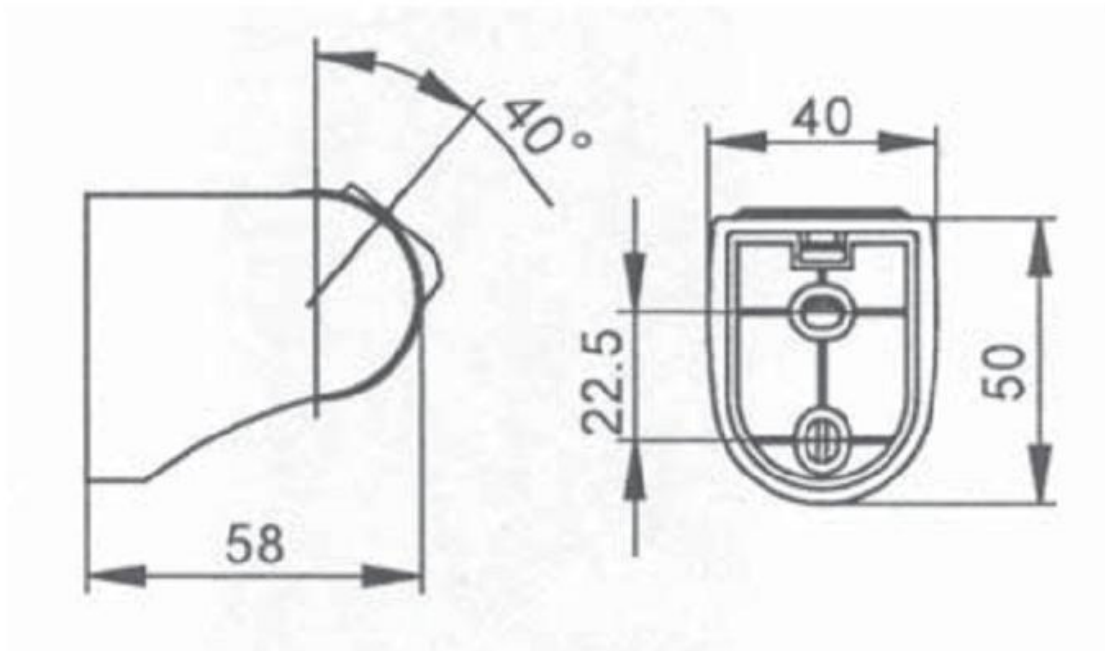


Product Specification:

Model	Finish
K-9040T	CP RGD

Product Dimension:



K-9040T

Please note that the above information are subject to change without notice.