

BEFORE YOU BEGIN

- Please read these instructions carefully to familiarize yourself with the required tools, materials, and installation sequences. Follow the sections that pertain to your particular installation. This will help you avoid costly mistakes. In addition to proper installation, read all operating and safety instructions.
- All information in these instructions is based upon the latest product information available at the time of publication. Kohler China reserves the right to make changes in product characteristics, packaging, or availability at any time without notice.
- These instructions contain important care, cleaning, and warranty information - **please leave instructions for the consumer.**

安装之前

- 请小心详阅本指引。以便熟悉所需工具、材料及安装程序。请遵照适用的章节来安装你的座便器，以避免由于安装不当而导致不必要的损失。除了有关正确的安装方法之外，还务请详阅所有操作及安全指引。
- 本指引所载之一切资料，均以印刷时所有之最新产品情况为基础，科勒中国保留权利随时更改产品特性、包装或供应情况，恕不另行通知。
- 本指引也包含了有关护理、清洁及保养等重要资料 - 请交予用户保存。

ORDERING INFORMATION

PANACHE Floor Standing Toilet	K-9154T
Includes PANACHE Bowl	K-18154A
Includes PANACHE® Toilet Seat	K-4760T
Includes P-Trap	1036901
PANACHE Floor Standing Toilet	K-9154T-S
Includes PANACHE Bowl	K-18154A
Includes PANACHE® Quiet-close Toilet Seat	K-17674T
Includes P-Trap	1036901

Can match with K-6286T in-wall tank .

订购信息

帕纳奇落地式座便器	K-9154T
含帕纳奇缸体	K-18154A
含帕纳奇欧款座便器盖板	K-4760T
含墙排水排污管	1036901
帕纳奇落地式座便器	K-9154T-S
含帕纳奇缸体	K-18154A
含帕纳奇欧款缓降座便器盖板	K-17674T
含墙排水排污管	1036901

可适配K-6286T入墙式水箱。

NOTES

- Observe all local plumbing and building codes.
- Shut off the water supply.
- 51mm (2") passageway.
- Ensure that the new drain has the correct roughing-in dimension.
- Carefully inspect the new fixture for any sign of damage.
- For new construction, refer to the dimensions in **Fig. #1** for locating the shut-off valve.
- Fixture dimensions are nominal and conform to tolerances established by ASME Standards (A112.19.2-2013).
- The product complies with GB 6952-2015.

注意

- 遵守当地所有给排水及建筑规定。
- 先关掉水源。
- 51mm排污通道。
- 请确保污水管的坑距尺寸正确。
- 小心检验新的座便器是否有损坏的迹象。
- 若为新安装工程，请参看图1的尺寸指示以找出止水阀。
- 部件尺寸为标定值，误差符合美国ASME标准(A112.19.2-2013)。
- 本产品符合GB 6952-2015。

No.2 KOHLER ROAD, SANSHUI CENTRAL INDUSTRIAL PARK, LEPING TOWN, SANSHUI DIST., FOSHAN, GUANGDONG, PRC POST CODE 528137
广东省佛山市三水区乐平镇三水中心工业园区科勒大道2号 邮编: 528137

8# MENGSHAN RD, ECONOMIC DEVELOPMENT ZONE OF HUANTAI, ZIBO, SHANDONG, CHINA POST CODE: 256410
山东省淄博市桓台经济开发区蒙山路8号 邮编: 256410

WARNING: Risk of personal injury or product damage: Handle vitreous china products very carefully. Vitreous china can break and chip if you overtighten bolts and nuts.

警告: 提防身体受伤或产品破裂。请小心处理釉面陶瓷产品。不可把螺母和螺栓上得过紧, 以免产品破损或崩裂。

WARNING: Risk of external leakage. The fill valve nut has been factory-tightened to design specifications. If re-tightening is required, wrench tighten one turn past finger tight.

警告: 有向外渗漏之危险。注水阀螺母在出厂时已上紧以符合设计规格, 如需再上紧, 可用手上紧后再以板钳上紧一圈。

TOOLS AND MATERIALS REQUIRED (NOT SUPPLIED)

所需工具及材料 (不随货供应)

- 254mm (10") adjustable wrench
- 305mm (12") pipe wrench
- Tape measure
- Level
- Drill (10mm. Drill bit)
- Screwdriver
- Plastic connector (Supplied)
- Toilet installation bolt (Supplied)
- S-TRAP 1206391(Optional)/P-TRAP 1036901 (Supplied)

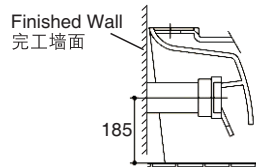
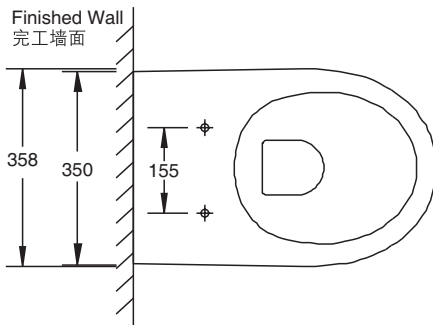
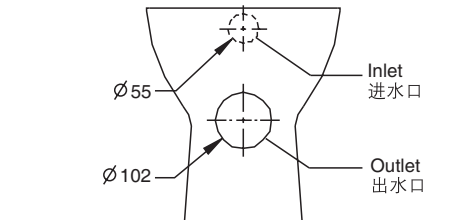
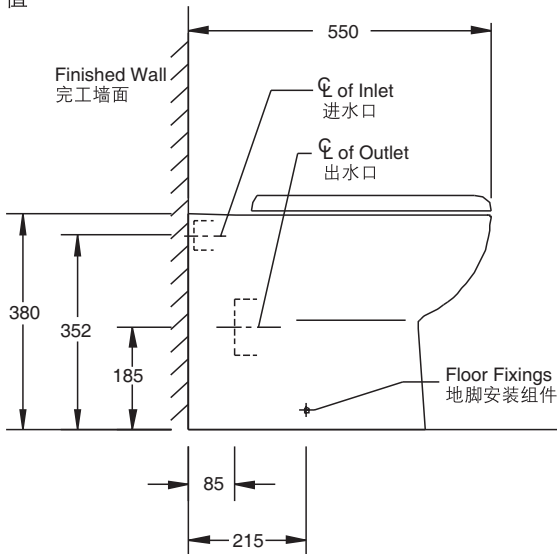
- 254毫米活动板钳
- 305毫米喉管板钳
- 卷尺
- 水平尺
- 电钻(钻头直径10mm)
- 螺丝刀
- 塑料联结件(已提供)
- 座便器安装螺栓(已提供)
- S弯管1206391(选配)/P弯管1036901(已提供)

ROUGHING-IN

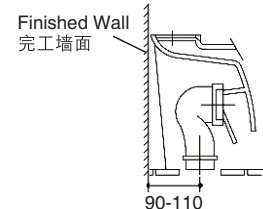
尺寸图

Reference Value
参考值

UNIT: mm
单位: 毫米



1036901
P-Trap
墙排水



1206391
S-Trap(Optional)
地排水(选配)

Fig.#1
图1

Kohler reserves the right to change marked dimensions without prior notice.
科勒公司保留随时变更图中标示尺寸的权利, 无需另行通知。

INSTALL THE BOWL

安装座便器

1. Put the bowl in position and mark a line along the back of the bowl.
2. Place the template on the floor, align to the pencil line and secure to the floor.
3. Drill the fixing holes with a 10 mm drill as indicated on the template.
4. Fit the clamps to the floor with the floor plugs, washers and nuts.
5. Position the bowl and install the soil pipe in accordance with the manufacturer's instructions.

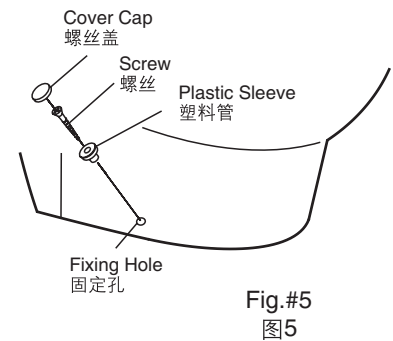
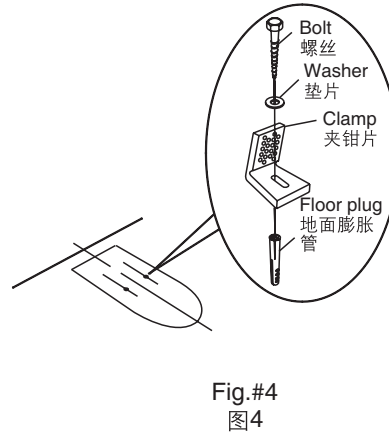
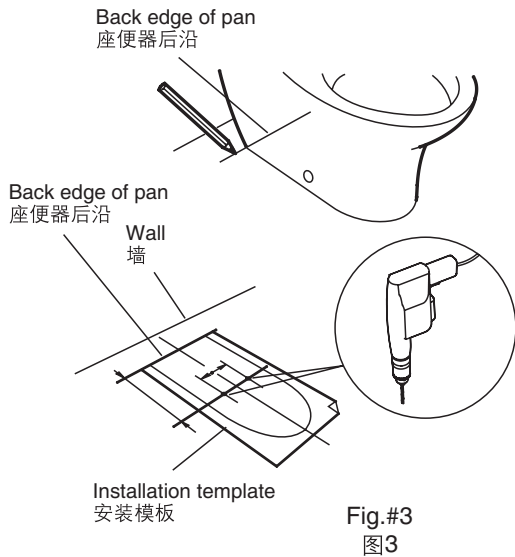
Note! An inlet isolating valve must be installed to the bowl.

6. Connect the inlet water supply to the bowl.
7. Secure the bowl in position with the plastic sleeve and the screw. Fit the plastic cover cap.

1. 将座便器放置到位，在座便器后部划线。
2. 将模板置于地上，使之与铅笔线吻合，固定于地面。
3. 如图所示，用10mm电钻在模板上钻固定孔。
4. 用地面膨胀管、垫片、螺母将支架固定在地面。
5. 固定座便器，根据制造商说明书安装粪管。

注意！与阀门隔离的进口必须被安装到座便器上。

6. 把进水管入口和座便器连接起来。
7. 用塑料套管和螺丝固定座便器。盖上塑料螺丝盖。



IMPORTANT CONSUMER INFORMATION 用户须知

CONSUMER RESPONSIBILITIES

If you live in a hard water area, make certain that the holes in the toilet rim are kept clean to ensure proper bowl flushing. Toilet bowl cleaners should be used at least once a week. Use a long-handled brush to clean the rim holes, and to clean as far into the trap as possible to prevent mineral deposits from forming.

Most toilet bowl cleaners are not harmful to the vitreous china surface of the toilet bowl. Please follow the bowl cleaner manufacturer's instructions carefully.

Do not use abrasive cleaners or solvents.



WARNING: Risk of property or product damage.

Do not use in-tank cleaners. Products containing chlorine (calcium hypochlorite) can seriously damage fittings in the tank. This damage can cause leakage and property damage.

Kohler Company shall not be responsible or liable for any damage to these tank fittings caused by the use of cleaners containing chlorine (calcium hypochlorite).



WARNING: Risk of product damage.

Do not throw into the toilet what is easy to block it, such as newspaper, paper pilch, sanitary towel. Do not bump the vitreous china with great force to prevent it from damaging and leaking. Do not use the toilet in the water below 0°C.



CAUTION: Please do not use hard materials (like scouring pad) to clean product surface, especially the product logo.

用户责任

如果你居住地方的水质是硬性，你必须保持冲水孔清洁，令座便器冲水正常。每星期应最少使用座便器清洁剂清洁一次，用长把手的刷子清洁冲水孔，并尽量伸入排污管洗刷，防止矿物质积聚。

大多数马桶清洁剂对座便器表面是无害的。请认真遵循马桶清洁剂制造商的指示来操作。

请勿使用腐蚀性清洁剂或溶剂。



警告：提防楼宇受损或损坏产品。请勿使用水箱内用清洁剂。含氯（次氯酸钙）的清洁剂会严重破坏水箱配件，从而引起渗漏，或对楼宇结构造成损坏。

科勒公司对此类因使用氯(次氯酸钙)而引致的水箱装置损毁，概不负责。



警告：提防损坏产品。请不要向便器内冲入新闻纸、纸尿裤、妇用卫生巾等容易堵塞的物品。请不要用重力撞击陶瓷，以防止破损漏水。

不要在0°C以下水的环境中使用。



警告：请勿使用钢丝球等硬质材料擦洗产品表面，特别是产品商标处。