



GUARD+®

60" x 42" shower base, center drain
95081

Features

- Low-threshold design for easy entry and exit
- Full-length water-containment guard and weep channels redirect water into the base, providing four-sided water containment
- Single threshold for alcove installation
- Molded-in textured floor
- Three-sided integral flange

Material

- Acrylic

Installation

- Center drain
- Alcove
- Tile-down installation only

Recommended Products/Accessories

K-9132 Shower Drain
K-23726 Drain treatment



Codes/Standards

CSA B45.5/IAPMO Z124
ASTM E162
ASTM E662

STERLING® Vikrell® or Acrylic Baths and Shower Bases Ten-Year Limited Warranty

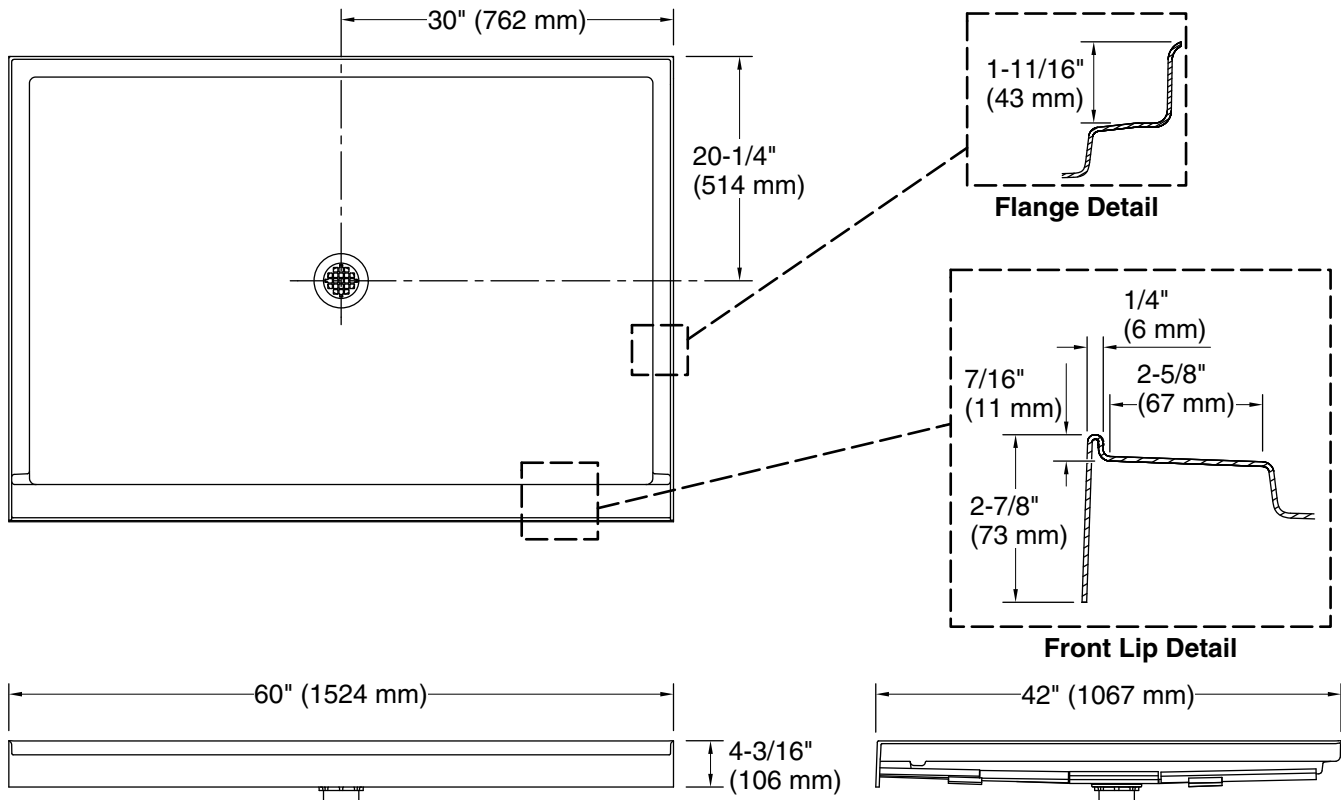
See website for detailed warranty information.

Available Colors/Finishes

Color tiles intended for reference only.

Color	Code	Description
-------	------	-------------

	0	White
---	---	-------



Technical Information

All product dimensions are nominal.

- Drain location: Center
- Weight: 56.2 lbs (25.5 kg)
- Minimum flat for door: 2-5/8" (67 mm)

Notes

- Install this product according to the installation instructions.
- Subfloor must be within 1/2" (13 mm) of level.
- This receptor has a front lip. This should be taken into account when installing a shower door.
- Measure your actual product for rough-in details. If roughing-in prior to having product, stud opening to be 1/2" (12.7 mm) larger than product dimension.