



Spectacle™

60-1/4" x 32-1/4" freestanding bath
95333

Features

- Freestanding design creates a striking focal point in your bathing area
- Oval basin creates a spacious bathing experience
- Center offset toe-tap drain
- 17-1/4" (438 mm) depth offers a deep soaking experience
- Integral lumbar support on both ends
- Wide ledge on one side is ideal for deck-mount faucet and/or handshower
- Textured bottom surface
- Integral overflow

Material

- Acrylic

Recommended Products/Accessories

K-23726 Drain treatment



Codes/Standards

CSA B45.5/IAPMO Z124

ASTM E162

ASTM E662


STERLING® Vikrell® or Acrylic Baths and Shower Bases Ten-Year Limited Warranty

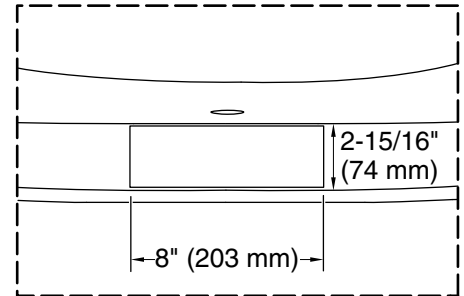
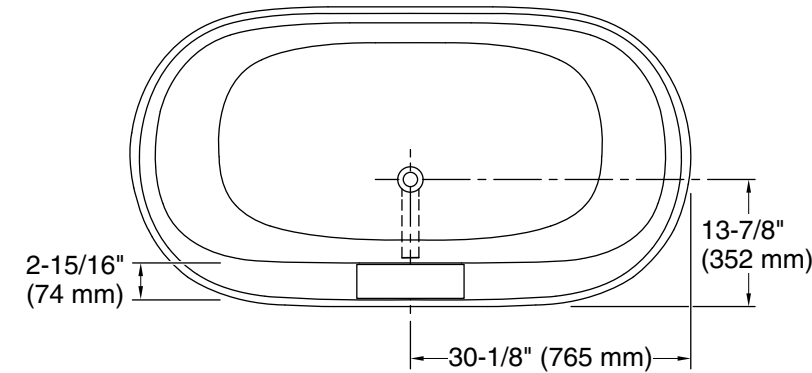
See website for detailed warranty information.

Available Colors/Finishes

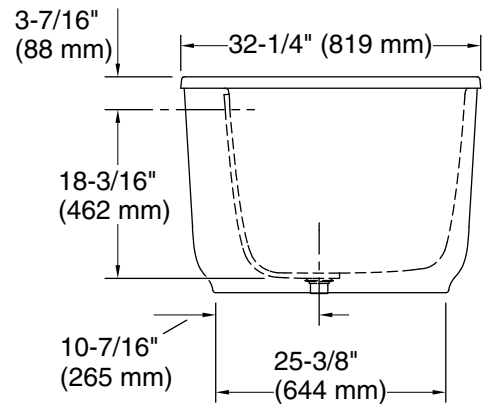
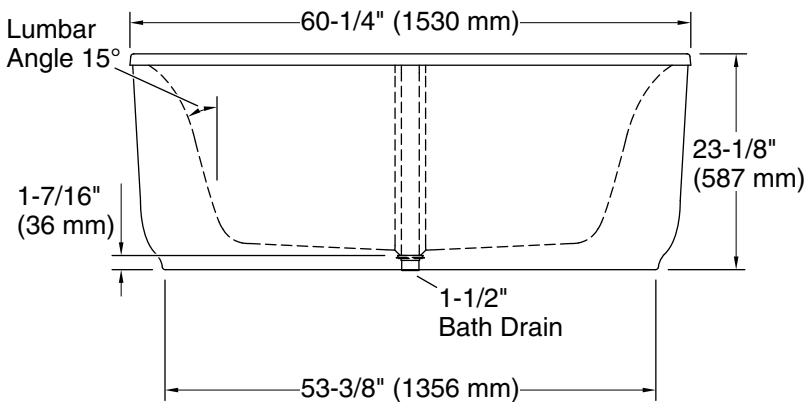
Color tiles intended for reference only.

Color	Code	Description
-------	------	-------------

	0	White
---	---	-------



Recommended Faucet Area Location



Technical Information

All product dimensions are nominal.

Drain location:	Center
Basin area, bottom:	39-3/16" x 20-1/4" (995 mm x 514 mm)
Basin area, top:	53-9/16" x 24-3/4" (1361 mm x 629 mm)
Weight:	90 lbs (40.8 kg)
Water depth:	17-1/4" (438 mm)
Water capacity:	65 gal (246.1 L)

Notes

Install this product according to the installation instructions.

Measure your actual product for rough-in details.

The hot water supply should be 70% of the capacity of the bath or greater. Installations will vary.

This bath is designed for freestanding installation only.

If installing a rim-mount faucet, make sure there is no interference above or below the deck before drilling any holes.