



Unwind®

59" x 30" freestanding bath
96129

Features

- Freestanding design creates a striking focal point in your bathing area
- Oval basin creates a spacious bathing experience
- Center toe-tap drain
- Integral lumbar support on both ends
- Integral overflow
- 4.5" drain-to-floor clearance for above-floor drain installation

Material

- Acrylic

Installation

- Freestanding
- Above-floor-drain (AFD) rough-in
- Concealed adjustable legs make leveling during installation easy

Included Components

1381626-0 Drain Assembly, White



Codes/Standards

CSA B45.5/IAPMO Z124
ASTM E162
ASTM E662


STERLING® Vikrell® or Acrylic Baths and Shower Bases Ten-Year Limited Warranty

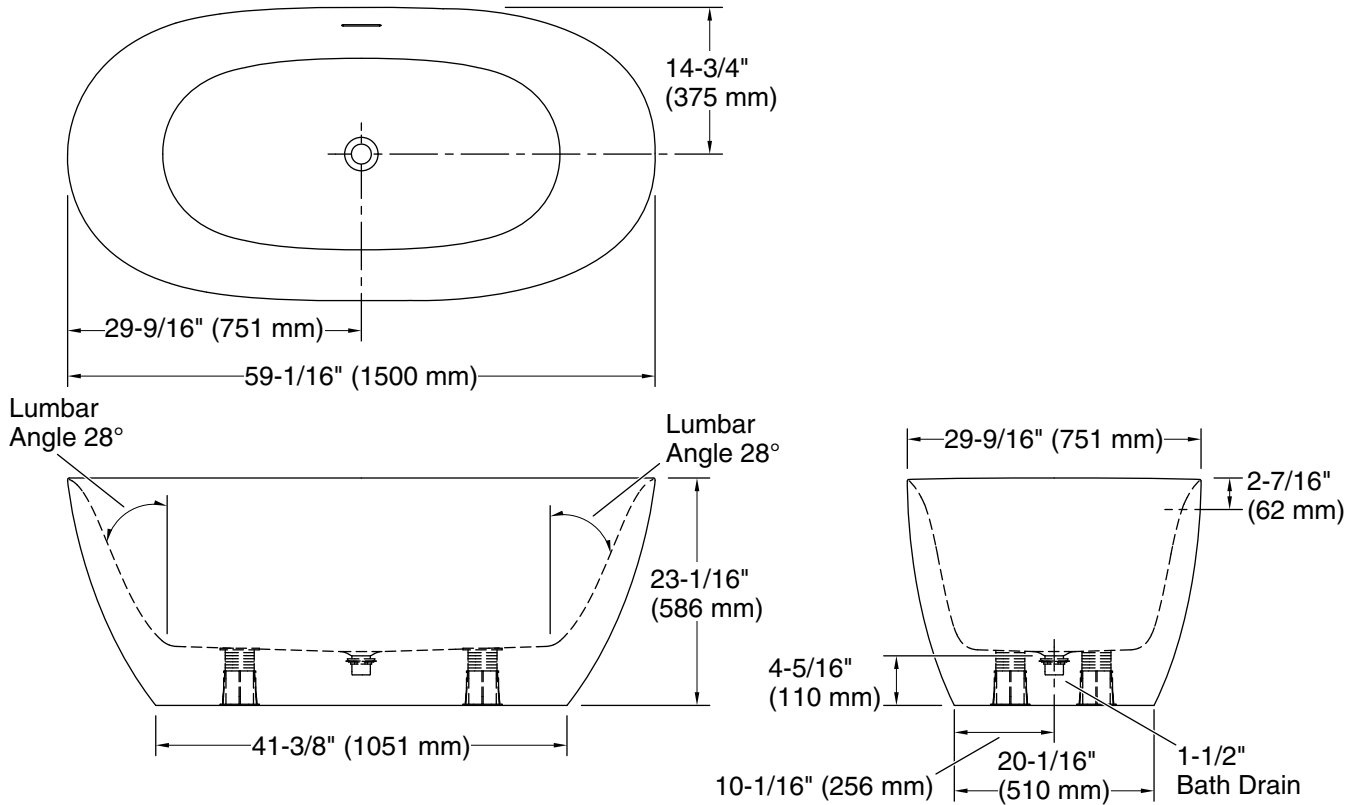
See website for detailed warranty information.

Available Colors/Finishes

Color tiles intended for reference only.

Color	Code	Description
-------	------	-------------

	0	White
-------------------------------------------------------------------------------------	---	-------



Technical Information

All product dimensions are nominal.

Drain location:	Center
Basin area, bottom:	37-1/8" x 15-5/16" (944 mm x 389 mm)
Basin area, top:	59-1/16" x 29-1/2" (1500 mm x 750 mm)
Weight:	86 lbs (39 kg)
Water depth:	14-11/16" (373 mm)
Water capacity:	46.87 gal (177.4 L)
Template:	Footprint, 1451117-7, not required, not included

Notes

- Install this product according to the installation instructions.
- Measure your actual product for roughing-in details.
- The hot water supply should be 70% of the capacity of the bath or greater. Installations will vary.
- Do not support the load weight of the bath by the rim.