

Features

- Metal construction
- Durable KOHLER finishes resist corrosion and tarnishing
- Extended, lift and turn lever handle
- Line-matched faucets and accessories available
- Easy, sealant-free installation
- Leak-free ceramic disc valve with lifetime warranty

MODULO RECESSED TRIM AND VALVE K-97366T ALSO K-97365T



Codes/Standards Applicable

- GB 18145-2014
- EN 817-2008
- ASME A112.18.1-2012

Installation Notes

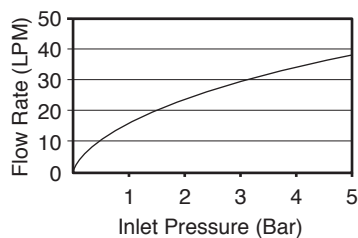
Install this product according to the installation guide.

Specified Model

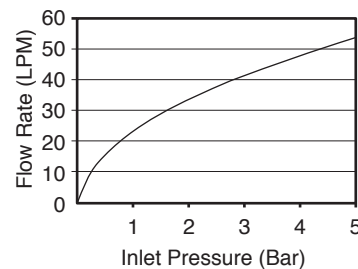
Model	Description	Color/Finished	
K-97366T-4	Avid Modulo Recessed Bath Shower Trim and Valve	<input type="checkbox"/> Polished Chrome (CP)	<input type="checkbox"/> Titanium (TT)
K-97365T-4	Avid Modulo Recessed Shower Only Trim and Valve	<input type="checkbox"/> Polished Chrome (CP)	<input type="checkbox"/> Titanium (TT)

For a full range of color finishes in your market please contact your local Kohler representative.

Required Accessories			
K-98699T-NA	Modulo Universal Box	<input type="checkbox"/> NA	



Flow Curve - K-97366

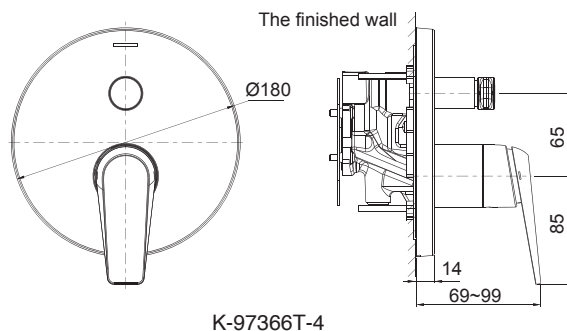


Flow Curve - K-97365

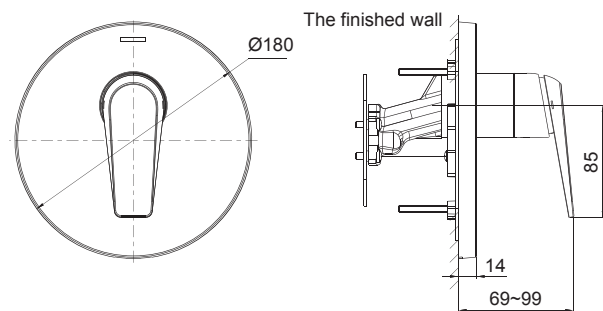
Note: Flow rates are approximate. (1 gallon = 3.785 liters, 1 bar = 14.5 psi)

Dimensions are approximate.

Unit: mm



K-97366T-4



K-97365T-4

Product Diagram