

Avid/Composed Double Towel Rail

97496T

Product Description: Avid/Composed double towel rail 610mm

Colour/Finish: Polished Chrome

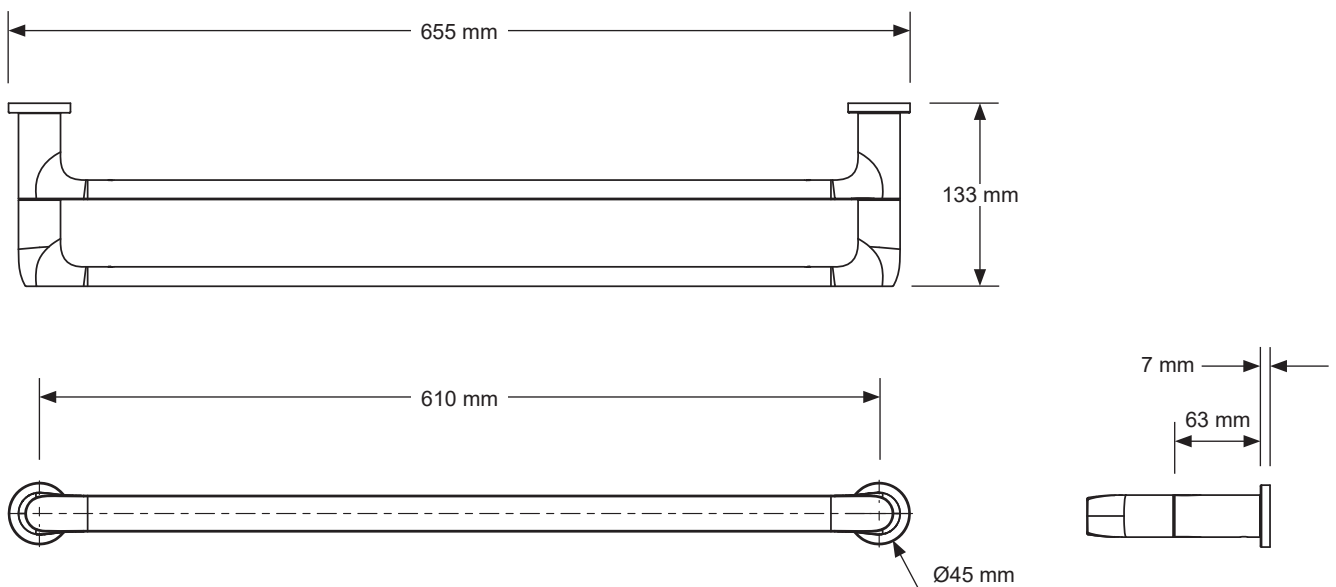
Material: Brass Body

Product Weight (kg): 2.1

Fixings Included: Yes

Guarantee (Years): 5

Additional Information: KOHLER® finishes resist corrosion and tarnishing, whilst solid brass construction ensures durability and reliability.

**Dimensions (mm):****Kohler UK**

Sales and Technical: +44 (0) 800 001 4466

info@kohler.co.uk

www.KOHLER.co.uk

THE BOLD LOOK
OF **KOHLER**®