

KOHLER®

INSTALLATION INSTRUCTIONS

安装说明书

斯蒂尼 STILLNESS

Single Lever/Single Control

979T-4
985T-4

单孔面盆龙头
高把单孔面盆龙头

安装之前

所有的资料是按最新出版的产品资料编写而成。科勒公司保留任何时候不经通知即可改变产品特性、包装或产品可供类型的权利。

说明书包括重要的安装、保养及清洁方面的内容，请把这些资料交给用户阅读。

注意事项：

1. 一定要先彻底冲洗供水管以清除管道中的杂质。
2. 如果是安装新的洗面盆，可将水龙头和排水组件先装好到洗面盆上。

BEFORE YOU BEGIN

All information is based on the latest product information available at the time of publication. Kohler Co. reserves the right to make changes in product characteristics, packaging, or availability at any time without notice.

Please leave these instructions for the consumer. They contain important information.

NOTES:

1. Flush the water supply pipes thoroughly to remove any debris.
2. For new installations, assemble faucet and drain to lavatory before installing lavatory.

使用说明

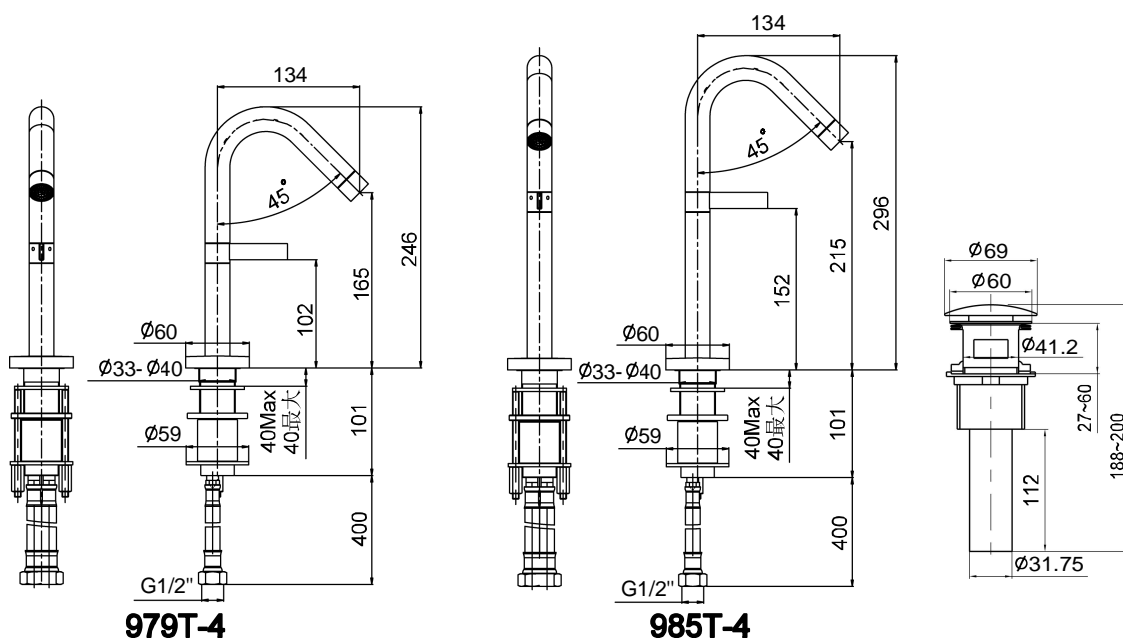
顺时针旋转手柄打开龙头，逆时针旋转手柄关闭龙头。

HANDLE OPERATION

Turn the handle clockwise to open the faucet. Turn the handle counter-clockwise to close the faucet.

安装尺寸

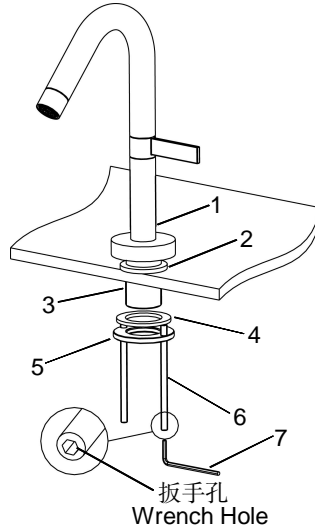
ROUGH-IN DIMENSIONS



安装步骤

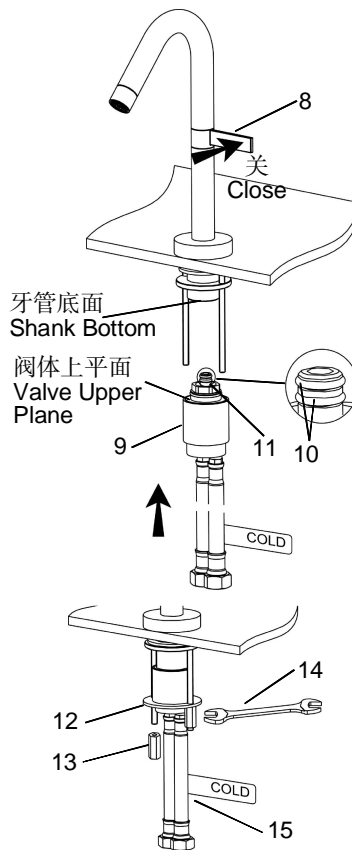
如何安装水龙头

将橡胶垫片(2)放入龙头出水口(1)底部凹槽,将龙头插入面盆的安装孔中。从面盆下方将塑料垫片(4)和固定环(5)装到牙管(3)上。保持螺杆(6)扳手孔朝下,旋到固定环上。调整好水龙头,用3毫米的六角扳手(7)锁紧螺杆以固定龙头。



安装阀体组件(9)前,使把手(8)处于关闭位置,确认阀处于关闭状态。如果阀未处于关闭状态,逆时针旋转阀柄(11)到截止位置。将阀体组件按图示垂直装入龙头出水口,直到牙管底面与阀体上平面接触。**注意:**在安装过程中,不要转动把手及阀体组件。

注意:在安装过程中,注意不要损坏阀柄上的O型圈(10)。万一损坏,请更换备件。



将钢垫(12)穿过软管(15)套入螺杆,用10毫米扳手(14)锁紧螺母(13)固定阀体组件。

把软管接到水源,有“COLD”标志的软管接冷水。

INSTALLATION

How to Install the Faucet

Put the rubber washer(2) into the bottom groove of the spout(1). Put the spout kit into the hole of the lavatory. From underside of the lavatory, install the plastic gasket(4) and the threaded ring(5) onto the shank(3). Keep the wrench holes of the studs(6) facing downwards, thread them onto the threaded ring. Position the faucet. Secure the faucet by tightening studs with 3mm hex wrench(7).

Before installing the valve kit(9), make sure the handle(8) is in closed position, and check for sure the valve is closed by turning the valve stem(11) counter-clockwise until stop. Insert the valve kit into the spout vertically as figure shown until the shank bottom touches the valve upper plane. **Note:** Don't turn the handle and the valve kit during installation.

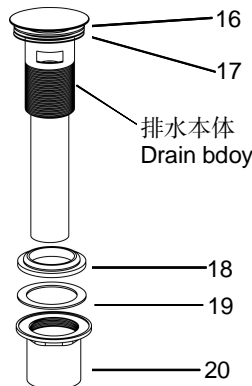
Note: During the installation, be careful, avoid damaging the O-rings(10) on the valve stem. If the O-rings are damaged, please replace them by the spare parts.

Slide the steel washer(12) onto studs through the hoses(15). Secure the valve kit by tightening nuts(13) with 10mm wrench(14).

Attach the hoses to water supplies. The hose with "COLD" label connects to cold water.

如何安装排水组件

将锁紧螺母(20)、塑料垫片(19)、橡胶垫圈(18)从排水本体上取下。把排水本体从面盆上部孔插入。再依次将橡胶垫圈(小面朝上)、塑料垫片和锁紧螺母从排水本体底部装入。锁紧螺母。



How to Install the Drain

Remove the locknut(20), plastic washer(19), rubber gasket(18) from the drain body. Insert the drain body into the lavatory. Reinstall the rubber gasket (Tapered side up), plastic washer and locknut back to the drain body in turn. Tighten the locknut.

注意: 如果需要,可直接在排水器法兰(16)底面沿周围涂一圈密封油灰或其它密封剂,而不使用橡胶垫片(17)。

在锁紧螺母拧紧后,不可调整排水本体的位置,否则会破坏油灰或密封剂密封。去除多余的油灰。

Note: If needed, apply a ring of plumbers putty or other sealants around the underside of the drain flange(16), instead of using rubber washer(17).

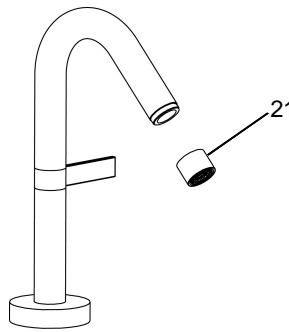
Do not reposition the drain after the locknut is tightened, or you may break the putty or sealant seal. Remove any excess putty.

安装结果检查

检查并确保所有的衔接处都已拧紧。确保手柄处于关闭位置。

打开排水系统和主要供水源,检查并修理有漏水的接口。

将起泡器组件(21)拆下,打开水龙头,让水流出出水口一分钟以清除杂质。冲洗起泡器,关闭水龙头,重新装回起泡器组件。



INSTALLATION CHECKOUT

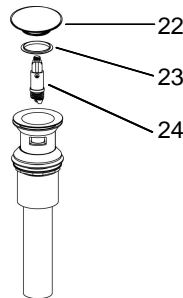
Ensure that all connections are tightened and the handle is in the off position.

Open the drain. Turn on main water supply and check for leaks. Repair as required.

Remove the aerator assembly(21). Turn on the faucet. Run the water through the spout for about one minute to remove any debris. Remove any debris from the aerator. Shut off the faucet and reinstall the aerator assembly.

更换止水垫及活塞组件

逆时针旋下止水塞(22),取出止水垫(23)。更换新的止水垫。逆时针旋下活塞组件(24),更换新的活塞组件。装回止水垫及止水塞。



Replacing the Washer and Piston Kit

Turn counterclockwise to remove the stopper(22). Take out washer(23). Replace with a new one. Turn counterclockwise to remove the piston kit(24). Replace with a new one. Reinstall stopper and washer.

清理说明

适用于所有加工处理过的表面:以中性肥皂水清洗镀层表面,再以干净的软布彻底擦干整个表面,许多清洁剂,比如氨水、去污粉及洁厕灵等,会对电镀表面造成伤害,切忌使用。

有磨损性的清洁用具或清洁剂也不可适用于科勒牌的水龙头及其配件上。

CLEANING INSTRUCTIONS

All Finishes: Clean the finish with mild soap and warm water. Wipe entire surface completely dry with clean soft cloth. Many cleaners may contain chemicals, such as ammonia, chlorine, toilet cleaner etc. which could adversely affect the finish and are not recommended for cleaning.

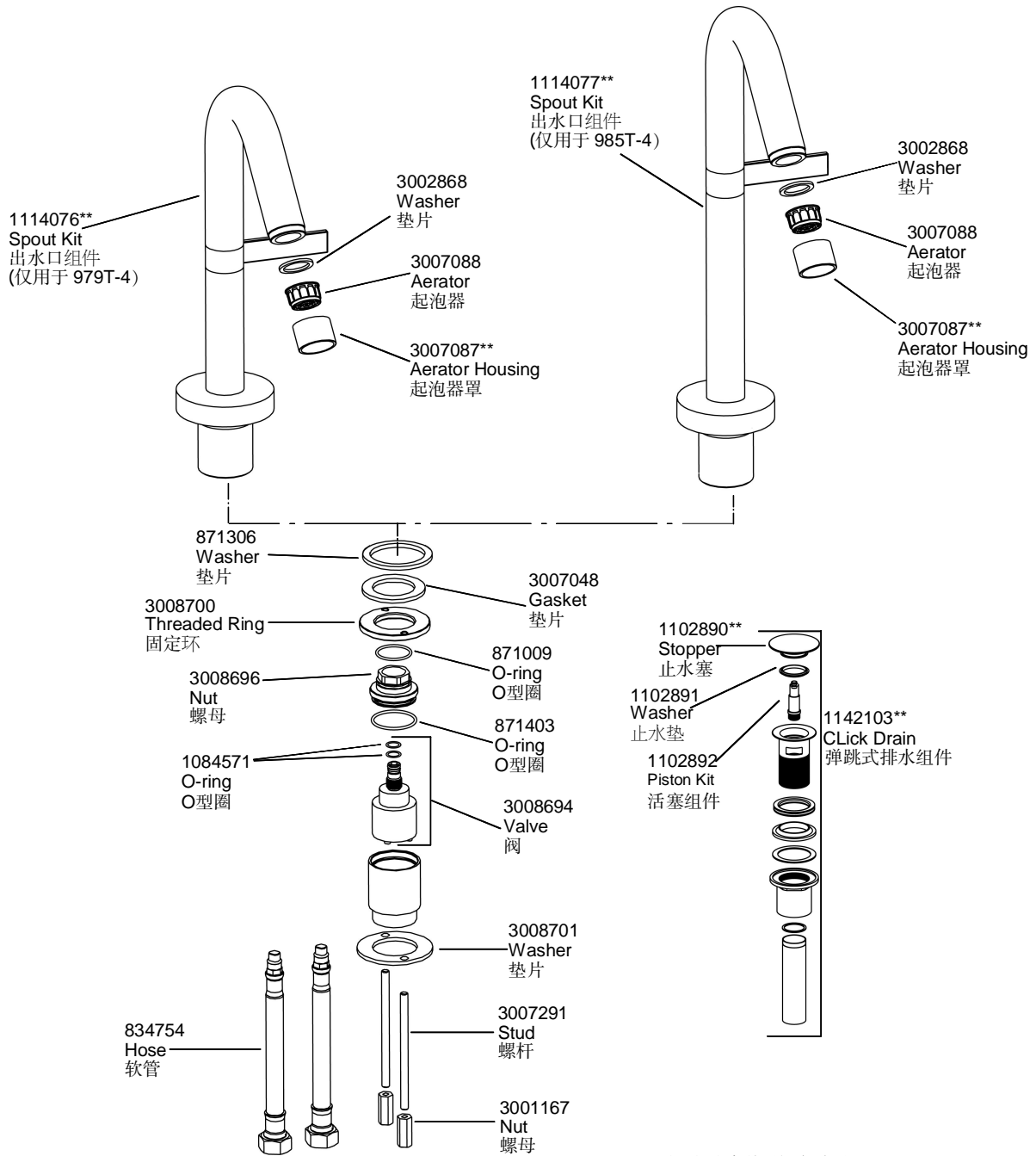
Do not use abrasive cleaners or solvents on Kohler faucets and fittings.

979T-4

985T-4

单孔面盆龙头

高把单孔面盆龙头



**订购时请说明颜色编号

**Color code must be specified when ordering.