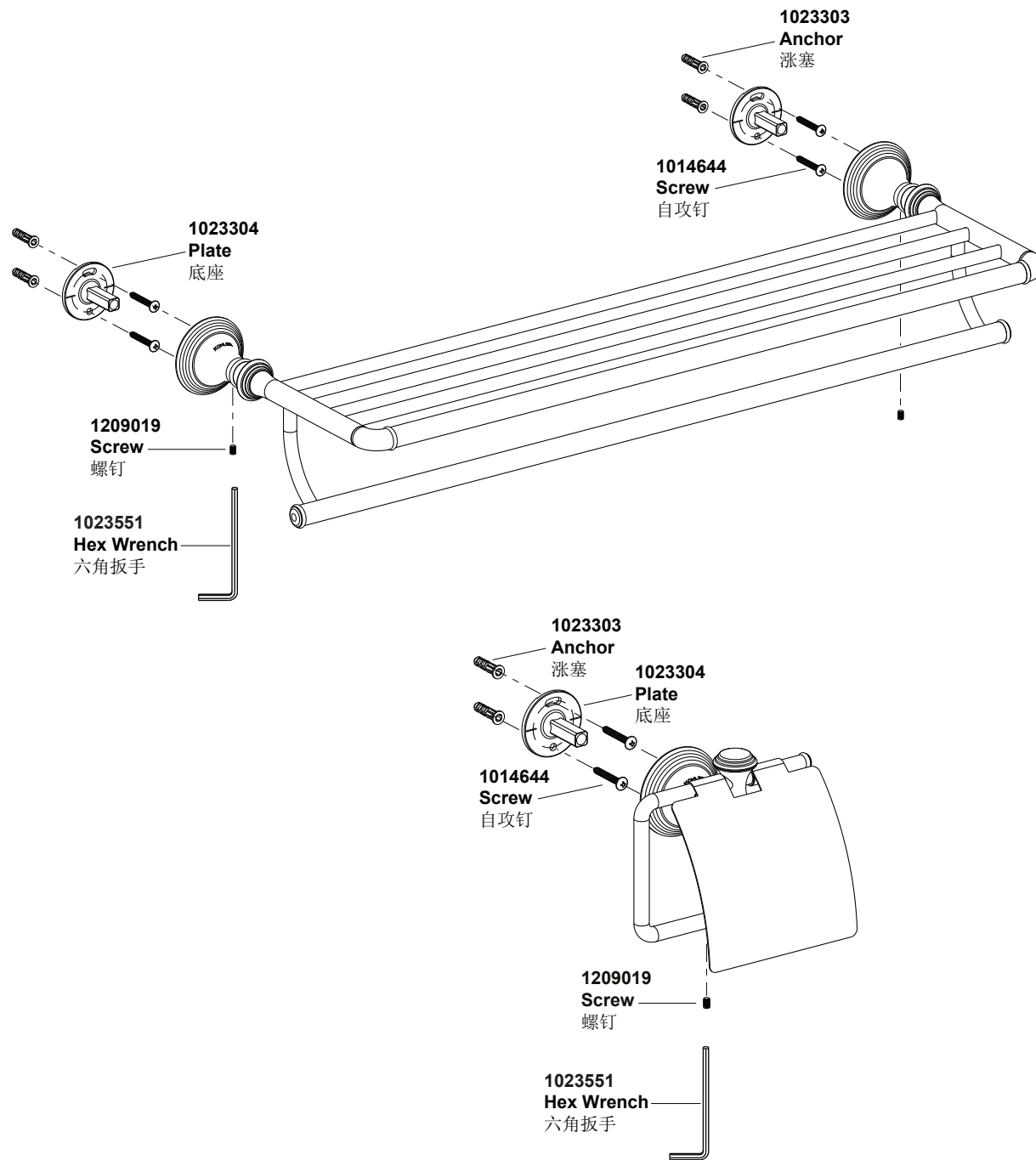


98072T 24"双层浴巾架
98073T 带盖卫生纸架



**订购时请说明颜色编号
**Color code must be specified when ordering

98072T 24"双层浴巾架
98073T 带盖卫生纸架

安装之前

所有的资料是按最新出版的产品资料编写而成。科勒公司保留任何时候不经通知即可改变产品特性、包装或产品可供类型的权利。

说明书包括重要的安装、保养及清洁方面的内容，请把这些资料交给用户阅读。

注意事项：

本产品为水泥墙面安装或木墙面安装。若安装在其他表面可能影响产品性能。

危险警告：(人身伤害)

本产品不能作为扶手等支撑物使用，请勿将产品安装在可能被误认为扶手等支撑物的位置。

BEFORE YOU BEGIN

All information is based on the latest product information available at the time of publication. Kohler Co. reserves the right to make changes in product characteristics, packaging, or availability at any time without notice.

Please leave these instructions for the consumer. They contain important information.

NOTE:

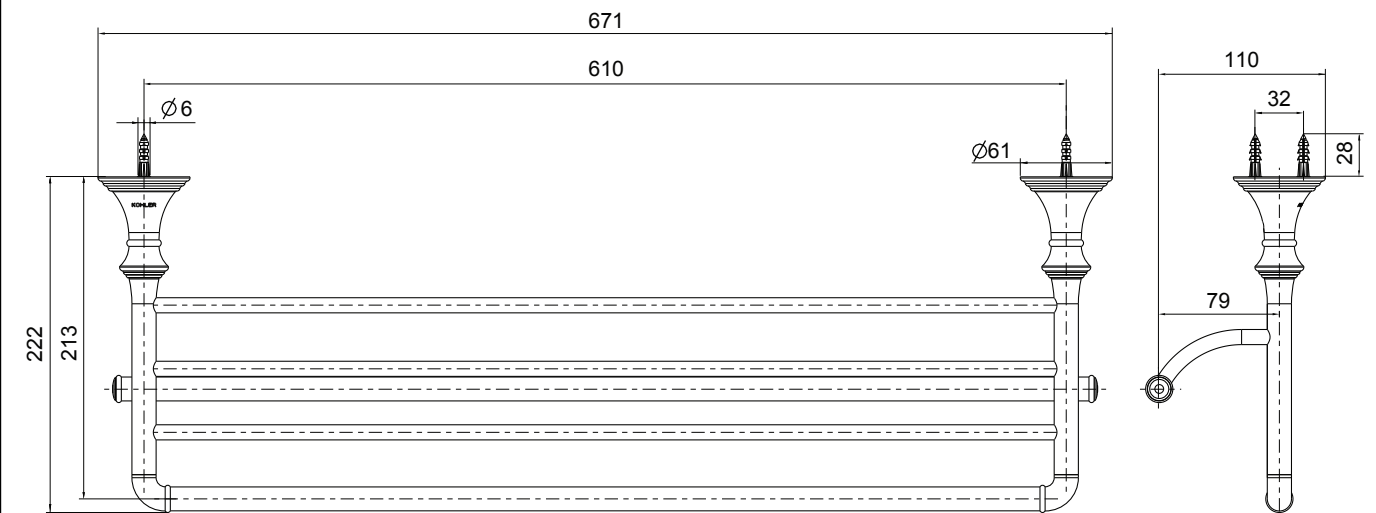
These products should be located and mounted to a wall. While it is possible to mount them to any surface, a stud or concrete mounted product will yield the best results.

DANGER: (Risk of personal injury)

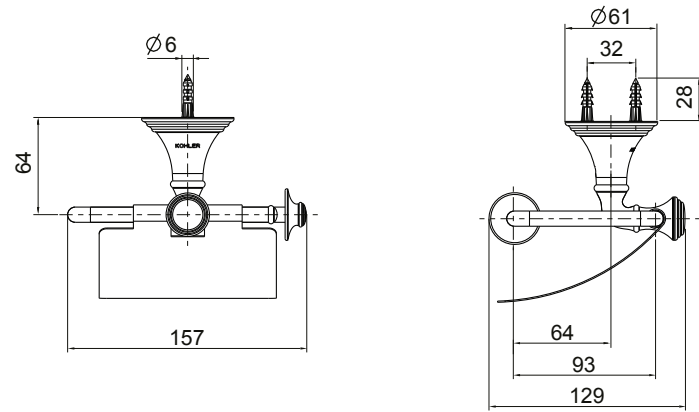
These products are not designed or intended for use as a grab bar or support bar. Do not install any of these products in any area where they are likely to be used inadvertently as a grab bar or support bar.

安装尺寸

ROUGH-IN DIMENSIONS



98072T



98073T

安装步骤

如何安装托架

用六角扳手(1)旋松装饰罩(2)上的螺钉(3)，将底座(4)从装饰罩上取下。

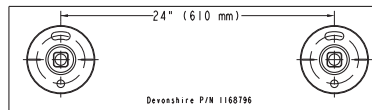
仅对于98073T

在垂直面的墙壁上，选择一个合适的位置用于安装底座。

如图所示，在墙壁上标记胀塞(5)安装孔位置，确保底座(4)大安装孔在上，小安装孔在下，两螺钉孔铅锤。根据胀塞直径钻孔。

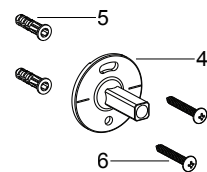
仅对于98072T

如图所示，在垂直面的墙壁上找一合适的位置粘贴模板，确保模板水平，保持圆孔在下。根据胀塞直径钻孔。



对于所有产品

将胀塞(5)塞入孔中，用自攻钉(6)固定底座(4)，保持底座大安装孔在上，小安装孔在下，两螺钉孔铅锤。



INSTALLATION

How To Install The Plate

Loosen the screw(3) on the post(2) with hex wrench(1), remove the plate(4) from the post.

Only For 98073T

Select a location on the vertical wall to install the plate.

Mark anchor(5) mounting hole locations on wall as shown, ensure the large slotted mounting hole of the plate(4) up, the smaller hole of the plate down and two screw holes are vertical. Drill holes in the finished wall as required.

Only For 98072T

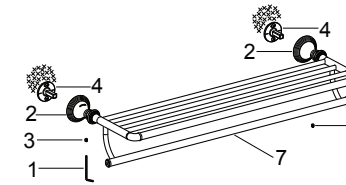
Select a location on the vertical wall to stick the templet, ensure the templet is level and keep the smaller hole down as shown. Drill holes in the finished wall as required.

For All Products

Press the anchor(5) into the holes. Orienting the large slotted mounting hole of the plate up, the smaller hole of the plate down and two screw holes are vertical, secure the plate(4) with the self-tapping screws(6).

如何安装双层浴巾架

将底座(4)装入双层浴巾架组件(7)的装饰罩(2)内，保持装饰罩的螺钉孔向下，用六角扳手(1)锁紧螺钉(3)，固定双层浴巾架组件。

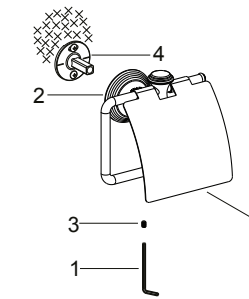


How To Install Double Towel Shelf

Slide the posts(2) onto the double towel shelf kit(7) onto the plates(4). Orient the screw hole of each post downward, Tighten the screw (3) with the hex wrench(1) to secure the double towel shelf kit.

如何安装带盖卫生纸架

将底座(4)装入带盖卫生纸架组件(8)的装饰罩(2)内，保持装饰罩的螺钉孔向下，用六角扳手(1)锁紧螺钉(3)，固定带盖卫生纸架组件。



How To Install The Covered Toilet Tissue Holder

Slide the post(2) of the covered toilet tissue holder kit(8) onto the plate(4). Orient the screw hole of the post downward. Tighten the screw(3) with the hex wrench(1) to secure the covered toilet tissue holder kit.

安装结果检查

检查并确保所有连接处已锁紧。

检查并确保所有六角螺钉竖直向下。

INSTALLATION CHECKOUT

Ensure that all connections are tightened.

Ensure all setscrews face straight down.

清洗说明

适用于所有加工处理过的表面：以中性肥皂水清洗镀层表面，再以干净的软布彻底擦干整个表面，许多清洁剂，比如氨水、去污粉及洁厕灵等，会对电镀表面造成伤害，切忌使用。

有磨损性的清洁用具或清洁剂也不可适用于科勒牌的水龙头及其配件上。

CLEANING INSTRUCTIONS

All Finishes: Clean the finish with mild soap and warm water. Wipe entire surface completely dry with a clean soft cloth. Many cleaners may contain chemicals, such as ammonia, chlorine, toilet cleaner etc. Which could adversely affect the finish and are not recommended for cleaning.

Do not use abrasive cleaners or solvents on Kohler faucets and fittings.