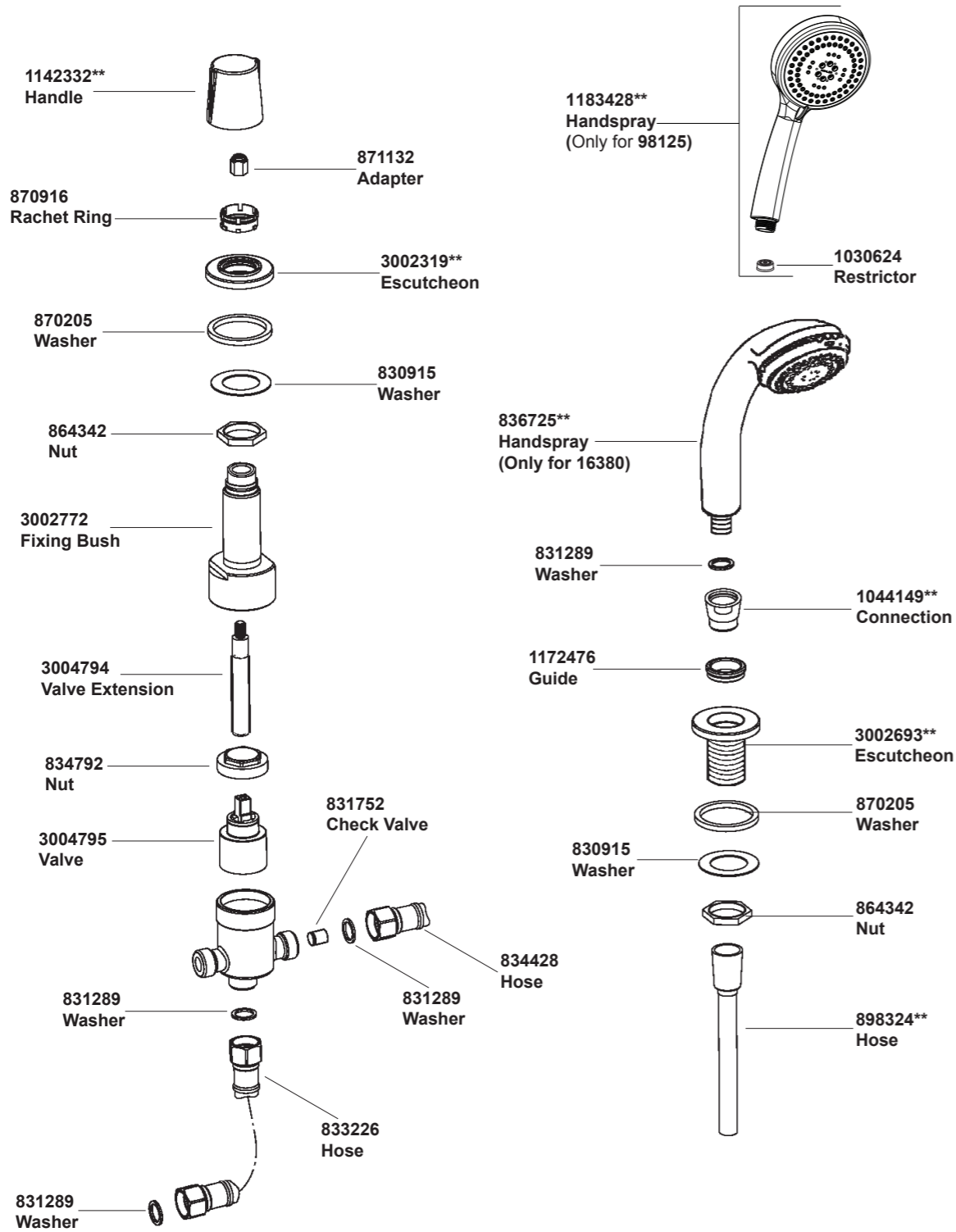


16380 98125 DECK-MOUNT DIVERTER WITH HANDSPRAY



**Color code must be specified when ordering

16380 98125 DECK-MOUNT DIVERTER WITH HANDSPRAY

BEFORE YOU BEGIN

All information is based on the latest product information available at the time of publication. Kohler Co. reserves the right to make changes in product characteristics, packaging, or availability at any time without notice.

Please leave these instructions for the consumer. They contain important information.

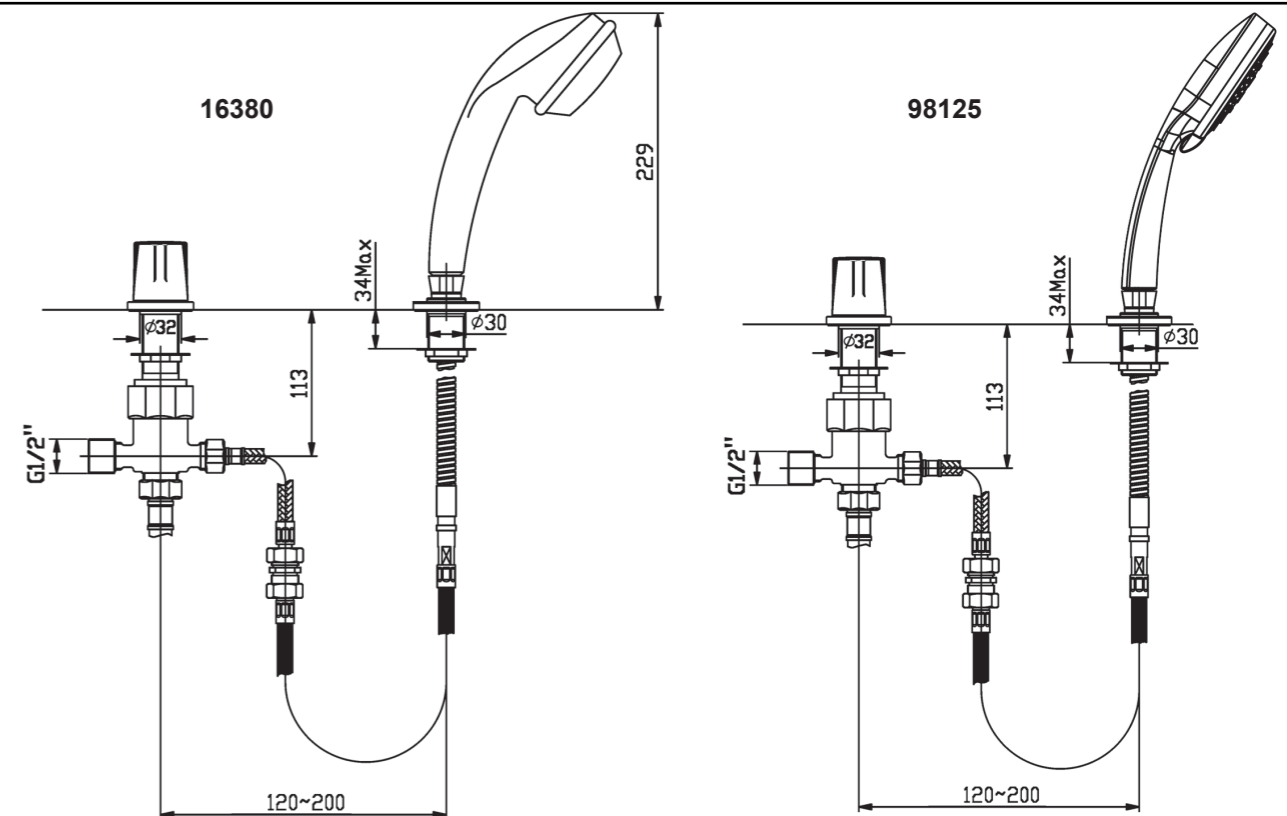
NOTES:

1. Flush the water supply pipes thoroughly to remove debris.
2. Shut off the water supplies to the fitting.
3. Inspect the supply tubing for damage. Replace as necessary.
4. Observe local plumbing codes.
5. If possible, install this faucet before installing the tub.
6. The highest working pressure for handspray is 0.5MPa(5 bar). If it exceeds 0.5MPa(5 bar), a pressure reducer is needed. The highest water and environment temperature is 60°C. Please keep handspray, shower head and the shower arm away from heater, or it may become damaged and cause injury to the user.

HANDLE OPERATION

Turn diverter handle clockwise for the bath spout, turn counter-clockwise for the handspray, middle position for both.

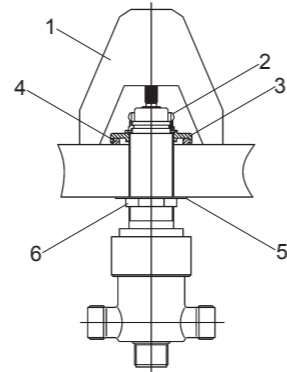
ROUGH-IN DIMENSIONS



INSTALLATION

How To Install The Diverter Body

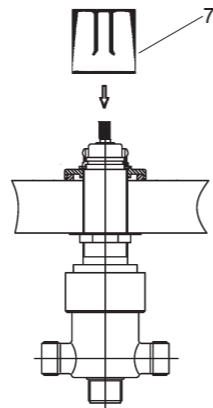
Remove the parts according to the following order: ratchet ring(2), escutcheon(3) and washer(4). Insert the side body with washer(5) and nut(6) through mounting hole from underside of the deck. Reinstall the parts according to the following order: washer(4), escutcheon(3) and ratchet ring(2). Adjust the side body's height above the deck according to the adjustable cardboard(1). Wrench tighten the nut(6).



Note: When installing the diverter body, the end with the check valve is towards the side of the hole for handspray.

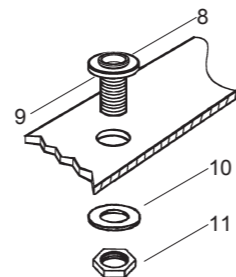
How To Install The Diverter Handle

Place the handle(7) onto the diverter body. The correct status of the handle in the middle position is as shown in the figure.



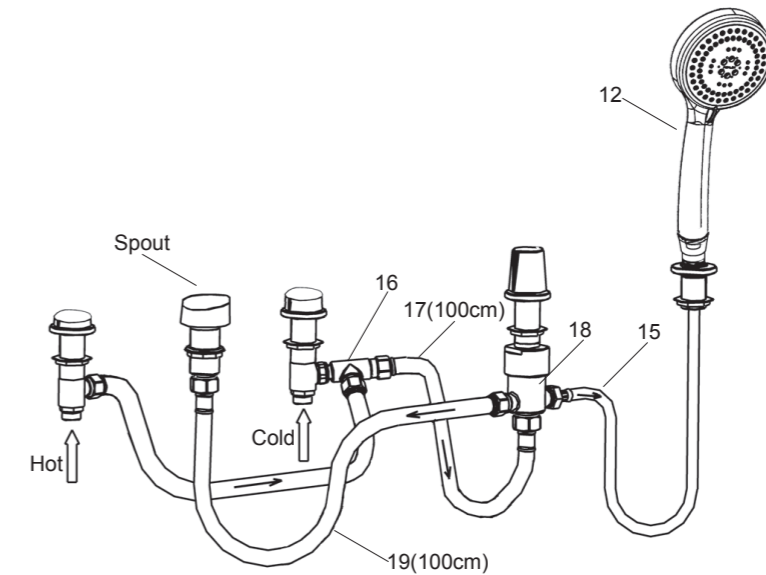
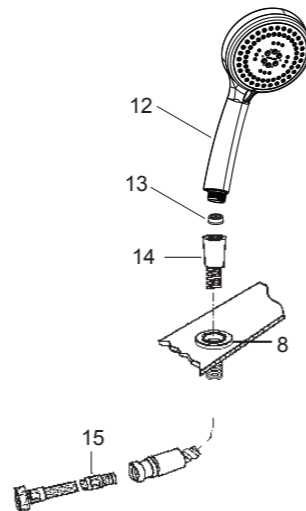
How To Install The Handspray And Hoses

Remove the nut(11), washer(10). Put the rubber washer(9) into the groove of the escutcheon(8). From underside, install the washer(10) and nut(11) to the escutcheon. Then tighten the nut firmly.



Slide the hose(14) through escutcheon(8), and attach to the hose(15).

Put the restrictor(13) in the handspray(12) inlet. Connect the hose(14) to the handspray.



Put the fiber washer into connecting nut of the hose(15), then thread the nut to the end with check-valve of diverter(18). Put the fiber washer into each connecting nut of the hose(17), then connect the Tee(16) and inlet end of the diverter. Connect the spout and the other end of the diverter with the hose(19)(Provided with the deck-mount bath faucet 16390). Tighten all the connecting nut.

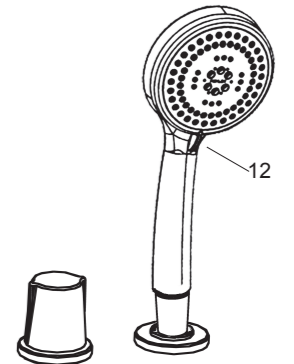
To ensure the water flow smoothly and the handspray can be drawn out easily, the hose should avoid kinking, twisting.

Note: The end with the check valve of diverter must be connected to the handspray. Hoses should only be used where defined.

INSTALLATION CHECKOUT

Ensure that all connections are tight. Ensure that the handle is in the off position. Remove the handspray(12). Open the drain. Turn on the main supply and check for leaks. Open both hot and cold valves and run water through the spout to remove any debris. Turn the valve off. Reinstall the handspray.

Gently rotate the handspray head. You can get three different flows signed on handspray head.



CLEANING INSTRUCTIONS

All Finishes: Clean the finish with mild soap and warm water. Wipe entire surface completely dry with clean soft cloth. Many cleaners may contain chemicals, such as ammonia, chlorine, toilet cleaner etc. which could adversely affect the finish and are not recommended for cleaning.

Do not use abrasive cleaners or solvents on Kohler faucets and fittings.