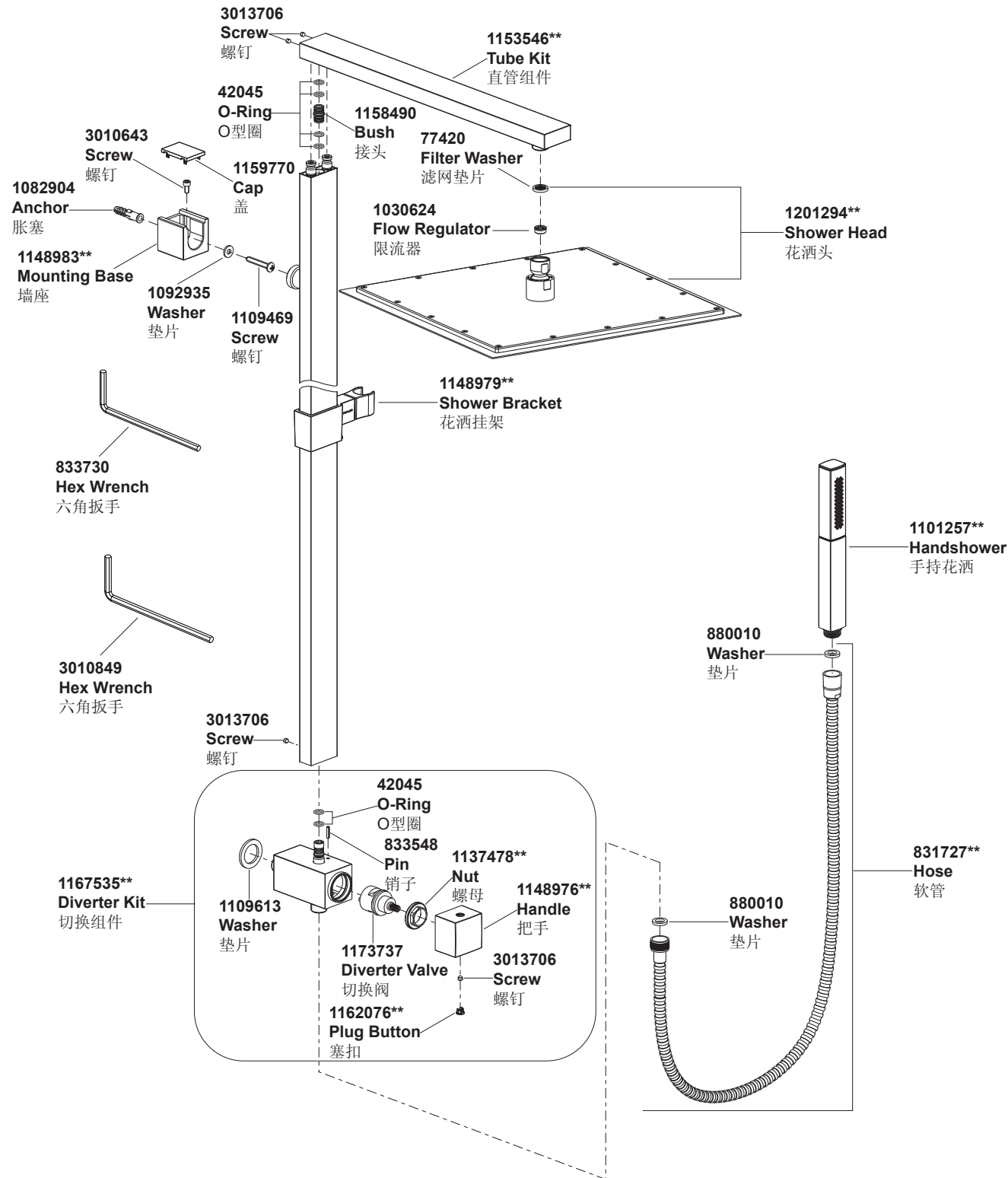


98337T 淋浴柱-超薄型



**订购时请说明颜色编号
**Color code must be specified when ordering

98337T 淋浴柱-超薄型

安装之前

所有的资料是按最新发布的产品资料编写而成。科勒公司保留任何时候不经通知即可改变产品特性、包装或产品可供类型的权利。

说明书包括重要的安装、保养及清洁方面的内容，请把这些资料交给用户阅读。

注意事项：

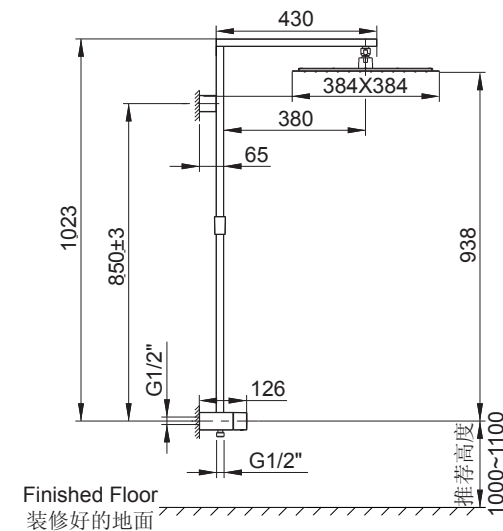
1. 切断供水管路。
2. 检查供水管路有无损坏。如需要，进行替换。
3. 遵守当地管路安装条例。
4. 推荐最小工作压力2bar(0.2MPa)。

5. 花洒最高工作压力：0.5MPa(5bar)。水压超过0.5MPa(5bar)须安装减压阀。花洒最高工作温度及环境温度：60°C。请特别注意花洒同花洒连接的臂管须远离加热器，否则可能损坏花洒及其密封件，甚至对使用者造成伤害。

使用说明

切换把手带手持花洒标志的一侧向上，手持花洒出水；无标志一侧向上，头部花洒和手持花洒同时出水；带花洒头标志的一侧向上，头部花洒出水。

安装尺寸



BEFORE YOU BEGIN

All information is based on the latest product information available at the time of publication. Kohler Co. reserves the right to make changes in product characteristics, packaging, or availability at any time without notice.

Please leave these instructions for the consumer. They contain important information.

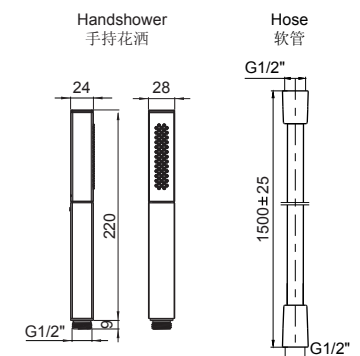
NOTES:

1. Shut off the water supplies to the fitting.
2. Inspect the supply tubing for damage. Replace as necessary.
3. Observe local plumbing codes.
4. Recommended minimum working pressures is 2bar (0.2MPa).
5. The highest working pressure for shower is 0.5 MPa(5 bar). If it exceeds 0.5MPa(5 bar), a pressure reducer is needed. The highest water and environment temperature is 60°C. Please keep shower head, handshower and shower arm away from heater, or it may become damaged and cause injury to the user.

HANDLE OPERATION

Turn the diverter handle to the handshower logo upwards, the handshower will work; turn it to the side with the no logo upwards, the shower head and the handshower will work; turn it to shower head upwards, the shower head will work.

ROUGH-IN DIMENSIONS



安装步骤

如何安装淋浴杆

根据安装尺寸，在垂直面的墙壁选一合适的位置来安装淋浴柱。

为使安装顺利，G1/2"内螺纹管道配件(1)应已装好。

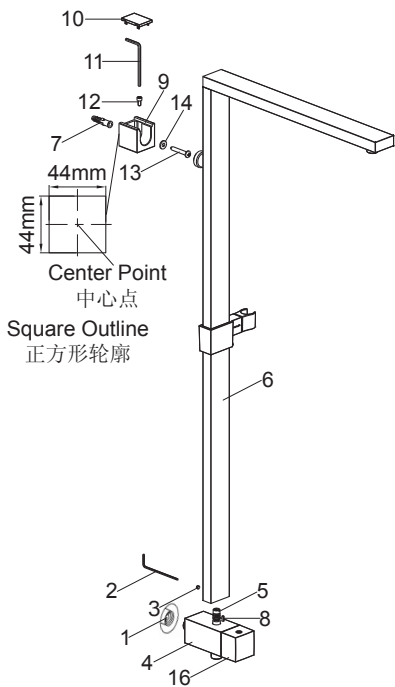
注意：管道配件要垂直且不能突出装修好的墙面，但低于墙面不能超过7mm。

用六角扳手(2)旋松螺钉(3)，取下切换组件(4)。在切换组件螺纹上缠足足以密封的密封胶带或涂合适的密封胶，将切换组件装入G1/2"管道配件，旋紧至同墙面接触，调整切换组件使接头(5)朝上。

试装滑杆组件(6)，以确定胀塞(7)安装位置。将滑杆组件通过销子(8)装在切换组件上。将墙座(9)紧贴墙壁放置。用铅笔在墙面上标记墙座底部的正方形轮廓。取下顶盖(10)，用六角扳手(11)旋下螺钉(12)(**注意：**切勿弄丢螺钉。)，取下墙座。用铅笔标记墙座底部正方形轮廓的中心点位置。

根据胀塞直径在中心点位置钻孔。将胀塞塞入孔中，用自攻钉(13)带垫片(14)固定墙座，确保墙座开口向上，且墙座底部与墙面上正方形轮廓重合。

将滑杆组件从上方装入墙座，同时用销子连接滑杆组件和切换组件。用六角扳手(2)旋紧螺钉(3)。用六角扳手(11)安装并锁紧螺钉(12)以固定滑杆组件。如不能装入螺钉，可通过上下调节墙座安装螺钉。安装顶盖。



INSTALLATION

How To Install The Slide Bar

Select a location in vertical wall to install shower column according to rough-in dimensions.

To perform installation, installer must provide G1/2" female supply fitting(1).

NOTE: The supply fitting should be not beyond and below the finished wall less than 7mm, be vertical as well.

Loosen the screw(3) with the hex wrench(2), and remove the diverter kit(4). Apply tape or thread sealant to the diverter threads. Thread the diverter kit onto G1/2" supply fitting until against the finished wall, adjust diverter kit and make sure the connector(5) facing upwards.

Rehearse the slide bar kit(6) installation for the anchor(7) mounting location determination. Install the slide bar kit onto the diverter kit by the pin(8). Place the base(9) against the finished wall. Mark the square outline of the bottom of the base with a pencil on the wall. Remove the cap(10). Unscrew the screw(12) with the hex wrench(11) and remove the base. Mark the center point of the square outline with a pencil.

Drill a hole on the center point as the anchor diameter. Press the anchor into the hole. Secure the base by the self-tapping screw(13) with the washer(14), and make sure the slot of the base upwards, and the bottom of the base coincides with the square outline on the wall.

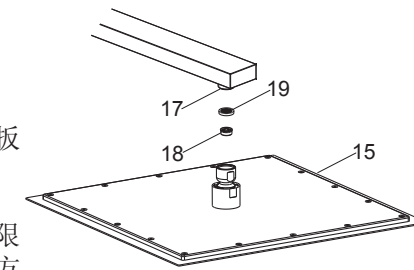
Slide the slide bar kit onto the base, and connect the slide bar kit and the diverter kit by the pin. Tighten the screw(3) with the hex wrench(2). Install the screw(12) with the hex wrench(11) and tighten it to secure the slide bar kit. Adjust the base vertically to install the screw, if needed. Install the cap.

如何安装花洒头

装花洒头(15)之前，使切换把手(16)带花洒头标志的一侧向上，打开水源冲掉管路中的杂质。

将花洒头旋到出水口(17)上，用带状扳手锁紧。

在装花洒头之前，可根据需要安装限流器(18)。先取出垫片(19)，按图示方向放入限流器，再装回垫片。



How To Install The Shower Head

Turn the diverter handle(16) to the side of the shower head logo upwards and run hot and cold water for about one minute to remove any debris before the shower head(15) is installed.

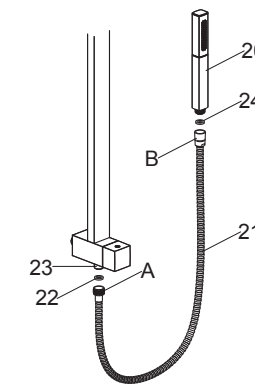
Tighten the shower head onto the outlet (17) with strap wrench.

Before installation, install the regulator (18) if needed. Take out the washer(19) and install the restrictor as the figure shown, reinstall the washer.

如何安装手持花洒和软管

装手持花洒(20)之前，使切换把手(16)带手持花洒标志的一侧向上，打开水源冲掉管路中的杂质。

用软管(21)的A端带滤网垫片(22)连接接头(23)。用软管的B端带滤网垫片(24)连接手持花洒出水口。



How To Install The Handshower And The Hose

Turn the diverter handle(16) to the side of the handshower logo upwards and run hot and cold water for about one minute to remove any debris before the handshower(20) is installed.

Connect the end A of the hose(21) with the filter washer(22) to the connector (23). Connect the end B of the hose with the filter washer(24) to the handshower.

安装结果检查

检查并确保所有的衔接处都已拧紧。

打开排水系统和主要供水源，检查并修理有漏水的接口。

INSTALLATION CHECKOUT

Ensure that all connections are tight.

Turn on the drain and main water supply, and check for leaks. Repair as needed.

清洗说明

适用于所有加工处理过的表面：以中性肥皂水清洗镀层表面，再以干净的软布彻底擦干整个表面，许多清洁剂，比如氨水、去污粉及洁厕灵等，会对电镀表面造成伤害，切忌使用。

有磨损性的清洁用具或清洁剂也不可适用于科勒牌的水龙头及其配件上。

CLEANING INSTRUCTIONS

All Finishes: Clean the finish with mild soap and warm water. Wipe entire surface completely dry with clean soft cloth. Many cleaners may contain chemicals, such as ammonia, chlorine, toilet cleaner etc. which could adversely affect the finish and are not recommended for cleaning.

Do not use abrasive cleaners or solvents on Kohler faucets and fittings.