

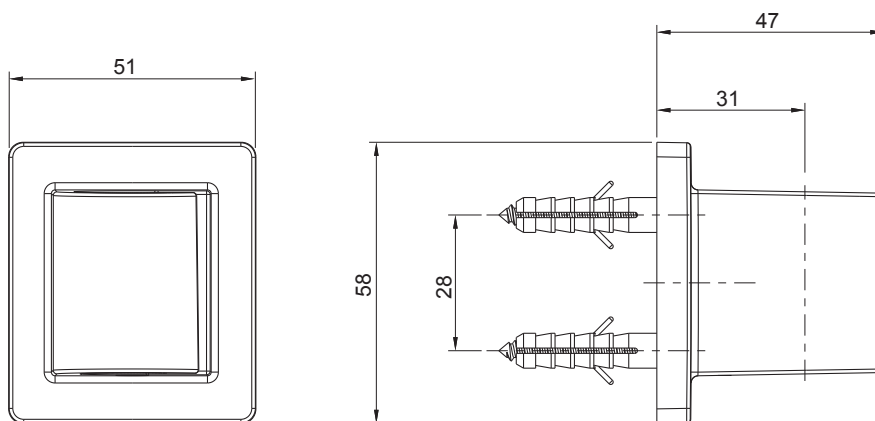
98347T Fixed Wall Mount Bracket
98348T Adjustable Wall Mount Bracket

BEFORE YOU BEGIN

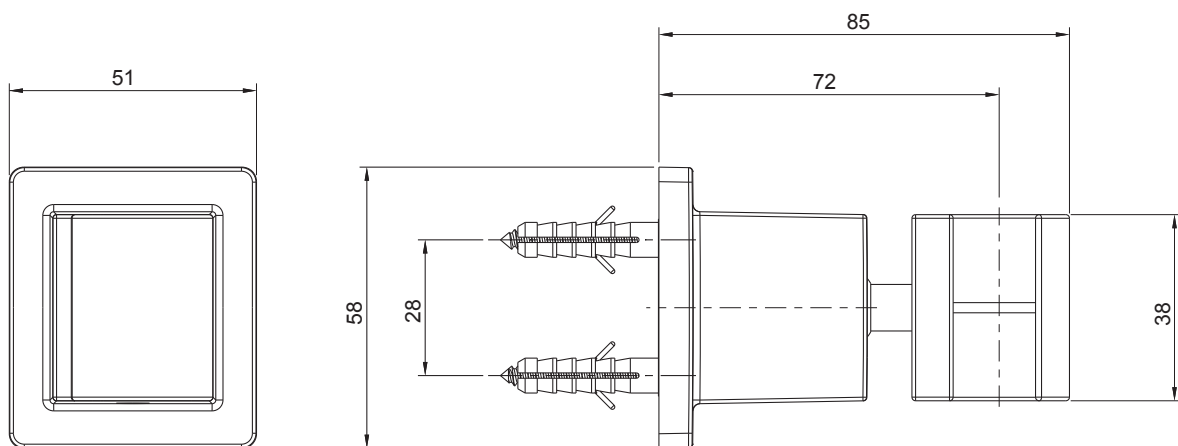
All information is based on the latest product information available at the time of publication. Kohler Co. reserves the right to make changes in product characteristics, packaging, or availability at any time without notice.

Please leave these instructions for the consumer. They contain important information.

ROUGH-IN DIMENSIONS



98347T



98348T

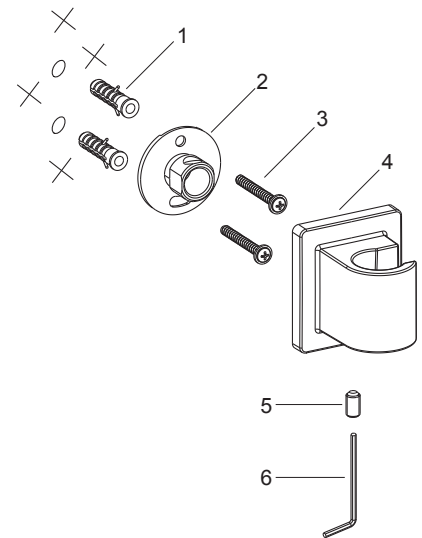
INSTALLATION

Determine a suitable location on the finished wall to install the bracket.

Mark bracket base mounting holes locations on the wall according to the dimension. Drill two holes in the finished wall, the holes should match the anchors(1). Install the anchors. Tighten screws(3) to fix bracket base(2) on the finished wall.

Apply a ring of plumber putty or other sealants around the underside of the bracket(4). Put the bracket onto the bracket base and lock them by screw(5) and hex wrench(6).

Remove any excess putty.

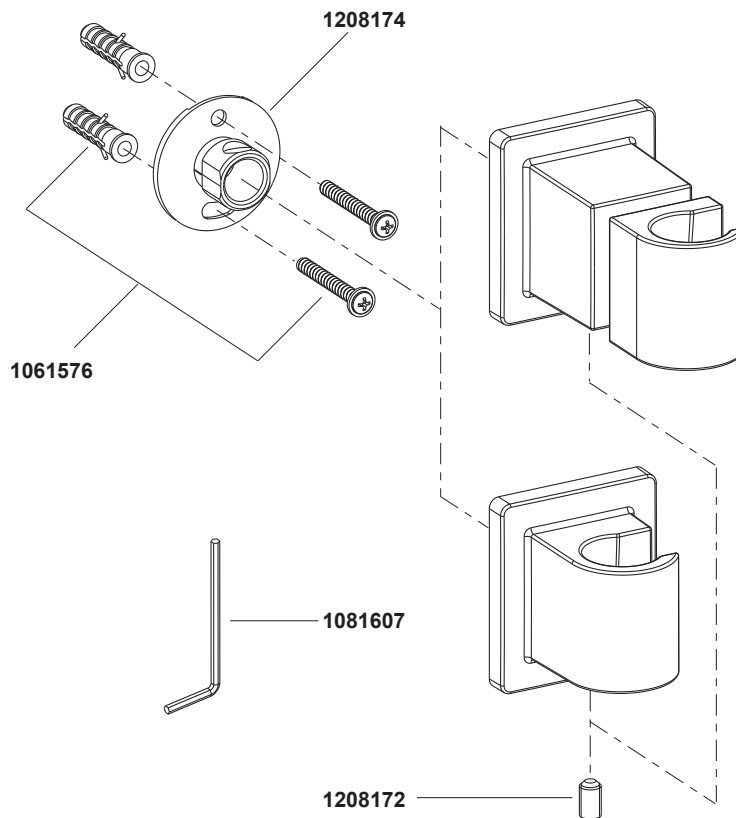


CLEANING INSTRUCTIONS

All Finishes: Clean the finish with mild soap and warm water. Wipe entire surface completely dry with clean soft cloth. Many cleaners may contain chemicals, such as ammonia, chlorine, toilet cleaner etc, which could adversely affect the finish and are not recommended for cleaning.

Do not use abrasive cleaners or solvents on Kohler faucets and fittings.

SERVICE PARTS



**Color code must be specified when ordering