

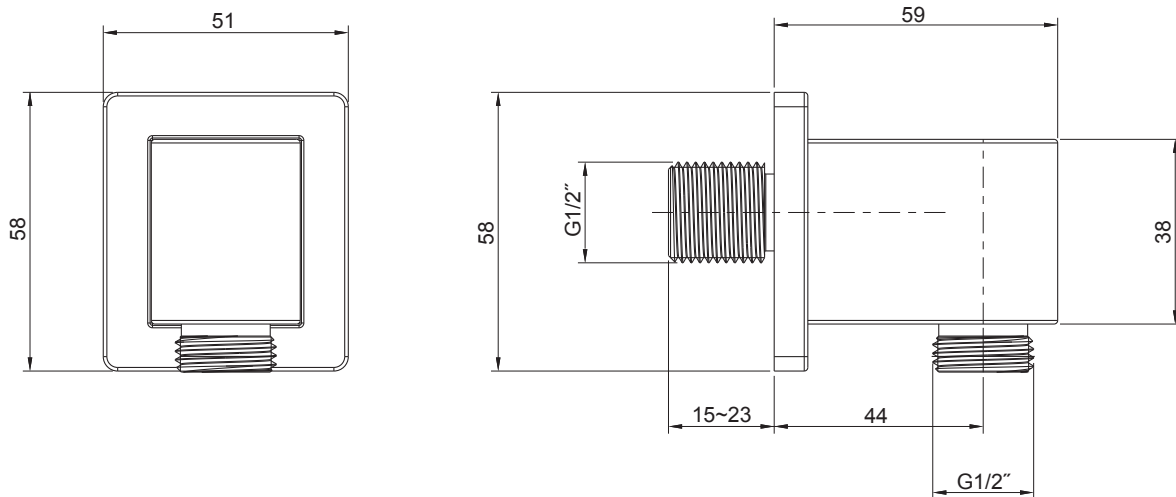
98351T Wall Mount Connection

BEFORE YOU BEGIN

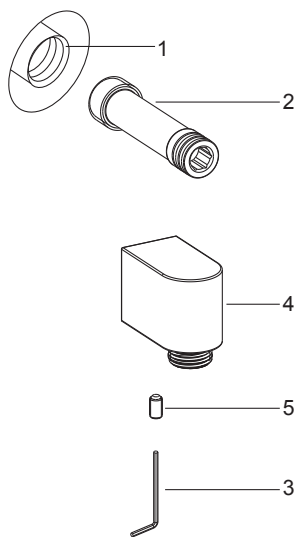
All information is based on the latest product information available at the time of publication. Kohler Co. reserves the right to make changes in product characteristics, packaging, or availability at any time without notice.

Please leave these instructions for the consumer. They contain important information.

ROUGH-IN DIMENSIONS



INSTALLATION

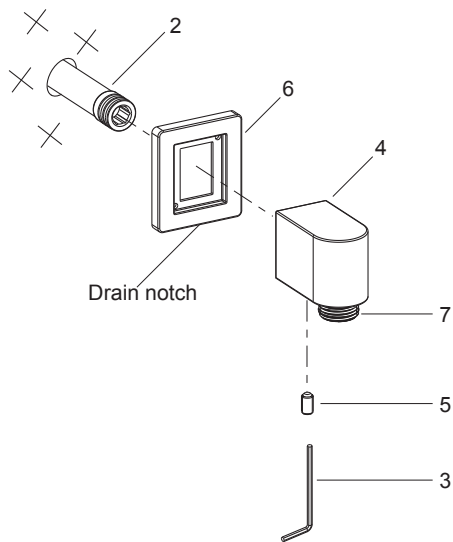


Before installation, installer must provide G1/2" female supply fitting(1).

Apply tape or thread sealant to G1/2" threads of the outlet bush(2). Install the outlet bush onto the supply fitting. Secure it with a wrench and make it extend 32~39mm beyond the finished wall. **NOTE:** Don't drop the o-rings(3).

Loosen the screw(5) in the bottom of the connectoin kit(4) with the hex wrench(3), make the outlet bush can be installed.

NOTE: Do not fall the parts in the kit off.



Put the connection kit(4) into the escutcheon(6), confirm the drain notch of the escutcheon is pointed down.

Apply a ring of plumber putty or other sealants around the underside of the escutcheon. Install the connection kit(4) and escutcheon onto the outlet bush(2) until against the finished wall. Adjust the connection kit and make sure the outlet(7) downwards.

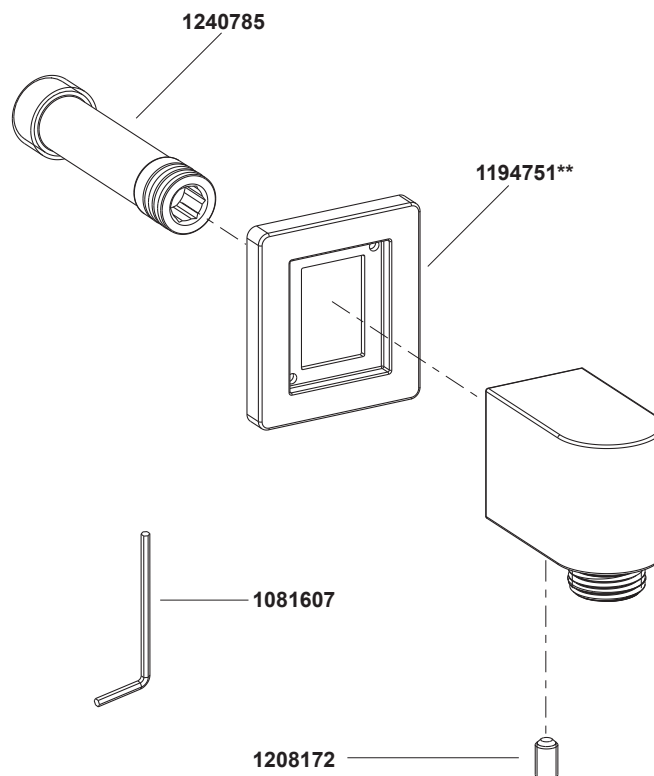
Tighten the screw(5) in the bottom of the kit by the hex wrench(3). Remove any excess putty.

CLEANING INSTRUCTIONS

All Finishes: Clean the finish with mild soap and warm water. Wipe entire surface completely dry with clean soft cloth. Many cleaners may contain chemicals, such as ammonia, chlorine, toilet cleaner etc, which could adversely affect the finish and are not recommended for cleaning.

Do not use abrasive cleaners or solvents on Kohler faucets and fittings.

SERVICE PARTS



**Color code must be specified when ordering