

98352T Wall Mount Connection 98354T Bracket With Water Supply

BEFORE YOU BEGIN

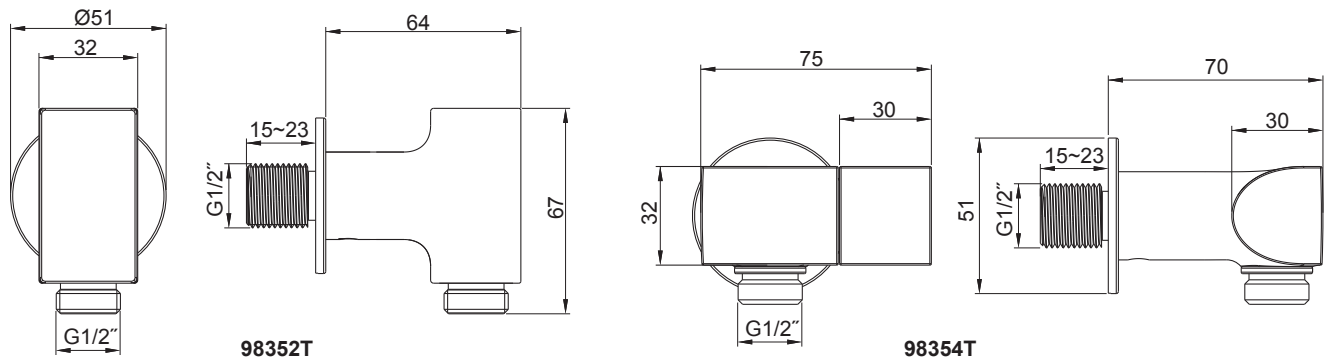
All information is based on the latest product information available at the time of publication. Kohler Co. reserves the right to make changes in product characteristics, packaging, or availability at any time without notice.

Please leave these instructions for the consumer. They contain important information.

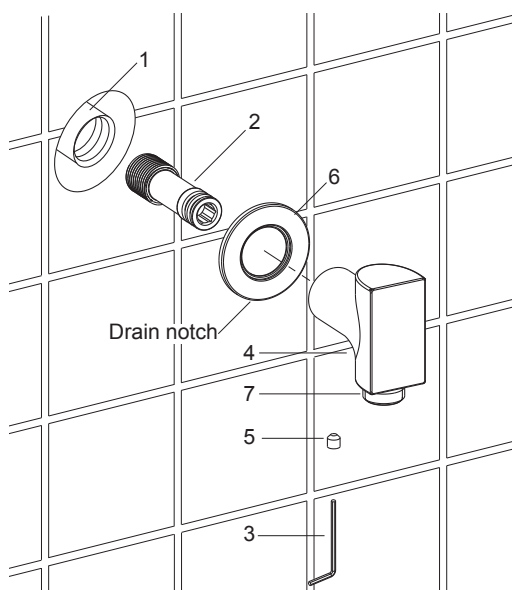
NOTES:

1. Flush the water supply pipes thoroughly to remove debris.
2. Observe all local plumbing and building codes.
3. Shut off the main water supply.

ROUGH-IN DIMENSIONS



INSTALLATION



Before installation, plumber must provide G1/2" female supply fitting(1).

Apply tape or thread sealant to G1/2" threads of the outlet bush(2). Install the outlet bush into the supply fitting. Secure it with a wrench and make it extend 32~39mm beyond the finished wall. **NOTE:** Don't drop the o-rings on the bush.

Loosen the screw(5) in the bottom of the connectoin kit(4) with the hex wrench(3), make the connection kit can be installed. **NOTE:** Do not fall the parts in the kit off.

Slide the escutcheon(6) onto the connection(4). Apply a ring of plumber putty or other sealants around the underside of the escutcheon. Install the connection kit onto the outlet bush(2) until them against the finished wall, confirm the drain notch of the escutcheon is pointed down. Adjust the connection kit and make sure the outlet(7) downwards.

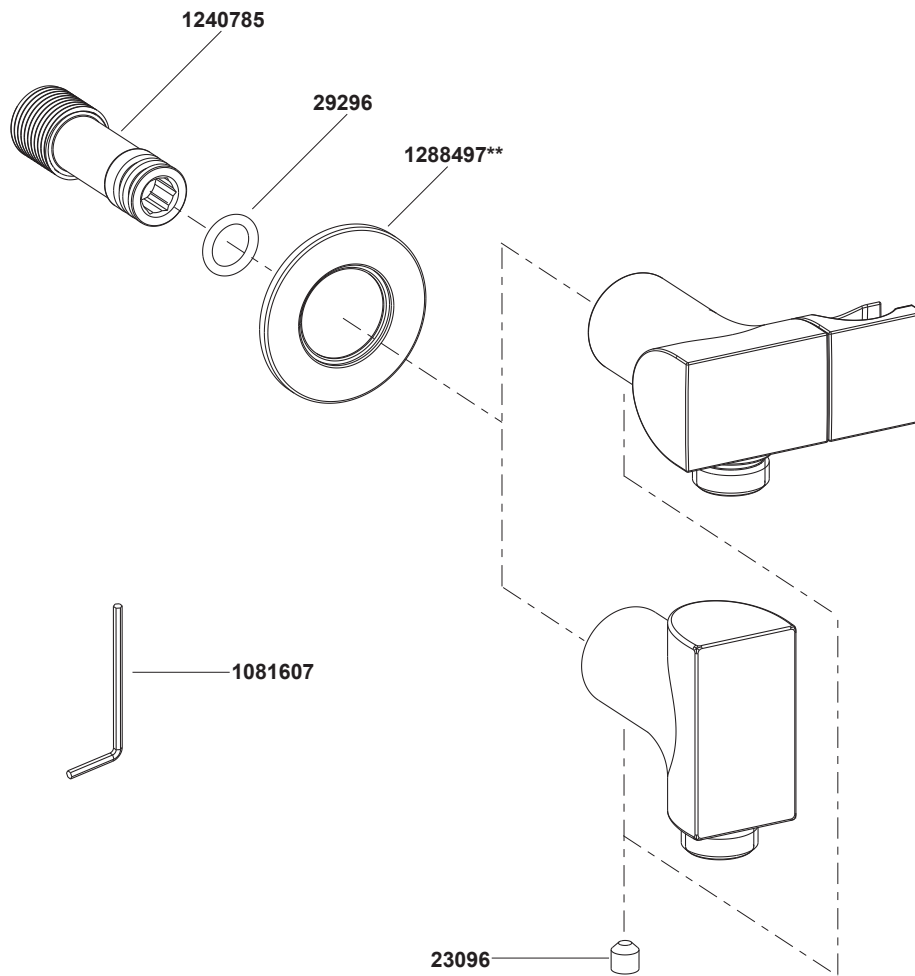
Tighten the screw(5) in the bottom of the kit by the hex wrench(3). Remove any excess putty or sealant.

CLEANING INSTRUCTIONS

All Finishes: Clean the finish with mild soap and warm water. Wipe entire surface completely dry with clean soft cloth. Many cleaners may contain chemicals, such as ammonia, chlorine, toilet cleaner etc, which could adversely affect the finish and are not recommended for cleaning.

Do not use abrasive cleaners or solvents on Kohler faucets and fittings.

SERVICE PARTS



**Color code must be specified when ordering