


BEFORE YOU BEGIN

- Before you install your shower door, please read these instructions carefully to familiarize yourself with the required tools, materials, and installation sequences. Follow the sections that pertain to your particular installation. This will help you avoid costly mistakes. In addition to proper installation, read all operating and safety instructions.
- All information is based on the latest product information available at the time of publication. Kohler China Ltd. reserves the right to make changes in product characteristics, packaging, or availability at any time without notice.
- These instructions contain important care, cleaning, and warranty information-**please leave these instructions for the consumer.**
- Make sure that the bath and the finished wall material are completely and correctly installed prior to installing your shower door. Prepare waterproof layer to wall and floor of the showering area. It is not allowed for any presence of electric switches and sockets. Make sure the floor drain runs smoothly.
- Before starting the door installation, lay out and identify all the parts. Use the exploded view illustrated on page 3 for reference.
- For the installation method of customized shower with different dimensions, please refer to this instructions.


 **CAUTION: Risk of injury or product damage.**
Tempered glass cannot be cut, drilled or knocked by hard object. Make sure corner area of the glass refraining from knocking so as to cause personal injury due to broken glass.

ATTENTION: Please install this door on Kohler receptors or curbs (Not included). If the curb is not Kohler-branded, please note its top width should be more than 80mm.

IMPORTANT: The shower door requires a flat vertical finished wall. The squareness of the wall is recommended no more than 3 mm/m. KOHLER Company won't take responsibility of the installation quality.

安装之前

- 在您安装淋浴房之前, 请您仔细阅读此说明书以熟悉所需要的工具、材料及安装顺序。遵循适合您的特定安装要求的各项内容, 避免昂贵的损失。除了要正确安装外, 还应阅读所有的操作及安全说明。
- 说明书中所有的资料是按最新出版的产品资料编写而成。科勒中国有限公司保留任何时候无须通知即可改变产品特性、包装或产品可供类型的权利。
- 说明书包括重要的安装、清洁及保养方面的内容, 请把这些资料交给用户阅读, 保管。
- 确保在安装淋浴房之前已经完整正确地安装了浴室和完工墙面材料。淋浴区墙地面应做防水处理, 并不得布置有电器开关、插座。确保地面排水通畅。
- 在进行淋浴房安装之前, 请拿出、排列并确认所有的零部件。请参考第3页上所示的分解图。
- 对尺寸与本标准产品不同的定制淋浴房, 参照本说明书进行安装。

 **警告:** 可能有人伤害或者产品损坏的危险。钢化玻璃不能进行切割, 钻孔或硬物敲击。搬移或安装过程中, 小心确保玻璃边、角部位不受撞击, 以防爆裂伤人。

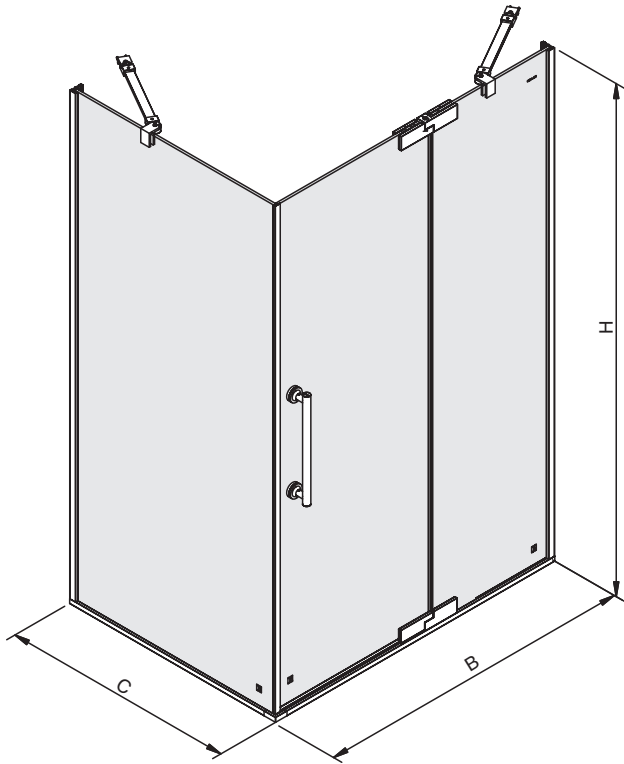
建议: 将本产品安装在科勒淋浴盆或挡水条上(需另行购买)。如自备挡水条, 建议顶面宽度尺寸大于80mm。

重要事项: 淋浴房需要安装在平坦垂直的墙面上。墙面的垂直度推荐在正负3mm/m以内。如果超出此范围, 科勒公司将不保证淋浴房的完美使用。

ROUGHING-IN

尺寸图

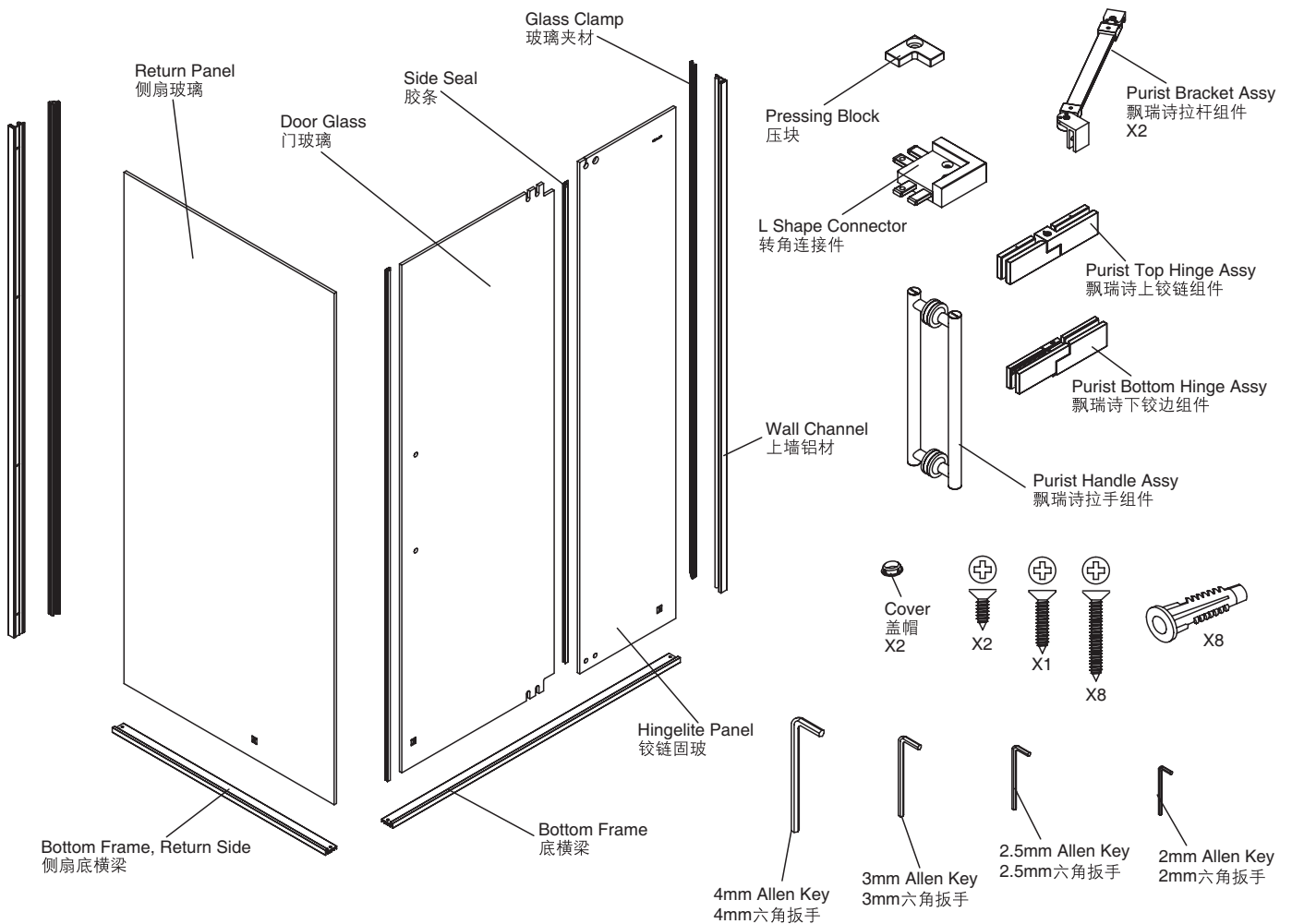
Unit: mm
单位: 毫米



| SKU | B | C | H |
|----------|----------|----------|-----------|
| K-99169T | 900-1600 | 250-1100 | 1850-2000 |

PARTS IDENTIFICATION

零件识别



INSTALLATION REQUIREMENTS

安装要求

Tools Required

- Phillips Screwdriver
- Pencil
- Caulk Gun
- Measuring Tape
- Safety Glasses
- Center Punch
- Hammer
- Knife
- Masonry Drill & 6mm Drill Bit
- Level

所需工具

- 十字螺丝刀
- 铅笔
- 硅胶枪
- 卷尺
- 护目镜
- 中心冲
- 锤子
- 刀片
- 冲击钻以及6mm冲击钻头
- 水平仪

Materials Required

- Drop Cloth
- Tape
- Silicone Sealant

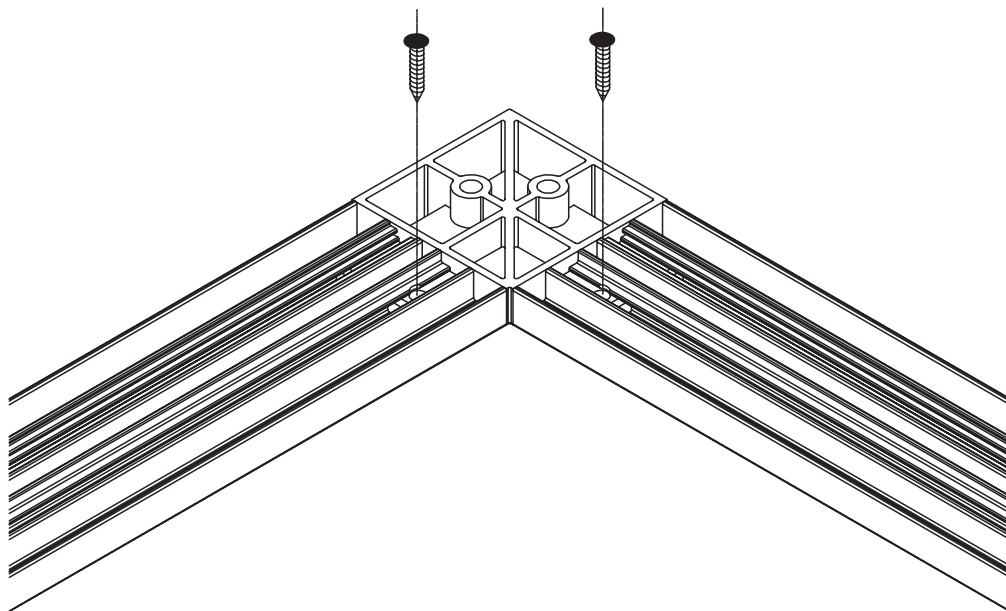
所需材料

- 绒布
- 胶带
- 硅胶

INSTALLATION

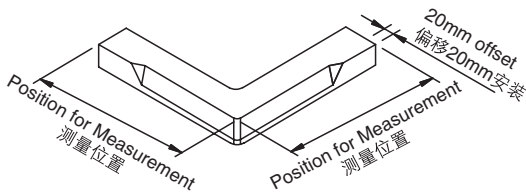
安装

Connect the two bottom frames with corner blocks.
用转角连接块将两根底横梁连接起来。

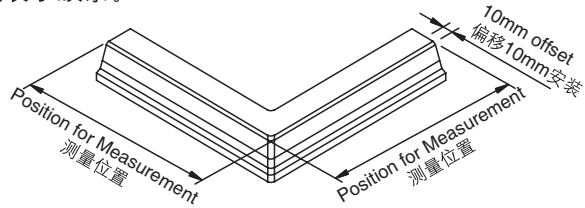


STEP
1

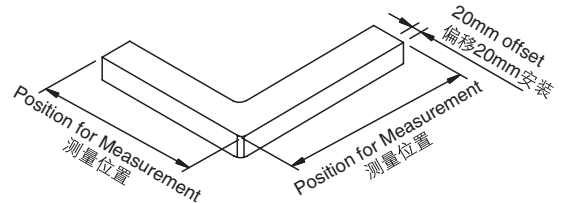
Pre-install the bottom rail with seals and then put it onto the threshold.
 将下横梁放在挡水条上。之前请先确认横梁已经预装了胶条。



Kohler simple water divider
科勒简单型挡水条



Kohler classic water divider
科勒经典型挡水条

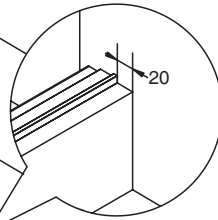


Common water divider used by customer
客户普通型挡水条

IMPORTANT:

Tray must be level in all planes or door will not install properly.

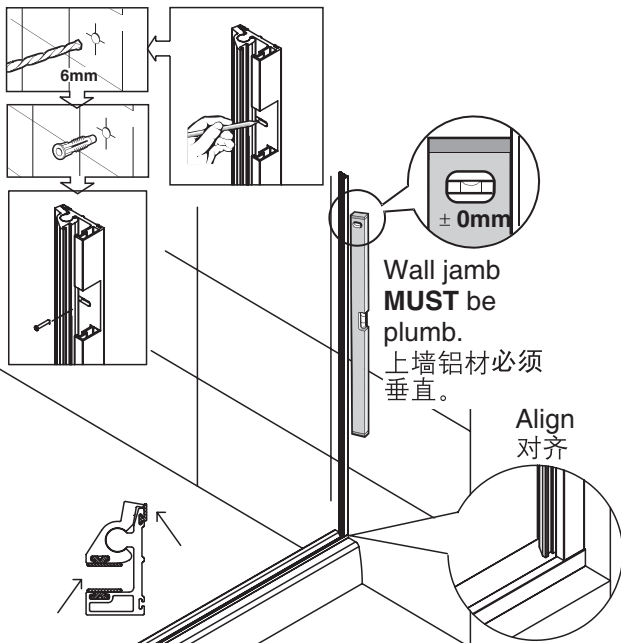
重要：
底盘必须在各个面都保持水平，否则会影响之后淋浴房的安装。



This instruction is based on simple water divider of Kohler brand, which is installed with 20mm offset. You may choose and adjust its width as desired.
 本说明书以科勒简单型挡水条为安装基准，偏移20mm安装。客户可根据实际选择挡水条宽度，进行调整。

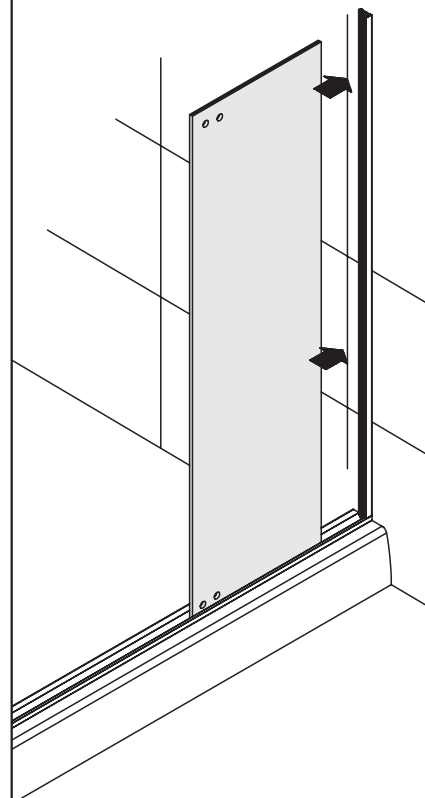
STEP
2

Pre-install seals onto the wall channel and then fix it.
 安装上墙铝材。之前请先确认铝材已经预装了胶条。



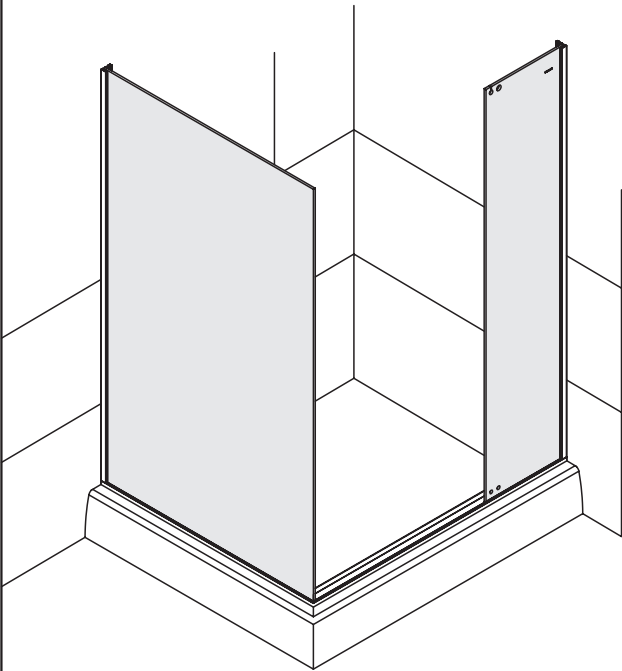
STEP
3

Insert the hingelite panel into the wall channel.
 将铰链固定玻璃插入上墙铝材内。



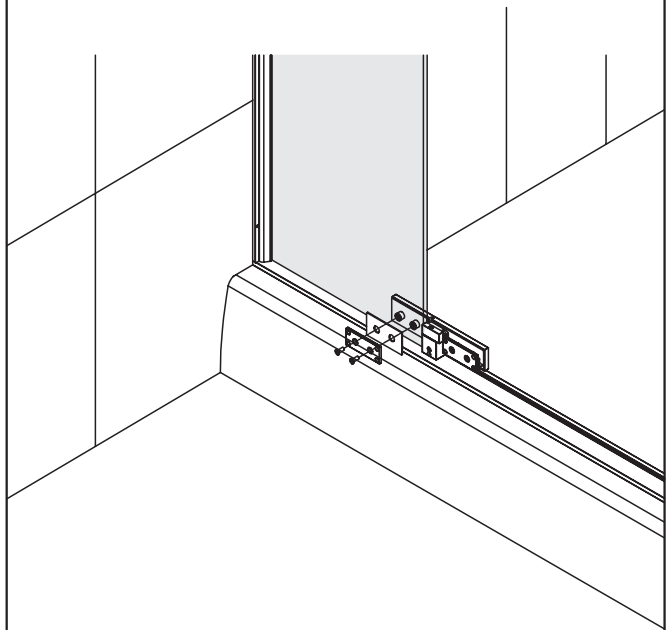
STEP
4

Fix the wall channel and glass on the other side by following the same steps.
同样地步骤安装另一侧的墙材及玻璃。



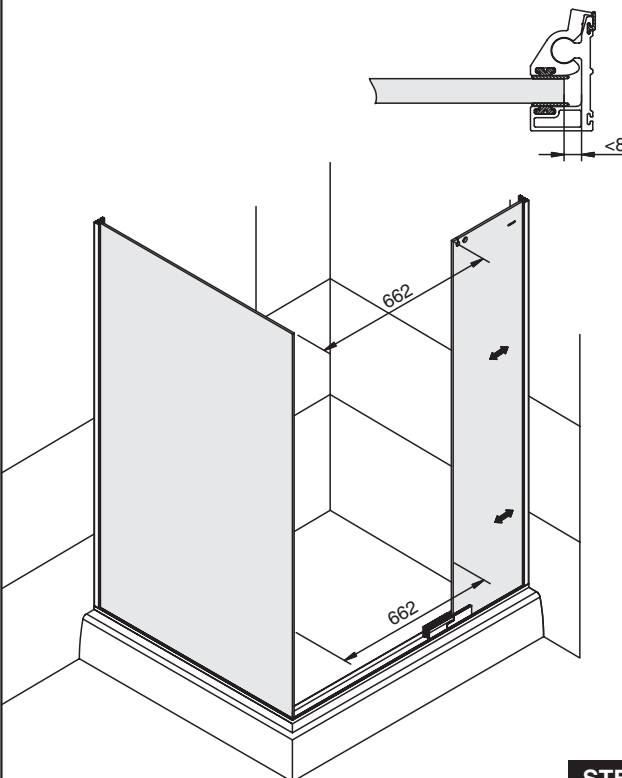
STEP
5

Fix the bottom hinge onto the side panel.
将下铰链安装到固定玻璃上。



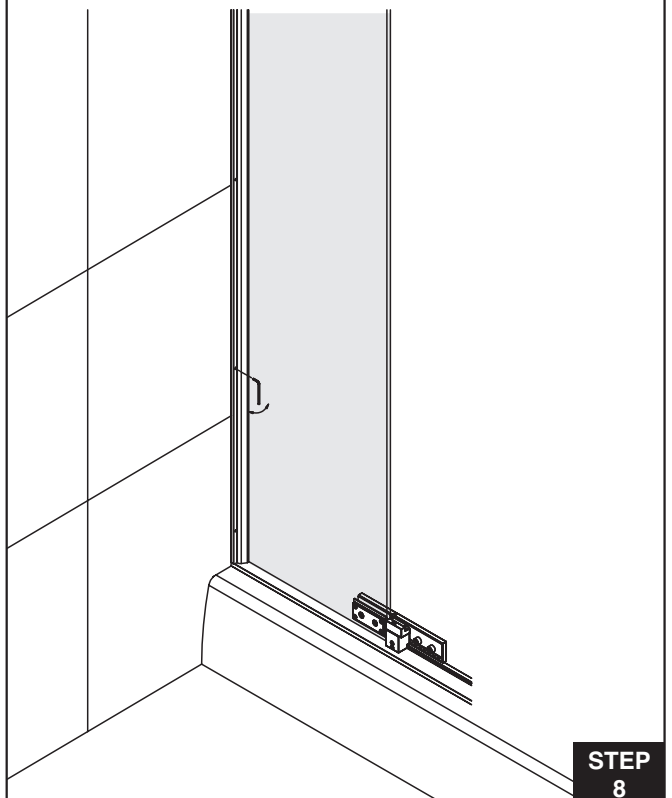
STEP
6

Adjust the side panel to make it about 662mm apart from the wall channel.
调节固定玻璃，使玻璃及铝材间的距离大概为662mm。



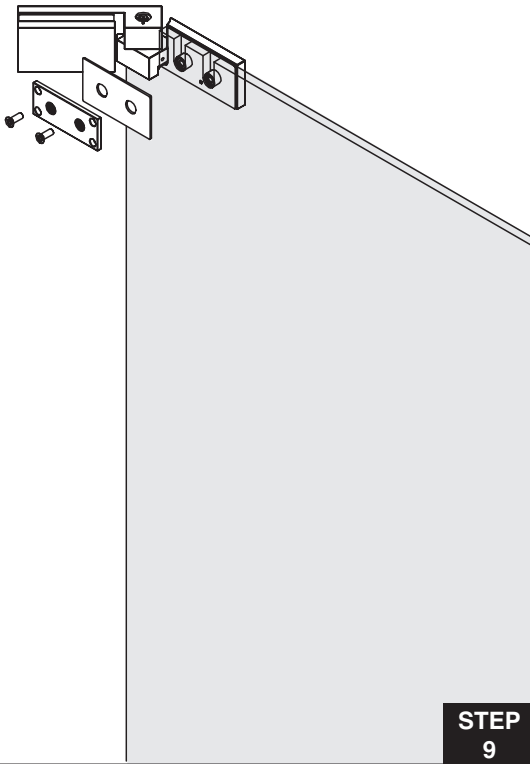
STEP
7

Tighten the screws of the wall channels and clamp the side panels.
锁紧左右墙材的螺丝，将固定玻璃夹紧。



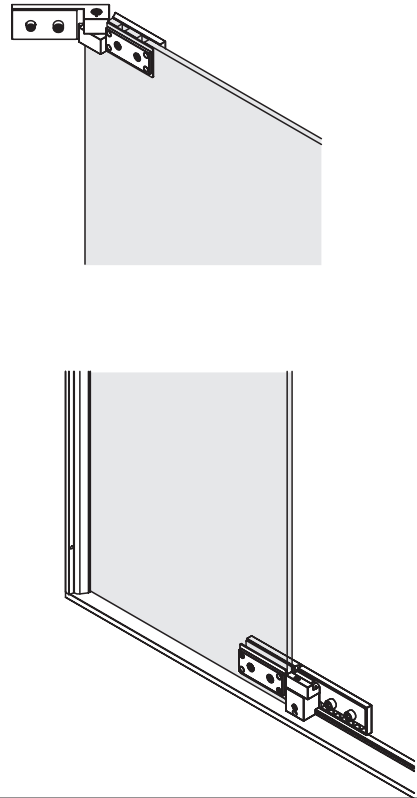
STEP
8

Fix the upper hinge onto the door glass.
将上铰链固定到门玻璃上。



STEP 9

Remove the upper and bottom hinge covers and the clamp plates.
卸下上下铰链盖及压板。



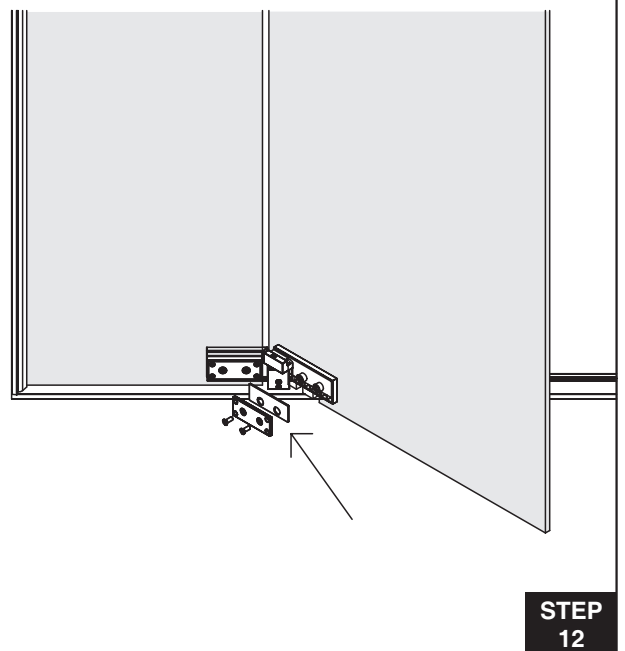
STEP 10

Lift the door glass and insert into the bottom hinge.
将门玻璃抬起，插入下铰链里。



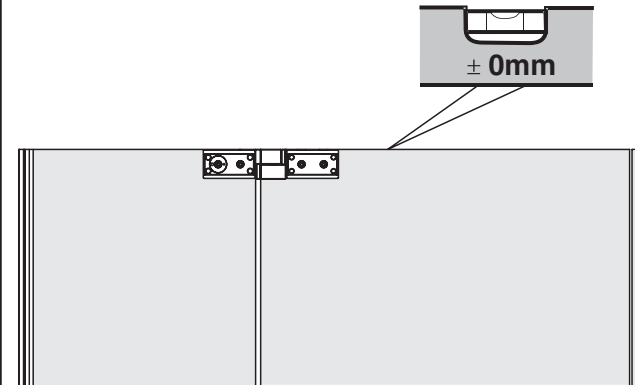
STEP 11

Fix the clamp plate into the bottom hinge to tightly clip the glass. Pay attention to the direction of the rubber gasket.
将压片安装到下铰链，锁紧压住玻璃。注意橡胶垫片的方向。



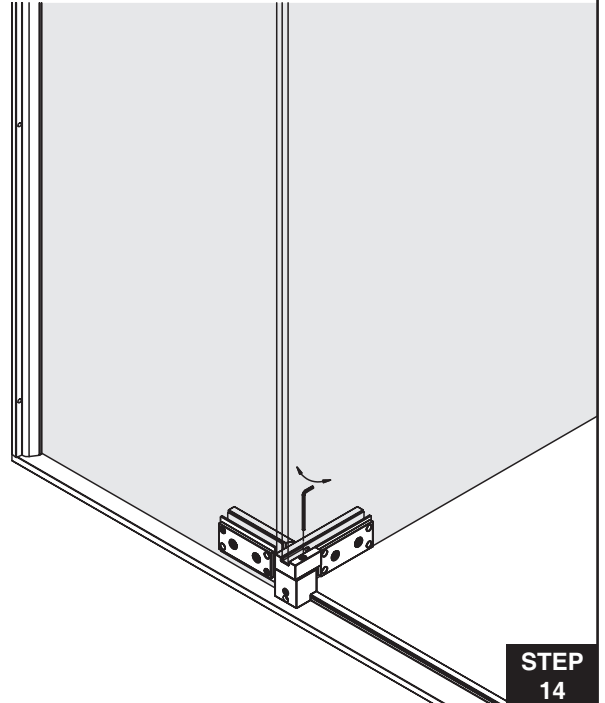
STEP 12

Fix the upper clamp plate. Adjust the rollers to make the door glass level. Tighten the clamp plate.
 安装上铰链压片，调节凸轮使门玻璃水平，锁紧压片。



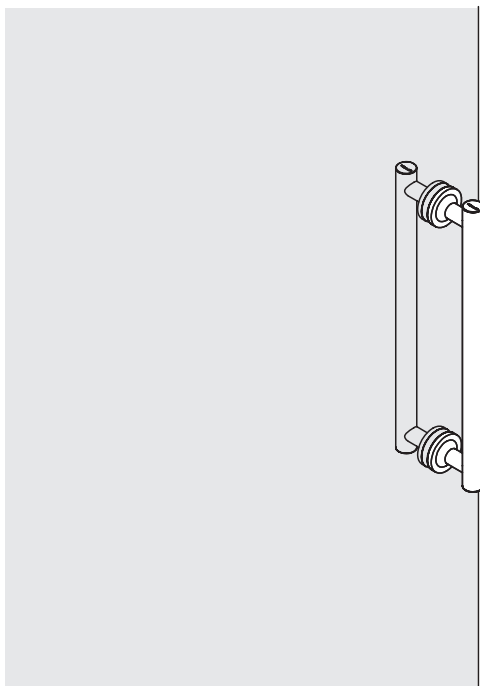
STEP
13

If 90 degree is not suitable, please turn the set screw slightly and try again.
 如果90度定位不是很灵敏，可以稍微旋紧定位螺丝后，再试试。



STEP
14

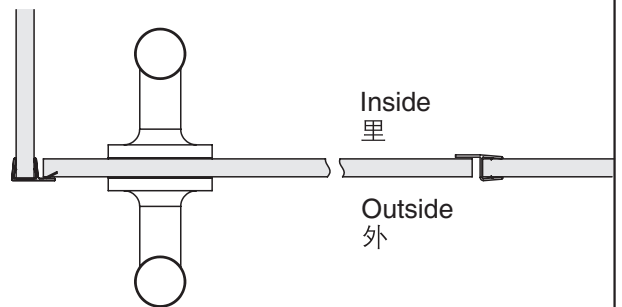
Install door handle.
 安装门把手。



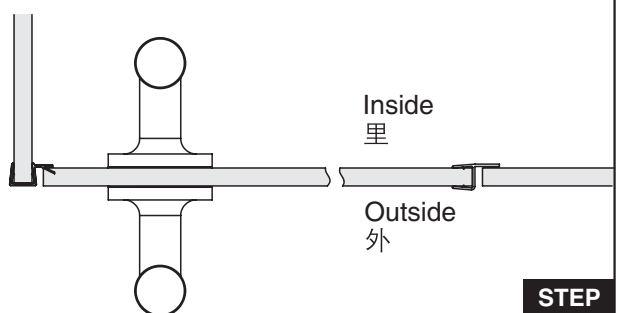
STEP
15

Fix door seal and side seal.
 安装门边胶条及侧边胶条。

Inward-opening door
 内开门

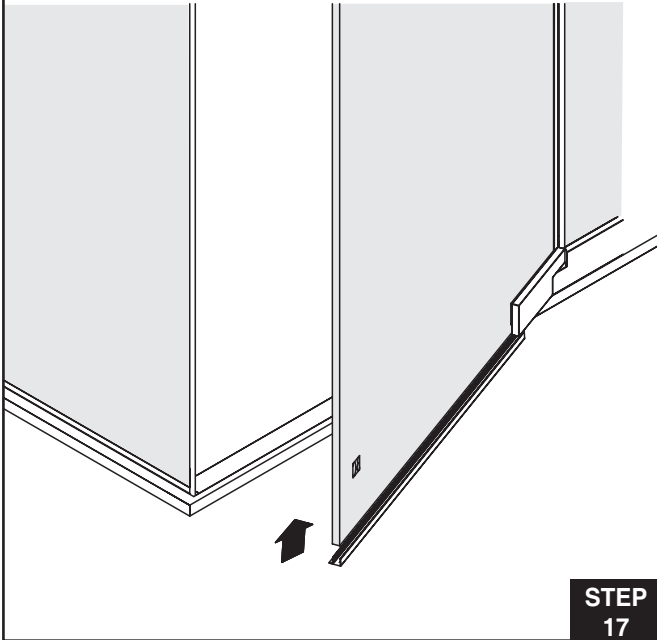


Outward-opening door
 外开门



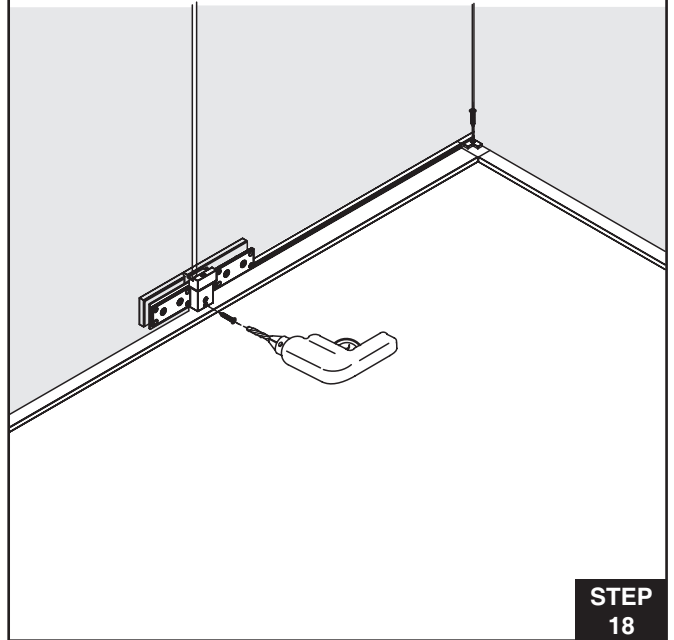
STEP
16

Fix bottom seal.
安装底边胶条。



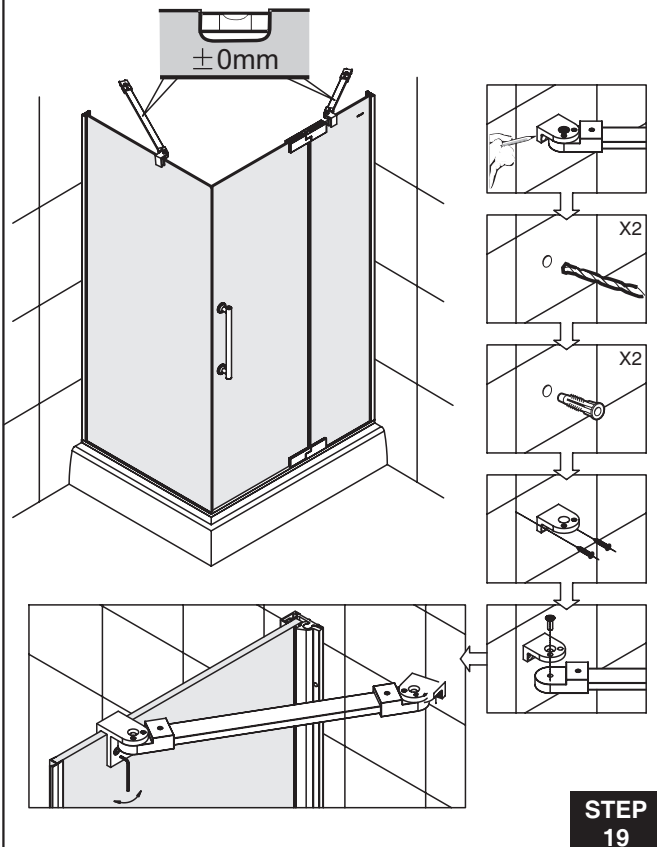
STEP
17

Drill a $\Phi 3.3$ hole. Fix the bottom hinge to the bottom panel. Loosen one screw on the L-shaped connecting block and fix the side panel block onto it.
使用 $\Phi 3.3$ 的钻头配钻孔位，将下铰链固定到下横梁上。松开L型连接块上的一颗螺丝，将固玻压块固定到上面。



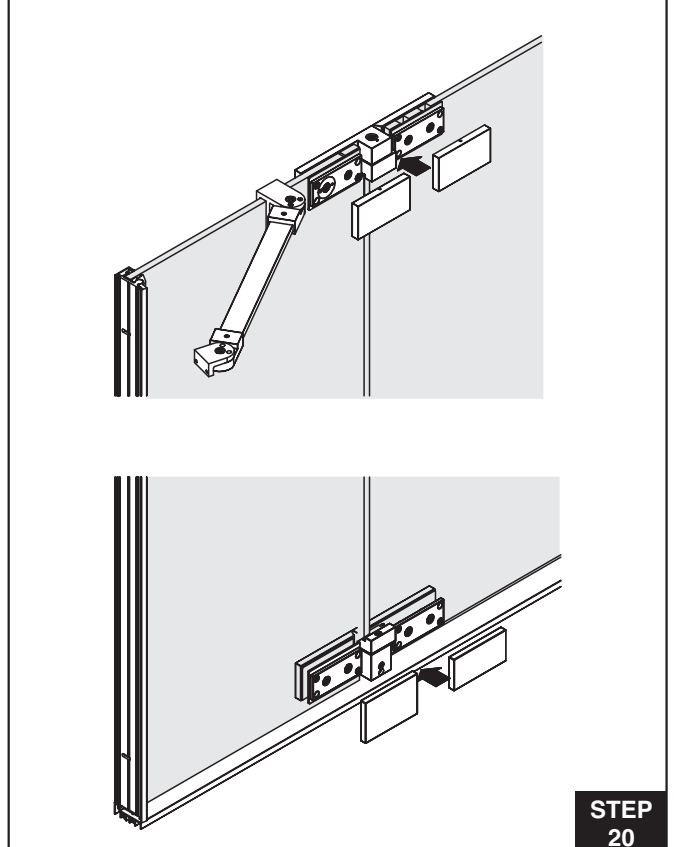
STEP
18

Adjust to a proper angle and install the handle.
调节适合角度，安装拉杆。



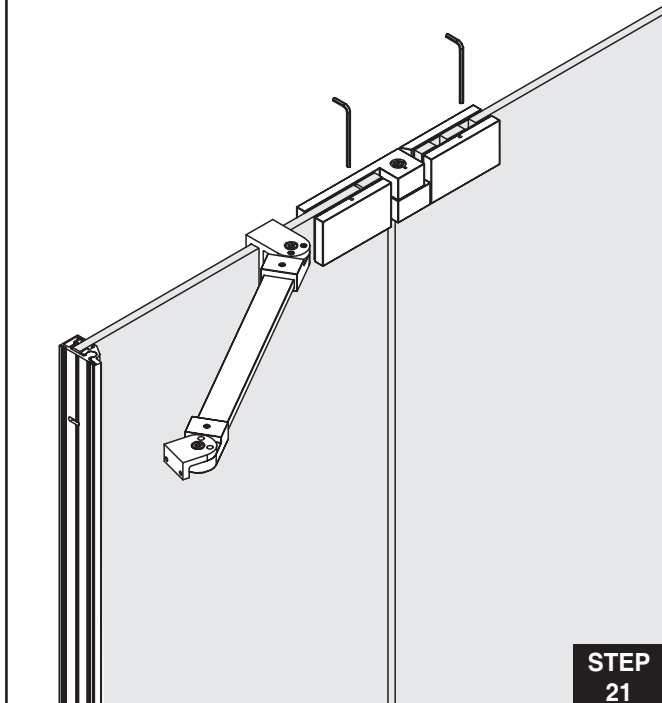
STEP
19

Fix upper and bottom hinge covers.
安装上下铰链盖。

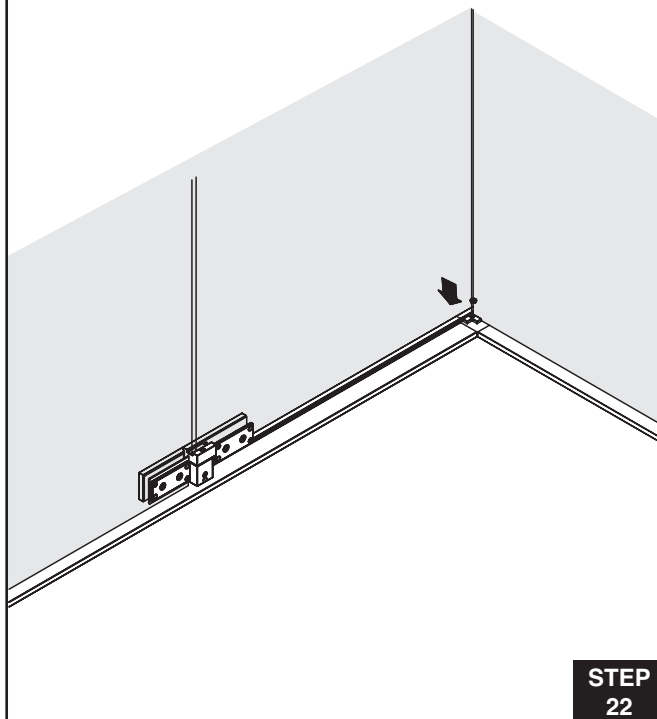


STEP
20

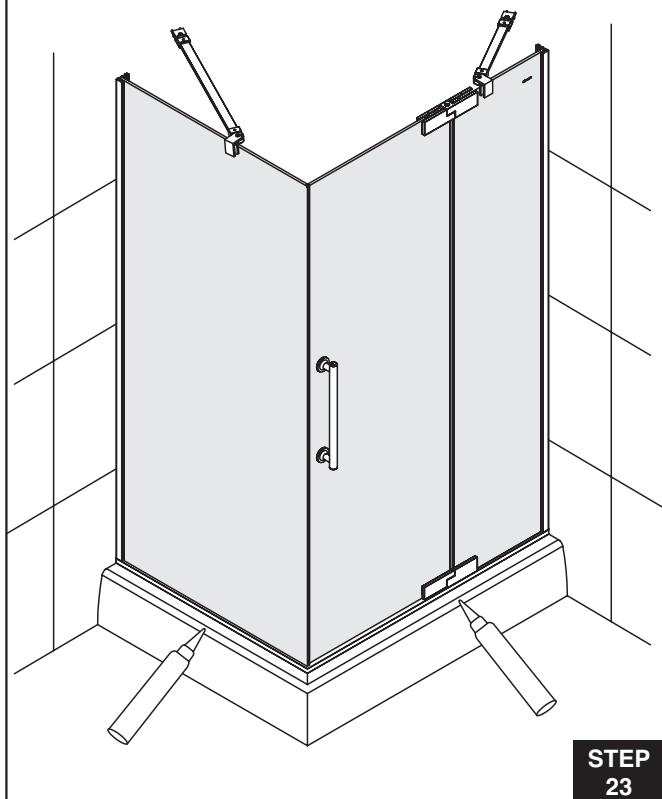
Tighten the upper and bottom hinge covers by tightening the screw.
锁紧螺丝将上下铰链盖顶紧。



Fix other decorative covers.
安装其他装饰盖。



Apply a thin layer of silicone sealant on the bottom frame.
下横梁处涂上一层薄的防水胶。



Do not use the enclosure for at least 24 hours.
安装后24小时内请勿使用淋浴房。



STEP
24