

## BEFORE YOU BEGIN

- Please read these instructions carefully to familiarize yourself with the required tools, materials, and installation sequences. Follow the sections that pertain to your particular installation. This will help you avoid costly mistakes. In addition to proper installation, read all operating and safety instructions.
- All information in these instructions is based upon the latest product information available at the time of publication. Kohler China reserves the right to make changes in product characteristics, packaging, or availability at any time without notice.
- These instructions contain important care, cleaning, and warranty information-**please leave instructions for the consumer.**

## 安装之前

- 请仔细阅读说明书，熟悉所需工具、材料和安装顺序，参照相关章节完成您所需的安装，以避免昂贵的损失，除了正确的安装外，请详阅所有的操作和安全说明。
- 本说明书所含的一切资料均以印刷时所有的最新产品为准，科勒中国保留权利随时更改产品特性、包装或供应情况，恕不另行通知。
- 本说明书也包含了有关保养、清洁及产品担保等重要信息-请交予用户保存。

## ORDERING INFORMATION

OVE WF Toilet (HT100 MEC IWT).....	K-25217T-S2
Includes OVE Wall Faced PAN.....	K-19965T-2
Includes ODEON In-Wall Tank without Iron Rack.....	K-6286T-VES2
Includes Seat.....	K-2552A
Includes P trap.....	1138552
Includes S trap(Optional).....	1241939
OVE WF Toilet (BEAM M FV).....	K-22962T-GS2
Includes Bowl.....	K-21857T-GS2
Includes BEAM Manual Toilet/Squat Flush Valve.....	K-77682K-G
Includes Seat.....	K-2552A
OVE WF Toilet (BEAM SR D/CP).....	K-22960T-CPS2
Includes Bowl.....	K-22963T-DPS2
Includes BEAM Toilet Sensor (DC).....	K-30947T-CP
Includes Seat.....	K-2552A
OVE WF Toilet (BEAM SR D/BN).....	K-22960T-BNS2
Includes Bowl.....	K-22963T-DNS2
Includes BEAM Toilet Sensor (DC).....	K-30947T-BN
Includes Seat.....	K-2552A
OVE WF Toilet (BEAM SR A/CP).....	K-22961T-CPS2
Includes Bowl.....	K-22963T-APS2
Includes BEAM Toilet Sensor (AC).....	K-30948T-CP
Includes Seat.....	K-2552A
OVE WF Toilet (BEAM SR A/BN).....	K-22961T-BNS2
Includes Bowl.....	K-22963T-ANS2
Includes BEAM Toilet Sensor (AC).....	K-30948T-BN
Includes Seat.....	K-2552A

## 订购信息

欧芙落地式座便器(海德丽100机械水箱).....	K-25217T-S2
含缸体.....	K-19965T-2
含奥帝安入墙式隐藏水箱 (无铁架).....	K-6286T-VES2
含盖板.....	K-2552A
含P弯管.....	1138552
含S弯管(选配).....	1241939
欧芙落地式座便器(柏明手动冲水阀).....	K-22962T-GS2
含缸体.....	K-21857T-GS2
含柏明手动 冲水阀.....	K-77682K-G
含盖板.....	K-2552A
欧芙落地式座便器(柏明感应器,直流).....	K-22960T-CPS2
含缸体.....	K-22963T-DPS2
含柏明感应冲洗器.....	K-30947T-CP
含盖板.....	K-2552A
欧芙落地式座便器(柏明感应器,直流/罗曼银).....	K-22960T-BNS2
含缸体.....	K-22963T-DNS2
含柏明感应冲洗器.....	K-30947T-BN
含盖板.....	K-2552A
欧芙落地式座便器(柏明感应器,交流).....	K-22961T-CPS2
含缸体.....	K-22963T-APS2
含柏明感应冲洗器.....	K-30948T-CP
含盖板.....	K-2552A
欧芙落地式座便器(柏明感应器,交流/罗曼银).....	K-22961T-BNS2
含缸体.....	K-22963T-ANS2
含柏明感应冲洗器.....	K-30948T-BN
含盖板.....	K-2552A

## NOTES

- Observe all local plumbing and building codes.
- Shut off the water supply.
- Seat post holes are on 160mm centers.
- Passageways is 63mm.
- Ensure have the correct roughing-in dimensions. **See Fig.#1.**
- Be very careful while working with vitreous china products. Vitreous china can break or chip if the bolts or nuts are overtightened, or if carelessly handled.
- Carefully inspect the new bowl for any sign of damage.
- Fixture dimensions are nominal and conform to tolerances established by ASME Standards (A112.19.2-2018).
- This product complies with GB 25502-2017. Water Efficiency Grade 2 for K-25217T-S2/K-22960T-CPS2/K-22960T-BNS2/K-22961T-CPS2/K-22961T-BNS2. Water Efficiency Grade 3 for K-22962T-GS2.

## 注意

- 请遵守当地所有给排水及建筑规定。
- 关闭供水。
- 座便器盖板孔中心间距为160mm。
- 排污通道为63mm。
- 确保安装尺寸正确，请参阅图1。
- 请小心处理釉面陶瓷产品，因其容易破损和崩裂，故不可把螺栓或螺母上得过紧，且须小心轻放。
- 请仔细检查座便器是否有损坏。
- 部件尺寸为标定值，误差符合美国机械工程师学会标准ASME(A112.19.2-2018)。
- 本产品符合GB 25502-2017。K-25217T-S2/K-22960T-CPS2/K-22960T-BNS2/K-22961T-CPS2/K-22961T-BNS2水效等级2级。K-22962T-GS2水效等级3级。

## TOOLS AND MATERIALS REQUIRED (Not Supplied)

- 254mm adjustable wrench
- Metal file (file cut)
- Tape measure
- Tubing cutter
- Level
- Hacksaw
- Putty knife
- Screwdriver
- Straight pipe coupling
- Connection packing

## 所需工具及材料(不随货供应)

- 254mm活动扳钳
- 锉刀
- 卷尺
- 切管刀
- 水平尺
- 钢锯
- 涂油灰刀
- 螺丝刀
- 连接直管
- 连接组件

## ROUGHING-IN

## 尺寸图

Reference Value  
参考值

Unit: mm  
单位: 毫米

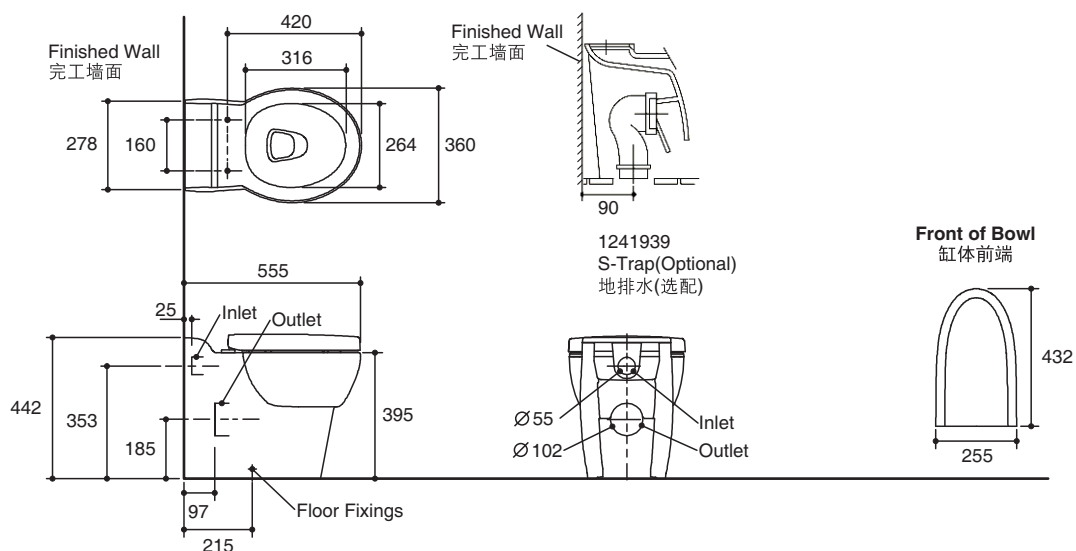


Fig.#1

图1

Kohler reserves the right to change marked dimensions without prior notice.  
科勒公司保留随时变更图中标示尺寸的权利，无需另行通知。

## INSTALLATION

## 安装

### 1. Install Flushing Mechanism

#### 1-1. Install The Tank

- 1) Turn the water supply off before installing the new toilet.
- 2) Install the concealed tank system in wall before decorating the wall.
- 3) Install the tank system per tank's installation instructions.
- 4) Refer to installation instructions of in-wall tank for SKU of faceplate.

### 1. 安装冲水装置

#### 1-1. 隐藏式水箱的安装

- 1) 安装新座便器前先关闭供水。
- 2) 在装饰墙面前先将入墙式水箱系统安装入墙体内。
- 3) 参照水箱安装说明书完成水箱系统的安装。
- 4) 需另配的面板型号请参考水箱说明书。

#### 1-2. Install Manual Valve Or Sensor

Refer to installation instructions of manual valve or sensor for the installation of flushing mechanism.

#### 1-2. 安装手动阀或感应冲洗器

参照手动阀或感应冲洗器的说明书安装冲水装置。

2. After installation of the tank, be careful to set the position for the bowl according to the dimensions.

2. 水箱安装完成后，根据图示尺寸，小心地在墙面上定好座便器的位置。

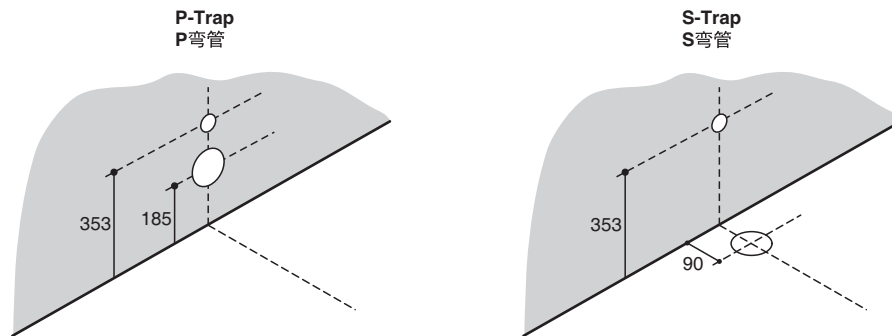


Fig.#2  
图2

3. Position the template on the floor. Tape in place and drill 2 floor mounting holes. Insert anchors.

3. 将模板置于地面并用胶带固定。钻两个安装孔，插入膨胀螺栓。

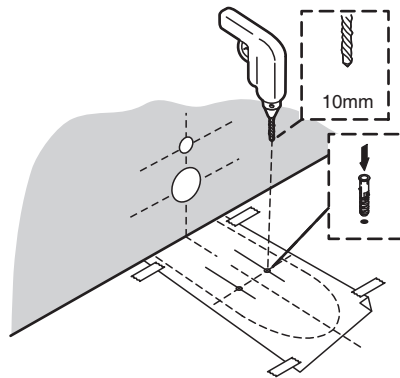


Fig.#3  
图3

4a. Position brackets as shown on the template and install the bracket.

4a. 如图所示，将支架置于模板上，然后安装支架。

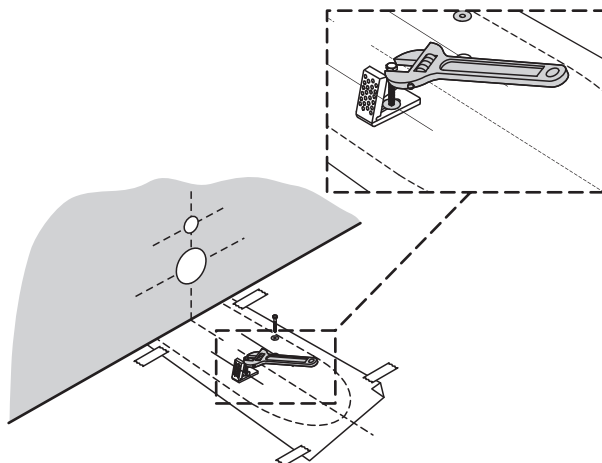


Fig.#4a  
图4a

4b. Fit flush pipe connector and gasket to the flush pipe inlet on the toilet. Fit the waste pipe connector and gasket to the waste pipe outlet on the toilet.

4b. 将进水管接头和垫圈安装于座便器上的进水管入口。将排污管接头和垫圈安装于座便器上的排污管出口。

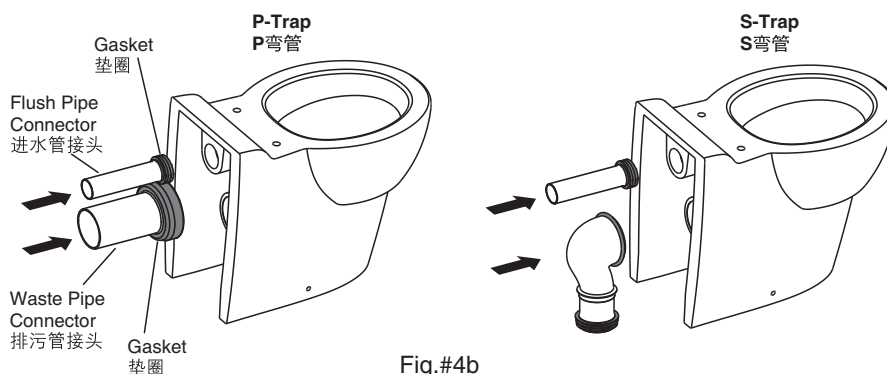


Fig.#4b  
图4b

5. Install the inlet pipe to the lavatory as shown, and mark on the pipes at the back side of the bowl with a ruler and a pencil, and reserve appropriate space according to the distance from the back of the bowl to the inlet hole on the wall.

5. 按图将排污管、进水管装在座便器上，用直尺放在座便器后面的排污管、进水管用铅笔作标记。再根据座便器后面到墙壁排污头的实际情况作预留距离。

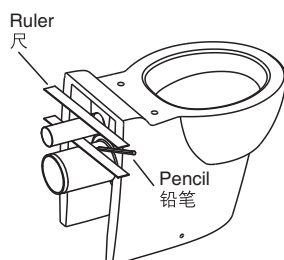


Fig.#5  
图5

6. Eliminate unwanted part of the inlet pipe according to the marks of reserved space ,and rasp a smooth surface with files.

6. 如图在排污管、进水管已作标记的后端预留的位置上将多余部分锯掉。然后再用锉刀将锯掉的面锉平整并倒角。

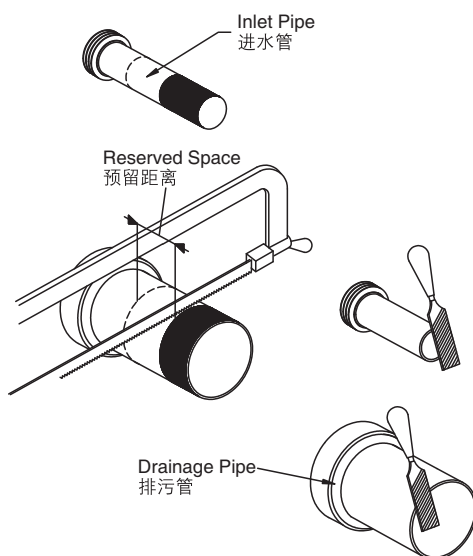


Fig.#6  
图6

7. Apply mild soap and water around the gasket. Position the bowl over the floor fixings and connect the waste pipe.

7. 在垫圈四周涂上温和的皂液和清水。将座便器置于地面，连接排水管。

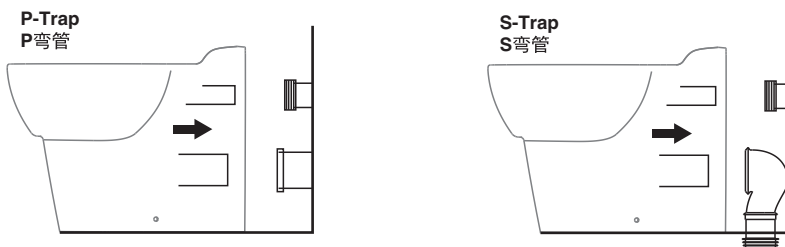


Fig.#7  
图7

8. Carefully thread the screws into the brackets, until toilet is secure. Alternately tighten left and right sides to prevent pulling the toilet off center.

8. 小心地将螺丝穿过地脚支架直至座便器稳固。交替拧紧左右螺丝，以防止座便器脱离中心。

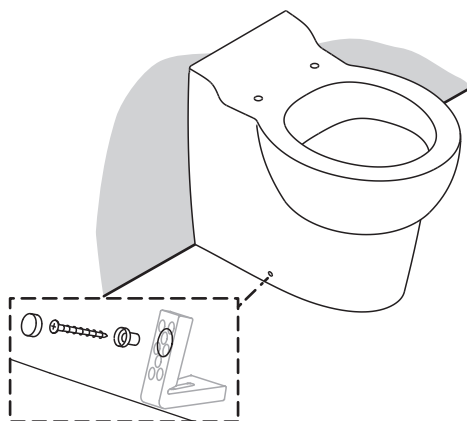


Fig.#8  
图8

9. Apply silicone around base.

9. 在座便器底部四周涂上硅胶。

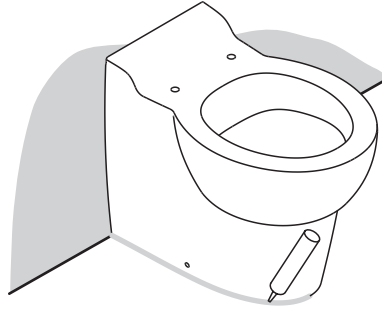


Fig.#9  
图9

10. Install the seat.

10. 安装盖板。

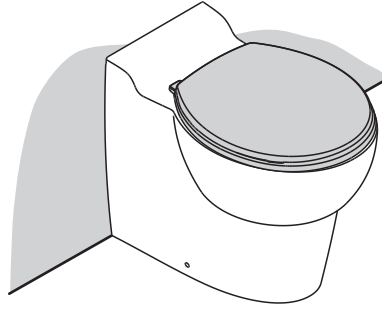


Fig.#10  
图10

## IMPORTANT CONSUMER INFORMATION 用户须知

### CONSUMER RESPONSIBILITIES

If you live in a hard water area, make certain that the holes in the toilet rim are kept clean to ensure proper bowl flushing. Toilet bowl cleaners should be used at least once a week. Use a long-handled brush to clean the rim holes, and to clean as far into the trap as possible to prevent mineral deposits from forming.

Most toilet bowl cleaners are not harmful to the vitreous china surface of the toilet bowl. Please follow the bowl cleaner manufacturers instructions carefully.

Do not use abrasive cleaners or solvents.

**⚠ WARNING: Risk of property or product damage.**  
Do not use in-tank cleaners. Products containing chlorine (calcium hypochlorite) can seriously damage fittings in the tank. This damage can cause leakage and property damage.

Kohler Company shall not be responsible or liable for any damage to these tank fittings caused by the use of cleaners containing chlorine (calcium hypochlorite).

**⚠ CAUTION: Don't use any cement while installing the toilet.** Heat expansion of the toilet may damage the feet of the toilet. Kohler will not be responsible for any damage because of using cement.

**⚠ WARNING: Risk of product damage.**  
Do not throw into the toilet what is easy to block it, such as newspaper, paper pilch, sanitary towel. Do not bump the vitreous china with great force to prevent it from damaging and leaking. Do not use the product in the water below 0°C.

**⚠ CAUTION:** Please do not use hard materials (like scouring pad) to clean product surface, especially the product logo.

### 用户责任

如果你居住地方的水质是硬性，你必须保持冲水孔清洁，以确保座便器冲水正常。每星期应最少使用座便器清洁剂清洁一次，用长把手的刷子清洁冲水孔，并尽量伸入排污管洗刷，防止矿物质积聚。

大多数的座便器清洁剂对座便器釉面陶瓷是没有害的，请认真遵循座便器清洁剂制造商的指示来操作。

请勿使用腐蚀性清洁剂或溶剂。

**⚠ 警告：提防楼宇受损或损坏产品。** 请勿使用水箱内用清洁剂。含氯（次氯酸钙）的清洁剂会严重破坏水箱配件，从而引起渗漏，或对楼宇结构造成损坏。

科勒公司对此类因使用氯（次氯酸钙）而引致的水箱配件损毁，概不负责。

**⚠ 警告：在安装本座便器时切勿使用任何水泥。** 因为水泥的热膨胀可能使座便器的脚部挤破或损坏。科勒对所有因为水泥安装而引起的座便器破裂恕不负责。


**⚠ 警告：提防损坏产品。**  
请不要向便器内冲入新闻纸、纸尿裤、妇用卫生巾等容易堵塞的物品。  
请不要用重力撞击陶瓷，以防止破损漏水。

不要在0°C以下的水环境中使用。

**⚠ 警告：**请勿使用钢丝球等硬质材料擦洗产品表面，特别是产品商标处。

### BEFORE YOU BEGIN

- Congratulation on your purchase of this high quality Bathroom Accessory. Before proceeding with the installation, please carefully read this installation instruction in order to ensure proper care and assembly of this accessory.
- Please keep this installation instruction for future reference.


 Prior to drilling into walls, check there are no hidden electrical wires, cables or water supply pipes with the aid of an electronic detector. If you use power tools do not forget:

1. Wear eye protection.
2. Unplug equipment after use.

### 安装之前

- 首先恭喜您购买到了高档的卫浴产品，为了使您正确保护和组装产品，在您安装之前请仔细阅读此说明书。

- 请保留此说明书以备参考。

 警示：在钻孔之前，请借助电子探测仪确认墙内是否有电源线，通讯光缆或者水管之类的东西。如果使用电钻的话请勿忘记以下两点：

1. 请戴上防护镜。
2. 用完设备后关掉电源。

### TOOLS AND ACCESSORIES

### 工具及配件



Drill  
电钻



Leveling Instrument  
水平尺



Screw Driver  
螺丝刀



Tape  
卷尺



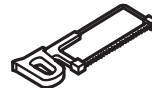
Hammer  
锤子



Wrench  
扳手



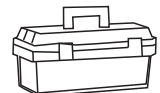
Screw X9  
螺钉9个



Saw  
手工锯



1.5mm Hex Wrench  
1.5mm六角扳手



G1 Screw Die Machine  
G1的手动扳牙机

### ROUGHING-IN

### 尺寸图

Reference Value  
参考值

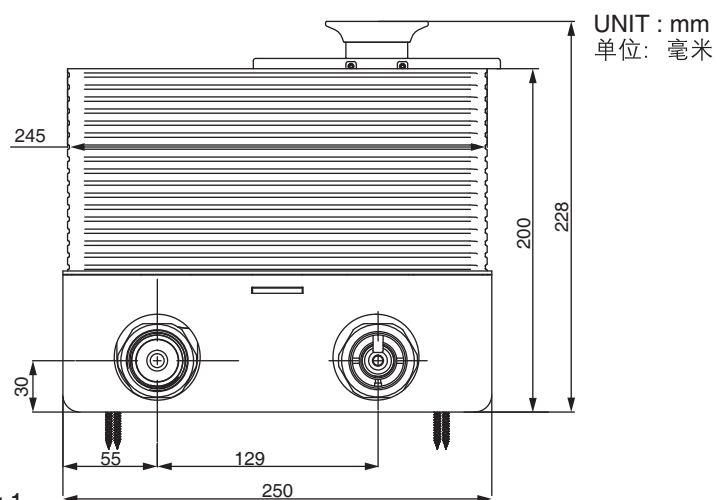
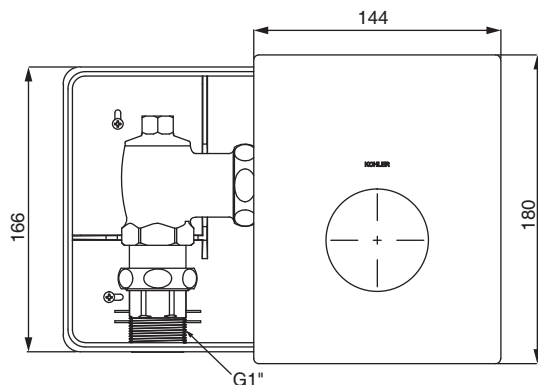


Fig.1  
图1

Kohler reserves the right to change marked dimensions without prior notice.  
科勒公司保留随时变更图中标示尺寸的权利，无需另行通知。

KOHLER CHINA INVESTMENT CO., LTD NO.158, JIANG CHANG SAN ROAD,  
JING'AN DISTRICT, SHANGHAI, PRC POST CODE: 200436  
科勒(中国)投资有限公司 上海市静安区江场三路158号 邮编: 200436



## SPECIFICATIONS

## 规格

SKU	K-77681K-G/K-77682K-G/K-77683K-G
Flush Volume 冲水量	4.5L, 6L, 3.5L
Minimum Water Pressure 最低水压	0.05mpa(Dynamic Pressure 动压)
Maximum Water Pressure 最高水压	0.75mpa(Static Pressure 静压)
Water Temperature 工作水温	1°C~50°C

Note: Only K-77682K-G(6L) can match Bardon squat (K-20441T/K-20441T/K-20441T)  
 注意: 仅K-77682K-G(6L)可匹配6L巴尔顿蹲便器(K-20441T/K-20441T/K-20441T)

## INSTALLATION

## 安装

### 1. Drill wall

### 1. 凿毛坯墙施工法

Draw lines and drill the wall according to Fig.2. The horizontal distance between the bottom of plate and the surface of squat pan is advised to be 1200mm, and the horizontal distance between the bottom of plate and toilet cover is advised to be 600mm. Depth can be adjusted as desired.

根据下图2在毛坯墙上画线，并按尺寸开凿毛坯墙。建议安装面板底部与蹲便器陶瓷面之间的水平距离为1200mm，与座便器盖板之间的水平距离为600mm。深度请客户根据实际情况调整。

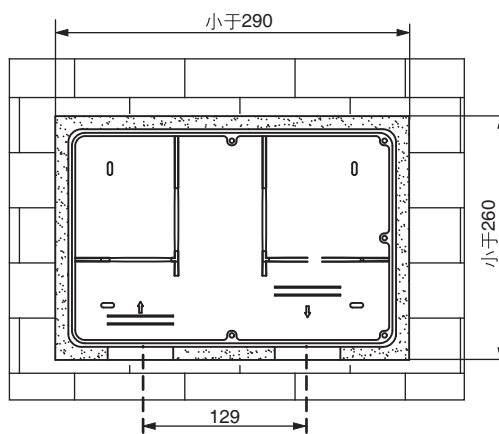


Fig.2  
图2

### 2. Fix box

### 2. 固定盒子

- Insert the box as shown in Fig.3. Adjust and fix the box with 4 screws.
- Cut the inlet and outlet pipes as shown (G1 female thread for inlet pipe)

- 按图3嵌入盒子，调整其位置后，使用4个螺钉固定。
- 按盒子标识线切割进、出水管(进水管为G1内螺纹)。

**Note:** The inlet and outlet pipes shall be cut level and clean and ensure its proper vertical and horizontal level.

注意：切割后的进、出水管需保证端面平整、光洁、水平度和垂直度。

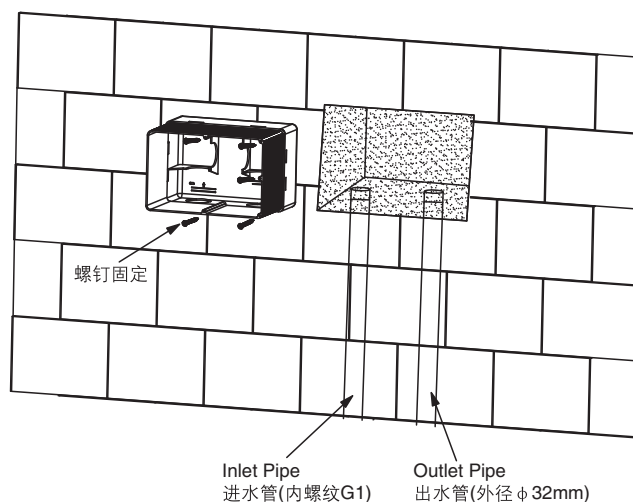


Fig.3  
图3



### 3. Cut box

Cut the excessive part of the box as shown.

### 3. 切割盒子

如图所示：切除盒子凸出墙面部分。

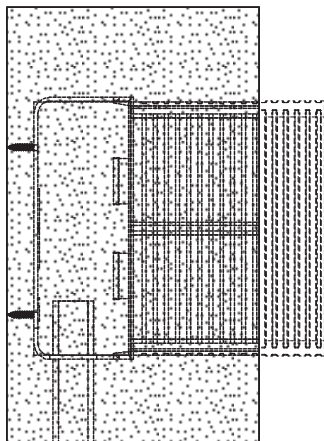


Fig.4  
图4

### 4. Install valve assembly

Fix valve assembly onto inlet and outlet pipes with wrench as shown in Fig.5.

#### Fix onto inlet pipe

- Process inlet pipe thread and fix inlet pipe connector.
- Put seal onto the nut.
- Tighten valve assembly and inlet connector with wrench.

#### Fix onto outlet pipe

- Put nut and seal onto outlet pipe.
- Tighten valve assembly and outlet connector with wrench.

**Note:** Clean waste in the supply pipe before fixing inlet pipe.

### 4. 安装阀体组

根据图5所示，将阀体组用扳手安装在进水管上。

#### 进水端安装

- 加工进水管螺纹，并安装进水管接头组；
- 将垫片放入螺母内；
- 用扳手锁紧阀体组与进水接头。

#### 出水端安装

- 将出水螺母、锥形垫片套入出水管外；
- 用扳手锁紧阀体组与出水接头。

**注意：**安装进水管前，请将供水管内的污垢清理干净。

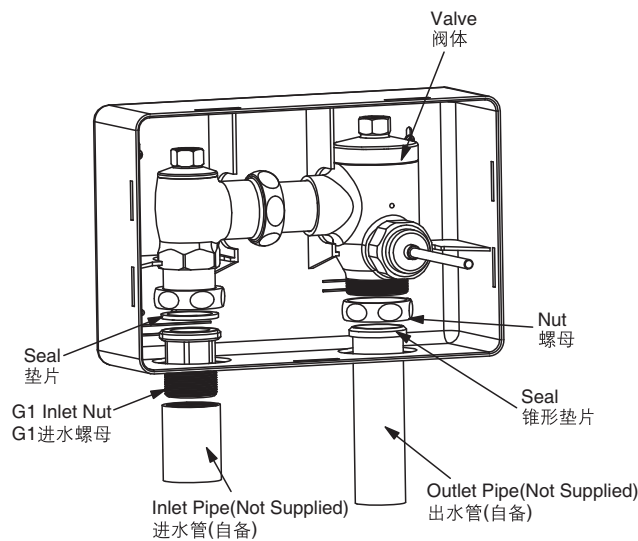


Fig.5  
图5

### 5. Cut and fix tile

Cut tiles as shown in Fig.6.

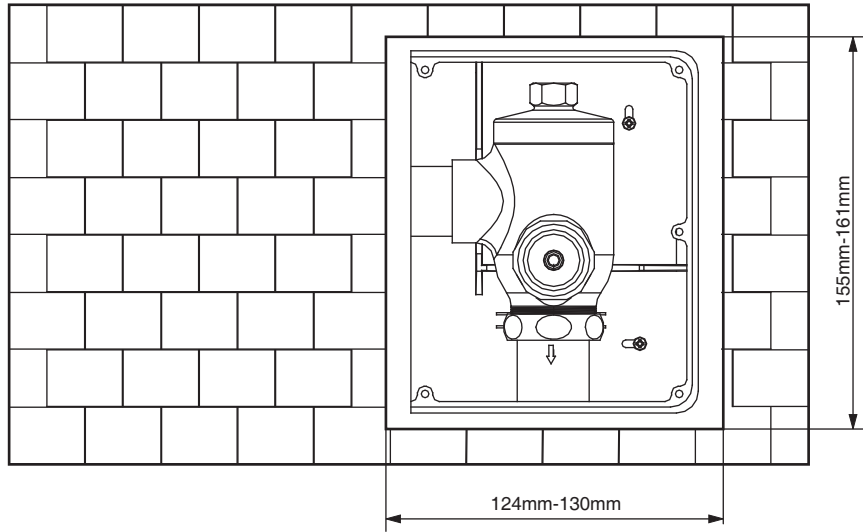


Fig.6  
图6

### 5. 切割瓷砖口并贴瓷砖

根据图6的尺寸切割瓷砖。

### 6. Fix bottom board

- Tighten the 6 screws on the bottom board.
- Cut the rod connector according to the depth into the tile ( $17.8^{+1}_0$ ).
- Fix the rod connector to the valve rod.

**Note:** Do not overtighten the nut to avoid deforming or damaging the bottom board.

- Test run and check the valve after installation.
- Water continues running at flush valve: Check whether the rod is still too long. Continue press the rod with the button to make the valve continue working.
- No water or too little water running from the valve: Check whether the rod is too short.
- Connect the manufacturer for any other problems.

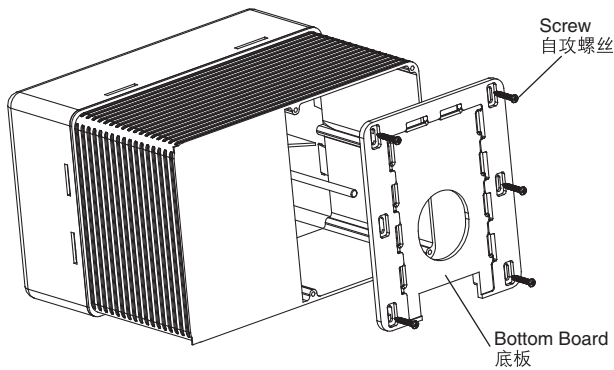


Fig.7  
图7

### 6. 固定底板

- 用6个自攻螺钉锁紧底板;
- 根据盒子安装深度, 切割推杆长度( $17.8^{+1}_0$ );
- 安装推杆接头于阀体组上。

**注意:** 锁紧后的自攻螺钉不可致使底板变形、破裂等异常出现。

- 安装完成后再次试运行工作, 检查产品工作状态:
- 冲洗阀不止水, 确认是否推杆接头切割后, 仍然较长。使按钮持续按压推杆, 致使冲洗阀持续工作;
- 冲洗阀不出水或者流量较小, 确认是否推杆接头切割后, 推杆接头较短, 按压按钮无法触碰推杆接头。
- 如果是其它问题, 请及时联系厂家。

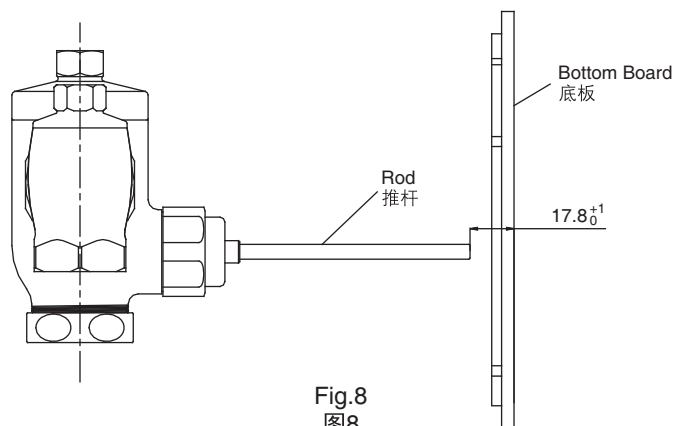


Fig.8  
图8

## 7. Fix faceplate

- Put the faceplate onto the bottom board.
- Pull the faceplate downwards.
- Tighten the rod with L wrench.

**Note:** When removing the faceplate, unscrew the screw 3mm out and push the faceplate 3.5mm upwards to remove it.

## 7. 固定面板组

- 将面板扣在底板上;
- 将扣好的面板下拉;
- 用L型扳手锁紧顶丝。

**注意:** 维修需拆卸面板组时, 顶丝退出面板组外3mm, 然后将面板组沿墙面向上推移3.5mm左右即可将面板组从墙上取出。

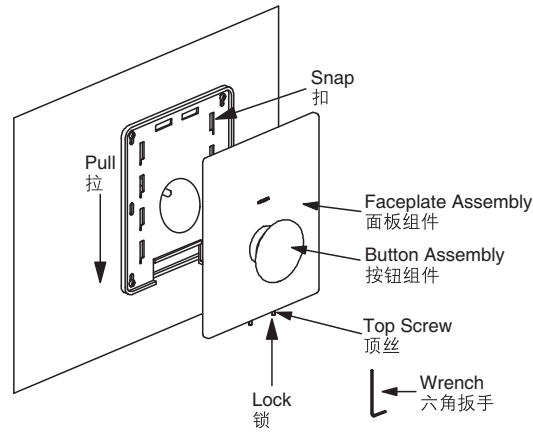


Fig.9  
图9

## 8. Maintenance

Test run and check the valve after installation. Leakage at inlet connector:

- Refer to Fig.7 to check whether the seal is properly installed, nut is tightened and whether the inlet pipe is at proper vertical and horizontal level.
- Leakage at outlet connector: Check whether the surface is smooth, the seal is twisted and the nut is tightened.
- Water cannot be stopped: Press the rod to check whether it can be restored, there is wastes inside and valve assembly is blocked.

## 8. 维修说明书

安装阀体组后, 按压推杆使冲洗阀试运行工作, 检查冲洗阀的各个连接部位能否密封, 能否止水等异常出现:

- 进水接头处漏水, 参照图7确认垫片是否安装好、螺母是否锁紧及进水管道端面平整度和垂直度。
- 出水螺母连接漏水, 需确认出水管外径表面光洁度、锥形垫片是否扭曲及出水螺母是否锁紧。
- 冲洗阀不止水, 需按压杆, 确认是否可正常回位、主体内是否有杂物、活体组件移动是否卡阻。